

National Grid Electricity Distribution

(West Midlands) plc

Use of System Charging Statement

NOTICE OF CHARGES

Effective from 1st April 2027

Version 0.1

This statement is in a form to be approved by the Gas and Electricity Markets Authority.

Version Control

Version	Date	Description of version and any changes made
0.1	February 2026	Published Finals

Contents

1. Introduction	4
Validity period	5
Contact details	5
2. Charge application and definitions	7
The Supercustomer / Aggregate and site-specific billing approaches	7
Supercustomer / Aggregate billing and payment	8
Site-specific billing and payment	9
Components of Charges	10
Allocation of charges	15
Generation charges for pre-2005 designated EHV properties	16
Provision of billing data	17
Out of area use of system charges	17
Licensed distribution network operator charges	17
Licence exempt distribution networks	18
3. Schedule of charges for use of the distribution system	21
4. Schedule of line loss factors	22
Role of line loss factors in the supply of electricity	22
Calculation of line loss factors	22
Publication of line loss factors	23
5. Notes for Designated EHV Properties	24
EDCM FCP Network Group Costs	24
Charges for new Designated EHV Properties	24
Charges for amended Designated EHV Properties	24
Demand-side management	24
6. Electricity distribution rebates	26
7. Accounting and administration services	26
8. Charges for electrical plant provided ancillary to the grant of use of system	26
9. Schedule of fixed adders to recover Supplier of Last Resort and Eligible Bad Debt pass-through costs	26
10. Charges for Non-Final Demand Sites	28
11. Back-up Connections	29
Appendix 1 - Glossary	31
Appendix 2 - Guidance notes	40
Background	40
Meter point administration	40
Your charges	42
Reducing your charges	42
Reactive power and reactive power charges	43
Site-specific EDCM charges	43
Appendix 3 – Non-Final Demand Site Certificate	46
Annex 1 - Schedule of charges for use of the distribution system by LV and HV Designated Properties, and Unmetered Supplies	47
Annex 2 - Schedule of charges for use of the distribution system by Designated EHV Properties (including LDNOs with Designated EHV Properties/end-users)	48
Annex 3 - Schedule of charges for use of the distribution system by preserved/additional LLF classes	63
Annex 4 - Charges applied to LDNOs with LV and HV end-users	64
Annex 5 - Schedule of line loss factors	68
Annex 6 - Charges for New or Amended Designated EHV Properties	69
Annex 7 - Final Supplier of Last Resort and Bad Debt Pass-through Costs	70

1. Introduction

- 1.1. This statement tells you about our charges and the reasons behind them. It has been prepared consistent with Standard Licence Condition 14 of our Electricity Distribution Licence. The main purpose of this statement is to provide our schedule of charges¹ for the use of our Distribution System and to provide the schedule of Line Loss Factors² that should be applied in Settlement to account for losses from the Distribution System. We have also included guidance notes in Appendix 2 to help improve your understanding of the charges we apply.
- 1.2. Within this statement we use terms such as ‘Users’ and ‘Customers’ as well as other terms which are identified with initial capitalisation. These terms are defined in the glossary.
- 1.3. This statement reflects the changes which have been introduced as a result of Market Wide Half Hourly Settlement (MHHS³). Although the existing arrangements will continue to apply for Non-Migrated MPANs, the MHHS arrangements will be effective for any MPAN that has Migrated, any differences in treatment are highlighted throughout the document.
- 1.4. The charges in this statement are calculated using the following methodologies as per the Distribution Connection and Use of System Agreement (DCUSA)⁴:
 - Common Distribution Charging Methodology (CDCM); for Low Voltage (LV) and High Voltage (HV) Designated Properties as per DCUSA Schedule 16;
 - Extra High Voltage (EHV) Distribution Charging Methodology (EDCM); for Designated EHV Properties as per DCUSA Schedule 17;
 - Price Control Disaggregation Model (PCDM); for Discount Percentages used to calculate the LDNO Use of System charges in the CDCM and EDCM as per DCUSA Schedule 29.
- 1.5. Separate charges are calculated depending on the characteristics of the connection and whether the use of the Distribution System is for demand or generation purposes. Where a generation connection is seen to support the Distribution System the charges will be negative and the Supplier will receive credits for exported energy.

¹ Charges can be positive or negative.

² Known as adjustment factors in the Distribution Licence and commonly referred to as Loss Adjustment Factors. The schedule of Line Loss Factors will be provided in a revised statement shortly after the Line Loss Factors for the relevant year have been successfully audited by Elexon.

³ Information relating to the Market wide HH Settlement Programme available from [Home - MHHS Programme](#)

⁴ Distribution and Connection Use of System Agreement (DCUSA) available from [DCUSA Document - DCUSA](#)

- 1.6. The application of charges to premises can usually be referenced using the Line Loss Factor Class (LLFC)/DUoS Tariff ID contained in the charge tables. Further information on how to identify and calculate the charge that will apply for your premises is provided in the guidance notes in Appendix 2.
- 1.7. All charges in this statement are shown **exclusive** of VAT. Invoices will include VAT at the applicable rate.
- 1.8. The annexes that form part of this statement are also available in spreadsheet format⁵. This spreadsheet contains supplementary information used for charging purposes and a simple model to assist you to calculate charges. This spreadsheet can be downloaded from www.nationalgrid.co.uk.

Validity period

- 1.9. This charging statement is valid for services provided from the effective date stated on the front of the statement and remains valid until updated by a revised version or superseded by a statement with a later effective date.
- 1.10. When using this charging statement, care should be taken to ensure that the relevant statement or statements covering the period that is of interest are used.
- 1.11. Notice of any revision to the statement will be provided to Users of our Distribution System (with the exception of updates to Annex 6; New or Amended EHV Sites which will be published as an addendum). The latest statements can be downloaded from www.nationalgrid.co.uk.

Contact details

- 1.12. If you have any questions about this statement, please contact us at this address:

Income Team
National Grid Electricity Distribution
Avonbank, Feeder Rd, Bristol
BS2 0TB
email: nged.pricing@nationalgrid.co.uk

- 1.13. All enquiries regarding connection agreements and changes to maximum capacities should be addressed to:



Connection Policy Engineer
National Grid Electricity Distribution
Herald Way, East Midlands Airport

Castle Donington
Derby
DE74 2TU
email: nged.connections@nationalgrid.co.uk

1.14. For enquiries regarding certification of Non-Final Demand sites, please contact:

Income Team
National Grid Electricity Distribution
Avonbank, Feeder Rd, Bristol
BS2 0TB
email: nged.nonfinaldemand@nationalgrid.co.uk

1.15. For all other queries please contact our general enquiries telephone number: 0800 096 3080; lines are open 08:00 – 18:00 Monday to Friday.

1.16. You can also find us on Facebook  and .

2. Charge application and definitions

2.1. The following section details how the charges in this statement are applied and billed to Users of our Distribution System.

The Supercustomer/Aggregated and site-specific billing approaches

2.2. We utilise two billing approaches depending on the type of metering data received:

- The Supercustomer / Aggregated approach for Customers for whom we receive aggregated consumption data through Settlement; and
- The 'Site-specific' approach for Customers for whom we receive site-specific consumption data through Settlement.

2.3. We receive aggregated consumption data through Settlement for:

Non-Migrated MPANs:

- Domestic and non-domestic Customers for whom Non-Half Hourly (NHH) metering data is used in Settlement (i.e., Customers with MPANs which are registered to Measurement Class A);
- Customers which are unmetered and are not settled as pseudo Half Hourly (HH) metered (i.e., Customers with MPANs which are registered to Measurement Class B);
- Domestic Customers for whom HH metering data is used in Settlement (i.e. Customers with MPANs which are registered to Measurement Class F); and
- Non-domestic Customers for whom HH metering data is used in Settlement and which have whole current (WC) metering (i.e. Customers with MPANs which are registered to Measurement Class G).

Migrated MPANs:

All Customers who have a Connection Type that indicates a Whole Current connection, i.e. with Connection Type 'W'.

2.4. We receive site-specific consumption data through Settlement for:

Non-Migrated MPANs:

- Customers for whom HH metering data is used in Settlement and which have current transformer (CT) metering (i.e. Customers with MPANs which are registered to Measurement Class C or E); and

- Customers which are unmetered and settled as pseudo HH metered (i.e. Customers with MPANs which are registered to Measurement Class D).

Migrated MPANs:

All Customers who have a Connection Type of 'L' Low Voltage, 'H' High Voltage, 'E' Extra-High Voltage or 'U' Unmetered.

Supercustomer / Aggregated billing and payment

- 2.5. The Supercustomer / Aggregated approach makes use of aggregated data obtained from Suppliers using the 'Aggregated Distribution Use of System (DUoS) Report' data flow for Non-Migrated MPANs, and the 'LDSO report for DUoS – aggregated data' message or the 'Embedded Network report for DUoS – aggregated data' message for Migrated MPANs.
- 2.6. Invoices are calculated on a periodic basis and sent to each User for whom we transport electricity through our Distribution System. Invoices are reconciled over a period of approximately 14 months to reflect later and more accurate consumption figures, this will reduce to four months following MHHS implementation).
- 2.7. The charges are applied on the basis of the LLFC/DUoS Tariff ID assigned to the MPAN, and the units consumed within the time periods specified in Annex 1. All LLFCs/DUoS Tariff IDs are assigned at our sole discretion, based on the tariff application rules set out in the appropriate charging methodology or elsewhere in this statement. Please refer to the section "Allocation of Charges' if you believe the allocated LLFC/DUoS Tariff ID or tariff is incorrect.

Supercustomer / Aggregated charges

- 2.8. Supercustomer / Aggregated charges include the following components:
- a fixed charge, pence/MPAN/day, there will only be one fixed charge applied to each MPAN; and
 - unit charges, pence/kilowatt-hour (kWh); three unit charges will apply depending on the time of day and the type of tariff for which the MPAN is registered.
- 2.9. Users who wish to supply electricity to Customers for whom we receive aggregated data through Settlement (see paragraph 2.3) will be allocated the relevant charge structure set out in Annex 1.
- 2.10. Identification of the appropriate charge can be made by cross-reference to the LLFC/DUoS Tariff ID.

- 2.11. For Non-Migrated MPANs the Valid Settlement Profile Class (PC)/Standard Settlement Configuration (SSC)/Meter Timeswitch Code (MTC) combinations for LLFC where the Metering System is Measurement Class A or B are detailed in Market Domain Data (MDD). For Migrated MPANs the appropriate reference data is contained in Industry Standing Data (ISD).
- 2.12. We do not apply a default tariff for invalid combinations.
- 2.13. The 'Domestic Aggregated (related MPAN)' and 'Non-Domestic Aggregated (related MPAN)' charges are supplementary to their respective primary MPAN charge.

Site-specific billing and payment

- 2.14. The site-specific billing and payment approach makes use of HH metering data at premises level received through Settlement.
- 2.15. Invoices are calculated on a periodic basis and sent to each User for whom we transport electricity through our Distribution System. Where an account is based on estimated data, the account shall be subject to any adjustment that may be necessary following the receipt of actual data from the User.
- 2.16. The charges are applied on the basis of the LLFC/DUoS Tariff ID assigned to the MPAN (or the (MSID) for Central Volume Allocation (CVA) sites), and the units consumed within the time periods specified in this statement.
- 2.17. All LLFCs/DUoS Tariff IDs are assigned at our sole discretion, based on the tariff application rules set out in the appropriate charging methodology or elsewhere in this statement. Please refer to the section 'Allocation of Charges' if you believe the allocated LLFC/DUoS Tariff ID or tariff is incorrect. Where an incorrectly applied LLFC/DUoS Tariff ID is identified, we may at our sole discretion apply the correct LLFC/DUoS Tariff ID and/or charges.

Site-specific billed charges

- 2.18. Site-specific billed charges for LV and HV Designated Properties may include the following components:
- a fixed charge, pence/MPAN/day or pence/MSID/day;
 - a capacity charge, pence/kilovolt-ampere (kVA)/day, for Maximum Import Capacity (MIC) and/or Maximum Export Capacity (MEC);
 - an excess capacity charge, pence/kVA/day, if a site exceeds its MIC and/or MEC;

- three unit charges, pence/kWh, depending on the time of day and the type of tariff for which the MPAN is registered; and
 - a reactive power charge, pence/kilovolt-ampere reactive hour (kVArh), for each unit in excess of the reactive charge threshold.
- 2.19. Site-specific billed charges for properties that are under transitional protection arrangements for BSC Modification P432 or MHHS will include only fixed and unit charges, in the same manner as Supercustomer / Aggregate charges, as described in 2.8.
- 2.20. Users who wish to supply electricity to Customers for whom we receive site-specific data through Settlement (see paragraph 2.4) will be allocated the relevant charge structure dependent upon the voltage and location of the Metering Point.
- 2.21. Fixed charges are generally levied on a pence per MPAN/MSID per day basis. Where two or more HH MPANs/MSIDs are located at the same point of connection (as identified in the Connection Agreement), with the same LLFC/DUoS Tariff ID, and registered to the same Supplier, only one daily fixed charge will be applied.
- 2.22. LV and HV Designated Properties will be charged in accordance with the CDCM and allocated the relevant charge structure set out in Annex 1.
- 2.23. Designated EHV Properties will be charged in accordance with the EDCM and allocated the relevant charge structure set out in Annex 2.
- 2.24. Where LV and HV Designated Properties or Designated EHV Properties have more than one point of connection (as identified in the Connection Agreement) then separate charges will be applied to each point of connection.

Components of Charges

Application of Residual Charges

- 2.25. The following sections explain the application of residual charges.

Final Demand Sites

- 2.26. Residual charges are recovered through fixed charges for all Final Demand Sites. All Non-Final Demand Sites must submit a valid certificate, as described in Section 10, and upon receipt of a valid certificate will be allocated to the relevant No Residual tariff.
- 2.27. All Back-up Connections must provide clear supporting documentary evidence to the reasonable satisfaction of the LDNO, as described in Section 11, and upon receipt of sufficient evidence will be allocated to the relevant No Residual tariff.

Residual Charging Bands

- 2.28. Residual charges are applied to Final Demand Sites on a banded basis, with all sites in a given charge band receiving the same residual charge. Domestic customers have a single charging band.
- 2.29. There are four non-domestic charging bands for each of the following groups:
- Designated Properties connected at LV, billing with no MIC;
 - Designated Properties connected at LV, billing with MIC;
 - Designated Properties connected at HV; and
 - Designated EHV Properties.
- 2.30. All non-domestic Final Demand customers are allocated into one of the four charging bands, for each relevant charge structure.
- 2.31. The residual charging band boundaries are calculated nationally based upon data from all LDNOs. The method and timing for calculating the residual charging band boundaries and the method and timing for allocating customers into the residual charging bands are set out in Schedule 32 of DCUSA.
- 2.32. The boundaries for the residual bands can be found in the 'Schedule of charges and other tables' spreadsheet on our website, as well as the mapping between the DUoS Tariff name and TNUOS site charging band.

Time periods

- 2.33. The time periods for the application of unit charges to metered LV and HV Designated Properties are detailed in Annex 1. We have not issued a notice to change the time bands.
- 2.34. The time periods for the application of unit charges to Unmetered Supply Exit Points are detailed in Annex 1. We have not issued a notice to change the time bands.
- 2.35. The time periods for the application of unit charges to Designated EHV Properties are detailed in Annex 2. We have not issued a notice to change the time bands.

Application of capacity charges

- 2.36. The following sections explain the application of capacity charges and exceeded capacity charges.

Chargeable capacity

- 2.37. The chargeable capacity is, for each billing period, the MIC/MEC, as detailed below.

- 2.38. The MIC/MEC will be agreed with us at the time of connection or pursuant to a later change in requirements. Following such an agreement (be it at the time of connection or later) no reduction in MIC/MEC will be allowed for a 12 month period.
- 2.39. Reductions to the MIC/MEC may only be permitted once in a 12 month period. Where the MIC/MEC is reduced the new lower level will be agreed with reference to the level of the Customer's maximum import and/or export demand respectively. The new MIC/MEC will be applied from the start of the next billing period after the date that the request was received. It should be noted that, where a new lower level is agreed, the original capacity may not be available in the future without the need for network reinforcement and associated charges.
- 2.40. In the absence of an agreement, the chargeable capacity, save for error or omission, will be based on the last MIC/MEC that we have previously agreed for the relevant premises' connection. A Customer can seek to agree or vary the MIC/MEC by contacting us using the contact details in section 1.12.

Exceeded capacity

- 2.41. Where a customer takes additional unauthorised capacity over and above the MIC/MEC, the excess will be classed as exceeded capacity. The exceeded portion of the capacity will be charged at the excess capacity charge p/kVA/day rate, based on the difference between the MIC/MEC and the actual capacity used. This will be charged for the full duration of the billing period in which the breach occurs.

Demand exceeded capacity

$$\text{Demand exceeded capacity} = \max(2 \times \sqrt{AI^2 + \max(RI, RE)^2} - MIC, 0)$$

Where:

AI = Active import (kWh)

RI = Reactive import (kVAh)

RE = Reactive export (kVAh)

MIC = Maximum import capacity (kVA)

- 2.42. Only reactive import and reactive export values occurring at times of active import are used in the calculation. Where data for two or more MPANs is aggregated for billing purposes the HH consumption values are summated prior to the calculation above.
- 2.43. This calculation is completed for every half hour and the maximum value from the billing period is applied.

Generation exceeded capacity

$$\text{Generation exceeded capacity} = \max(2 \times \sqrt{AE^2 + \max(RI, RE)^2} - MEC, 0)$$

Where:

AE = Active export (kWh)

RI = Reactive import (kVAh)

RE = Reactive export (kVAh)

MEC = Maximum export capacity (kVA)

- 2.44. Only reactive import and reactive export values occurring at times of active export are used in the calculation. Where data for two or more MPANs is aggregated for billing purposes the HH consumption values occurring at times of kWh export are summated prior to the calculation above.
- 2.45. This calculation is completed for every half hour and the maximum value from the billing period is applied.

Standby capacity for additional security on site

- 2.46. Where standby capacity charges are applied, the charge will be set at the same rate as that applied to normal MIC. Should a customer's request for additional security of supply require the provision of capacity from two different sources, we reserve the right to charge for the capacity held at each source.

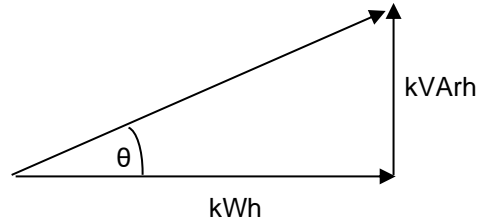
Minimum capacity levels

- 2.47. There is no minimum capacity threshold.

Application of charges for excess reactive power

- 2.48. When an individual HH metered MPAN's reactive power (measured in kVAh) at LV and HV Designated Properties exceeds 33% of its total active power (measured in kWh) in any given half hour, excess reactive power charges will apply. This threshold is equivalent to an average power factor of 0.95 during that half hour. Any reactive units in excess of the 33% threshold are charged at the rate appropriate to the particular charge.
- 2.49. Power Factor is calculated as follows:

$$\text{Cos } \theta = \text{Power Factor}$$



2.50. The chargeable reactive power is calculated as follows:

Demand chargeable reactive power

$$\text{Demand chargeable kVArh} = \max\left(\max(RI, RE) - \left(\sqrt{\left(\frac{1}{0.95^2} - 1\right)} \times AI\right), 0\right)$$

Where:

AI = Active import (kWh)

RI = Reactive import (kVArh)

RE = Reactive export (kVArh)

2.51. Only reactive import and reactive export values occurring at times of active import are used in the calculation. Where data for two or more MPANs is aggregated for billing purposes the HH consumption values are summated prior to the calculation above.

2.52. The square root calculation will be to two decimal places.

2.53. This calculation is completed for every half hour and the values summated over the billing period.

Generation chargeable reactive power

$$\text{Generation chargeable kVArh} = \max\left(\max(RI, RE) - \left(\sqrt{\left(\frac{1}{0.95^2} - 1\right)} \times AE\right), 0\right)$$

Where:

AE = Active export (kWh)

RI = Reactive import (kVArh)

RE = Reactive export (kVArh)

2.54. Only reactive import and reactive export values occurring at times of active export are used in the calculation. Where data for two or more MPANs is aggregated for

billing purposes the HH consumption values are summated prior to the calculation above.

- 2.55. The square root calculation will be to two decimal places.
- 2.56. This calculation is completed for every half hour and the values summated over the billing period.

Allocation of charges

- 2.57. It is our responsibility to apply the correct charges to each MPAN/MSID. The allocation of charges is based on the voltage of connection, import/export details including multiple MPANs, metering information and, for some tariffs, the metering location.
- 2.58. We are responsible for deciding the voltage of connection. Generally, this is determined by where the metering is located and where responsibility for the electrical equipment transfers from us to the connected Customer.
- 2.59. We are also responsible for allocating non-domestic customers into their residual charging bands. Allocation into residual charging bands is determined by consumption for customers billed under the Supercustomer / Aggregated approach and for properties that are under transitional protection arrangements for BSC Modification P432 or MHHS, and by the MIC for all other customers billed under the site-specific approach.
- 2.60. The Supplier determines and provides us with the metering information and data to enable us to allocate charges. The metering information and data is likely to change over time if, for example, a Supplier changes an MPAN from non-domestic to domestic following a change of use at the premise. When we are notified, this has happened we will change the allocation of charges accordingly.
- 2.61. If it has been identified that a charge may have been incorrectly allocated due to the metering information and/or data then a request for investigation should be made to the Supplier.
- 2.62. Where it has been identified that a charge is likely to be incorrectly allocated due to the voltage of connection; import/export details; metering location; or allocation to residual charging band then a request to investigate the applicable charges should be made to us. Requests from persons other than the Customer or the current Supplier must be accompanied by a Letter of Authority from the Customer; the current Supplier must also acknowledge that they are aware a request has been made. Any request must be supported by an explanation of why it is believed that

the current charge should be changed, along with supporting information including, where appropriate, photographs of metering positions or system diagrams. Any request to change the current charge that also includes a request for backdating must include justification as to why it is considered appropriate to backdate the change.

- 2.63. Where a residual charging band allocation cannot be resolved, the dispute process provided within DCUSA Schedule 32 should be followed.
- 2.64. An administration charge (covering our reasonable costs) may be made if a technical assessment or site visit is required, but we will not apply any charge where we agree to the change request.
- 2.65. Where we agree that the current LLFC/DUoS Tariff ID charge should be changed, we will then allocate the appropriate set of charges for the connection. Any adjustment will be applied from the date of the request, back to either the date of the incorrect allocation, or up to the maximum period specified by the Limitation Act (1980) in England and Wales, which covers a six-year period from the date of request; whichever is the shorter.
- 2.66. Any credit or additional charge will be issued to the relevant Supplier(s) effective during the period of the change.
- 2.67. Should we reject the request (as per paragraph 2.62) a justification will be provided to the requesting party. We shall not unreasonably withhold or delay any decision on a request to change the charges applied and would expect to confirm our position on the request within three months of the date of request.

Generation charges for pre-2005 designated EHV properties

- 2.68. Designated EHV Properties that were connected to the Distribution System under a pre-2005 connection charging policy are eligible for exemption from Use of System (UoS) charges for generation unless one of the following criteria has been met:
 - 25 years have passed since their first energisation/connection date (i.e. Designated EHV Properties with Connection Agreements dated prior to 1st April 2005, and for which 25 years has passed since their first energisation/connection date will receive UoS charges for generation from the next charging year following the expiry of their 25 years exemption, (starting 1st April), or
 - the person responsible for the Designated EHV Property has provided notice to us that they wish to opt in to UoS charges for generation.

If a notice to opt in has been provided there will be no further opportunity to opt out.

- 2.69. Furthermore, if an exempt Customer makes an alteration to its export requirement, then the Customer may be liable to be charged for the additional capacity required for energy imported or exported. For example, where a generator increases its export capacity the incremental increase in export capacity will attract UoS charges as with other non-exempt generators.

Provision of billing data

- 2.70. Where HH metering data is required for UoS charging and this is not provided in accordance with the BSC or DCUSA, such metering data shall be provided to us by the User of the system in respect of each calendar month within five working days of the end of that calendar month.
- 2.71. The metering data shall identify the amount of energy conveyed across the Metering System in each half hour of each day and shall separately identify active and reactive import and export. Metering data provided to us shall be consistent with that received through the metering equipment installed.
- 2.72. Metering data shall be provided in an electronic format specified by us from time to time and, in the absence of such specification, metering data shall be provided in a comma-separated text file in the format of data flow D0036⁶ for Non-Migrated MPANs, and the REP-900 message for Migrated MPANs (as agreed with us). The data shall be emailed to nged.duos@nationalgrid.co.uk.
- 2.73. We require details of reactive power imported or exported to be provided for all Measurement Class C and E sites for Non-Migrated MPANs, and for all Migrated MPANs with a Connection Type of 'L', 'H' or 'E'. It is also required for CVA sites and Exempt Distribution Network boundaries with difference metering. We reserve the right to levy a charge on Users who fail to provide such reactive data. In order to estimate missing reactive data, a power factor of 0.9 lag will be applied to the active consumption in any half hour.

Out of area use of system charges

- 2.74. We do not operate networks outside our Distribution Services Area.

Licensed distribution network operator charges

- 2.75. Licensed Distribution Network Operator (LDNO) charges are applied to LDNOs who operate Embedded Networks within our Distribution Services Area.

⁶ Data Transfer Catalogue available from <https://www.electralink.co.uk/dtc-catalogue>

- 2.76. The charge structure for LV and HV Designated Properties embedded in networks operated by LDNOs will mirror the structure of the 'All-the-way' charge and is dependent upon the voltage of connection of each embedded network to our Distribution System. The relevant charge structures are set out in Annex 4.
- 2.77. We do not apply a default tariff for invalid combinations.
- 2.78. The charge structure for Designated EHV Properties embedded in networks operated by LDNOs will be calculated individually using the EDCM. The relevant charge structures are set out in Annex 2.
- 2.79. For Nested Networks the relevant charging principles set out in DCUSA Schedule 21 will apply.

Licence exempt distribution networks

- 2.80. The Electricity and Gas (Internal Market) Regulations 2011⁷ introduced obligations on owners of licence exempt distribution networks (sometimes called private networks) including a duty to facilitate access to electricity and gas suppliers for Customers within those networks.
- 2.81. When Customers (both domestic and commercial) are located within a licence exempt distribution network and require the ability to choose their own Supplier this is called 'third party access'. These embedded Customers will require an MPAN so that they can have their electricity supplied by a Supplier of their choice.
- 2.82. Licence exempt distribution networks owners can provide third party access using either full settlement metering or the difference metering approach⁸.

Full settlement metering

- 2.83. This is where a licence exempt distribution network is set up so that each embedded installation has an MPAN and Metering System and therefore all Customers purchase electricity from their chosen Supplier. In this case there are no Settlement Metering Systems at the boundary between the licensed Distribution System and the licence exempt distribution network.
- 2.84. In this approach our UoS charges will be applied to each MPAN.

⁷ The Electricity and Gas (Internal Market) Regulations 2011 available from <http://www.legislation.gov.uk/uksi/2011/2704/contents/made>

⁸ Elexon's guide is available from <https://bscdocs.elexon.co.uk/guidance-notes/third-party-access-to-licence-exempt-distribution-networks>

Difference metering

2.85. This is where one or more, but not all, Customers on a licence exempt distribution network choose their own Supplier for electricity supply to their premises. Under this approach, the Customers requiring third party access on the licence exempt distribution network will have their own MPAN and must have a HH Metering System.

Shared Metering

2.86. This is where one or more Customers on a licence exempt distribution network choose their own Supplier for electricity supply to their premises, and the active import and/or active export meter readings at the boundary are apportioned between the Suppliers. Under this approach, the Customers requiring third party access on the licence exempt distribution network will have their own MPAN and must have a HH Metering System.

2.87. In this approach our UoS charges will be applied to each MPAN.

Gross settlement

2.88. Where one of our MPANs (Prefix 14) is embedded within a licence exempt distribution network connected to our Distribution System, and difference metering is in place for Settlement purposes and we receive gross measurement data for the boundary MPAN, we will continue to charge the boundary MPAN Supplier for use of our Distribution System. No charges will be levied by us directly to the Customer or Supplier of the embedded MPAN(s) connected within the licence exempt distribution network.

2.89. We require that gross metered data for the boundary of the connection is provided to us. Until a new industry data flow is introduced for the sending of such gross data, gross metered data shall:

- be provided in a text file in the format of the D0036 data flow;
- the text file shall be emailed to nged.duos@nationalgrid.co.uk;
- the title of the email should also contain the phrase “gross data for difference metered private network” and contain the metering reference specified by us in place of the Settlement MPAN; and
- the text filename shall be formed of the metering reference specified by us followed by a hyphen and followed by a timestamp in the format YYYYMMDDHHMMSS and followed by “.txt”.

2.90. For the avoidance of doubt, the reduced difference metered measurement data for the boundary connection that is to enter Settlement should continue to be sent using the Settlement MPAN.

Net settlement

2.91. Where one of our MPANs (Prefix 14) is embedded within a licence exempt distribution network connected to one of our Distribution Systems, and difference metering is in place for Settlement purposes, and we do **not** receive gross measurement data for the boundary MPAN, we will charge the boundary MPAN Supplier based on the net measurement for use of our Distribution System. Charges will also be levied directly to the Supplier of the embedded MPAN(s) connected within the licence exempt distribution network based on the actual data received.

3. Schedule of charges for use of the distribution system

- 3.1. Tables listing the charges for use of our Distribution System are published in annexes to this document.
- 3.2. These charges are also listed in a spreadsheet which is published with this statement and can be downloaded from www.nationalgrid.co.uk.
- 3.3. Annex 1 contains the charges applied to LV and HV Designated Properties.
- 3.4. Annex 2 contains the charges applied to our Designated EHV Properties and charges applied to LDNOs for Designated EHV Properties connected to their Distribution Systems.
- 3.5. Annex 3 contains details of any preserved and additional charges that are valid at this time. Preserved charges are mapped to an appropriate charge and are closed to new Customers.
- 3.6. Annex 4 contains the charges applied to LDNOs in respect of LV and HV Designated Properties connected to their Distribution Systems.

4. Schedule of line loss factors

Role of line loss factors in the supply of electricity

- 4.1. Electricity entering or exiting our Distribution System is adjusted to take account of energy that is lost⁹ as it is distributed through the network. This adjustment does not affect distribution charges but is used in energy settlement to take metered consumption to a notional Grid Supply Point so that Suppliers' purchases take account of the energy lost on the Distribution System.
- 4.2. We are responsible for calculating the Line Loss Factors (LLFs) and providing these to Elexon. Elexon is the company that manages the BSC.
- 4.3. LLFs are used to adjust the Metering System volumes to take account of losses on the Distribution System.

Calculation of line loss factors

- 4.4. LLFs are calculated in accordance with BSCP128, which sets out the procedure and principles with which our LLF methodology must comply. It also defines the procedure and timetable by which LLFs are reviewed and submitted.
- 4.5. LLFs are calculated for a set number of time periods during the year using either a generic or site-specific method. The generic method is used for sites connected at LV or HV and the site-specific method is used for sites connected at EHV or where a request for site-specific LLFs has been agreed. Generic LLFs will be applied as a default to all new EHV sites until sufficient data is available for a site-specific calculation.

Where the usage profile for a given site contains insufficiently large consumption or generation volumes to enable calculation of realistic site-specific LLFs then a default calculation, or default replacement process shall be undertaken.

A default replacement process shall be deemed to have been undertaken if a generic methodology is used where the following applies:

- (a) A Site has multiple connections to the total system and the primary connection is at EHV but there is a subordinate connection that is not connected at EHV, then a generic methodology may be used for the subordinate connection (even if a site-specific LLF is used for the Site's primary connection); and

⁹ Energy can be lost for technical and non-technical reasons and losses normally occur by heat dissipation through power flowing in conductors and transformers. Losses can also reduce if a customer's action reduces power flowing in the distribution network. This might happen when a customer generates electricity and the produced energy is consumed locally.

(b) The connection has a capacity of less than or equal to 1MVA

The definition of EHV used for LLF purposes differs from the definition used for defining Designated EHV Properties in the EDCM. The definition used for LLF purposes can be found in our LLF methodology, which can be found on the Elexon website¹⁰.

Publication of line loss factors

- 4.6. The LLFs used in Settlement are published on the Elexon Portal¹¹. The website contains the LLFs in standard industry data formats and in a summary form. A user guide with details on registering and using the portal is also available.
- 4.7. BSCP128 sets out the timetable by which LLFs are submitted and audited. The submission and audit occurs between September and December in the year prior to the LLFs becoming effective. Only after the completion of the audit at the end of December and BSC approval are the final LLFs published.
- 4.8. As this statement is published a complete year before the LLFs for the charging year have been produced, Annex 5 is intentionally left blank. This statement will be reissued with Annex 5 populated once the LLFs have been calculated and audited. This should typically be more than three months prior to the statement coming into force.
- 4.9. When using the tables in Annex 5, reference should be made to the LLFC allocated to a Non-Migrated MPAN or to the DUoS Tariff ID allocated to a Migrated MPAN to find the appropriate values.

¹⁰ BSCP128: Production, Submission, Audit and Approval of Line Loss Factors
<https://www.elexon.co.uk/csd/bscp128-production-submission-audit-and-approval-of-line-loss-factors/>

¹¹ The Elexon Portal can be accessed from www.elexonportal.co.uk

5. Notes for Designated EHV Properties

EDCM FCP network group costs

- 5.1. A table is provided in the accompanying spreadsheet which shows the underlying Forward Cost Pricing (FCP) network group costs used to calculate the current EDCM charges. This spreadsheet is available to download from our website www.nationalgrid.co.uk.
- 5.2. These are illustrative of the modelled costs at the time that this statement was published. A new connection will result in changes to current network utilisations, which will then form the basis of future prices. The charge determined in this statement will not necessarily be the charge in subsequent years because of the interaction between new and existing network connections and any other changes made to our Distribution System which may affect charges.

Charges for new Designated EHV Properties

- 5.3. Charges for any new Designated EHV Properties calculated after publication of the current statement will be published on our website in an addendum to that statement as and when necessary. The addendum will include charge information of the type found in Annex 2, and LLFs as found in Annex 5.
- 5.4. The form of the addendum is detailed in Annex 6 to this statement.
- 5.5. The new Designated EHV Properties' charges will be added to Annex 2 in the next full statement released.

Charges for amended Designated EHV Properties

- 5.6. Where an existing Designated EHV Property is modified and energised in the charging year, we may revise the EDCM charges for the modified Designated EHV Property. If revised charges are appropriate, an addendum will be sent to all relevant parties and published as a revised 'Schedule of Charges and other tables' spreadsheet on our website. The modified Designated EHV Property charges will be added to Annex 2 in the next full statement released.

Demand-side management

- 5.7. New or existing Designated EHV Property Customers may wish to offer part of their MIC to be interruptible by us (for active network management purposes other than normal planned or unplanned outages) in order to benefit from any reduced UoS charges calculated using the EDCM.

- 5.8. Several options exist in which we may agree for some or the entire MIC to be interruptible. Under the EDCM the applicable demand capacity costs would be based on the MIC minus the capacity subject to interruption.
- 5.9. If you are interested in making part or all of your MIC interruptible as an integral irrevocable feature of a new connection or modification to an existing connection you should in the first instance, contact our connections function;
- Online at <https://connections.nationalgrid.co.uk>
 - By email at nged.newsupplies@nationalgrid.co.uk
 - By telephone on 0800 0963080

You must make an express statement in your application that you have an interest in some or all of the import capacity being interruptible for active network management purposes.

- 5.10. If you are proactively interested in voluntarily but revocably offering to make some or all of your existing connection's MIC interruptible you should in the first instance, contact our Income Manager at the address in paragraph 1.13.
- 5.11. No adjustments are made in the EDCM for interruptible Maximum Export Capacity under Generation Side Management (GSM) agreements.
- 5.12. We also engage flexibility services from customers on a commercial basis, without adjustments in the EDCM. If you are interested in offering such services, please visit <https://www.flexiblepower.co.uk> or contact nged.flexiblepower@nationalgrid.co.uk

6. Electricity distribution rebates

- 6.1. We have neither given nor announced any DUoS rebates to Users in the 12 months preceding the date of publication of this version of the statement.

7. Accounting and administration services

- 7.1. We reserve the right to impose payment default remedies. The remedies are as set out in DCUSA where applicable or else as detailed in the following paragraph.
- 7.2. If any invoices that are not subject to a valid dispute remain unpaid on the due date, late payment interest (calculated at base rate plus 8%) and administration charges may be imposed.
- 7.3. Our administration charges are detailed in the following table. These charges are set at a level which is in line with the Late Payment of Commercial Debts Act;

Size of Unpaid Debt	Late Payment Fee
Up to £999.99	£40.00
£1,000 to £9,999.99	£70.00
£10,000 or more	£100.00

8. Charges for electrical plant provided ancillary to the grant of use of system

- 8.1. None.

9. Schedule of fixed adders to recover Supplier of Last Resort and Eligible Bad Debt pass-through costs

Supplier of Last Resort

- 9.1. In accordance with Standard Condition 38B 'Last Resort Supply Payment Claims' ('SLC38B') and Special Condition 6 'Pass-through expenditure' ('SpC6') of our Electricity Distribution Licence, our charges will recover the amount of payments in Regulatory Year t made in response to Last Resort Supply Payment claims.

Eligible Bad Debt

- 9.2. In accordance with SpC6, our charges will recover the amount of use of system bad debt the Authority has consented to be recovered. This represents use of system bad debt our charges are recovering on behalf of Independent Distribution Network

Operators (IDNOs), in accordance with Standard Licence Condition 38C 'Treatment of Valid Bad Debt Claims' ('SLC38C'), and specifically paragraph 4 of that condition.

Tables of Fixed Adders

- 9.3. Tables listing the charges to recover Supplier of Last Resort and Eligible Bad Debt pass-through costs are published in Annex 7 to this document. The charges are shown for information only and are already included in the final charges.

10. Non-Final Demand Sites

Charges for Non-Final Demand Sites

10.1. A Non-Final Demand Site is charged an import tariff that excludes the residual cost element of charges. If the User wishes for a property to qualify for allocation to these tariffs, then the User must submit certification declaring that the property meets the required criteria as per DCUSA.

Process for submitting certification

10.2. This certification should take the form as set out in Appendix 3 and be submitted to us using the contact details in 1.133.

We may, at our discretion, request a signed paper certificate from the User, in place of electronic. If requested, paper certification should be posted to the contact details in 1.13.

10.3. Users should undertake reasonable endeavours to ensure the facts attested to in the certification are true. We may request documentation evidencing these endeavours, including where appropriate, photographs of metering positions or system diagrams, following receipt of the certification.

10.4. If we determine that the documentation provided does not sufficiently evidence the undertaking of reasonable endeavours, does not support the facts attested to in the certification, or if no documentation is received, we may at our discretion reject the certification as invalid. If the certification is rejected as invalid, then the property will not qualify as a Non-Final Demand Site.

Application of charges for Non-Final Demand Sites

10.5. A property will only be deemed to qualify as a Non-Final Demand Site, and be allocated charges as such, from the date on which we receive valid certification.

10.6. If a property that has previously been certified as a Non-Final Demand Site no longer satisfies the criteria as per DCUSA, then the User must inform us immediately.

10.7. For a property that has been previously certified as a Non-Final Demand Site, we will continue to apply the relevant no residual import tariff without the requirement for further certification, except in any one of the following circumstances:

- Where we have reason to believe that the property no longer qualifies as a Non-Final Demand Site; or
- Significant time has passed since the certification was submitted; or
- Where there is a change to the connection characteristics i.e. capacity change.

If such circumstances occur, we may request re-certification of the site, or reject the certification as invalid at our discretion.

10.8. When a property no longer meets the required criteria to qualify as a Non-Final Demand Site, we will change the allocation of charges accordingly from that point.

10.9. Please refer to the section 'Incorrectly allocated charges' if you believe the property has been incorrectly not allocated charges as a Non-Final Demand Site.

11. Back-up Connections

Charges for Back-up Connections

11.1. A Back-up Connection is charged an import tariff that excludes the residual cost element of charges. If the User wishes for a MPAN/MSID to qualify for allocation to these tariffs, then the User must provide evidence necessary to satisfy the definition of Back-up Connection as per DCUSA.

Process for providing evidence

11.2. Users should undertake reasonable endeavours to ensure the facts attested to in the request are true. We may request documentation evidencing these endeavours, including where appropriate, photographs of metering positions or system diagrams.

11.3. If we determine that the documentation provided does not sufficiently evidence the undertaking of reasonable endeavours, does not support the facts attested to in the request, or if no documentation is received, we may at our discretion reject the evidence as invalid. If the evidence is rejected as invalid, then the property will not qualify as a Back-up Connection.

Application of charges for Back-up Connections

11.4. A MPAN/MSID will only be deemed to qualify as a Back-up Connection, and be allocated charges as such, from the first of the month following the date on which we receive valid evidence.

11.5. If a MPAN/MSID that has previously been appointed as a Back-up Connection no longer satisfies the criteria as per DCUSA, then the User must inform us immediately.

11.6. For a MPAN/MSID that has been previously certified as a Back-up Connection, we will continue to apply the relevant no residual import tariff without the requirement for further certification, except in any one of the following circumstances:

- Where we have reason to believe that the MPAN/MSID no longer qualifies as a Back-up Connection; or

- Significant time has passed since the evidence was submitted; or
- Where there is a change to the connection characteristics i.e. capacity change.

If such circumstances occur, we may request evidence to be provided again for the site, or reject the evidence as invalid at our discretion.

11.7. When a MPAN/MSID no longer meets the required criteria to qualify as a Back-up Connection, we will change the allocation of charges accordingly from that point.

11.8. Please refer to the section 'Incorrectly allocated charges' if you believe the MPAN/MSID has been incorrectly not allocated charges as a Back-up Connection.

Appendix 1 - Glossary

1.1. The following definitions, which can extend to grammatical variations and cognate expressions, are included to aid understanding:

Term	Definition
All-the-way Charge	A charge that is applicable to an end user rather than an LDNO. An end user in this context is a Supplier/User who has a registered MPAN or MSID and is using the Distribution System to transport energy on behalf of a Customer.
Back-up Connection	As defined in DCUSA Schedule 32.
Balancing and Settlement Code (BSC)	The BSC contains the governance arrangements for electricity balancing and settlement in Great Britain. An overview document is available from www.elexon.co.uk/ELEXON Documents/trading_arrangements.pdf .
Balancing and Settlement Code Procedure (BSCP)	A document of that title, as established or adopted and from time to time modified by the Panel in accordance with The Code, setting out procedures to be complied with (by Parties, Party Agents, BSC Agents, BSCCo, the Panel and others) in, and other matters relating to, the implementation of The Code;
Common Distribution Charging Methodology (CDCM)	The CDCM used for calculating charges to Designated Properties as required by standard licence condition 13A of the Electricity Distribution Licence.
Connection Agreement	An agreement between an LDNO and a Customer which provides that that Customer has the right for its connected installation to be and remain directly or indirectly connected to that LDNO's Distribution System
Central Volume Allocation (CVA)	As defined in the BSC.
Connection Type	Defines the physical connection as one of four valid types for metered supplies: 'W' Whole Current; 'L' Low Voltage (LV) Current Transformer; 'H' High Voltage (HV) Current Transformer; or 'E' Extra High Voltage (EHV) Current Transformer (E). It will also include a value of 'U' for unmetered connections.

Term	Definition
Customer	<p>A person to whom a User proposes to supply, or for the time being supplies, electricity through an exit point, or from who, a User or any relevant exempt supplier, is entitled to recover charges, compensation or an account of profits in respect of electricity supplied through an exit point;</p> <p>Or</p> <p>A person from whom a User purchases, or proposes to purchase, electricity, at an entry point (who may from time to time be supplied with electricity as a Customer of that User (or another electricity supplier) through an exit point).</p>
Designated EHV Properties	As defined in standard condition 13B of the Electricity Distribution Licence.
Designated Properties	As defined in standard condition 13A of the Electricity Distribution Licence.
Distribution Connection and Use of System Agreement (DCUSA)	<p>The DCUSA is a multi-party contract between the licensed electricity distributors, suppliers, generators and Offshore Transmission Owners of Great Britain.</p> <p>It is a requirement that all licensed electricity distributors and suppliers become parties to the DCUSA.</p>

Distributor IDs	These are unique IDs that can be used, with reference to the MPAN, to identify your LDNO. The charges for other network operators can be found on their website.		
	ID	Distribution Service Area	Company
	10	East of England	UK Power Networks
	11	East Midlands	National Grid Electricity
	12	London	UK Power Networks
	13	Merseyside and North Wales	Scottish Power
	14	Midlands	National Grid Electricity
	15	Northern	Northern Powergrid
	16	North Western	Electricity North West
	17	Scottish Hydro Electric (and embedded networks in other areas)	Scottish Hydro Electric Power Distribution plc
	18	South Scotland	Scottish Power
	19	South East England	UK Power Networks
	20	Southern Electric (and embedded networks in other areas)	Southern Electric Power Distribution plc
	21	South Wales	National Grid Electricity
	22	South Western	National Grid Electricity
	23	Yorkshire	Northern Powergrid
	24	All	Independent Power Networks
	25	All	ESP Electricity
	26	All	Energetics Electricity Ltd
	27	All	The Electricity Network Company Ltd
	29	All	Harlaxton Energy Networks
	30	All	Peel Electricity Networks Ltd
	31	All	UK Power Distribution Ltd
	32	All	Energy Assets Networks Limited
	33	All	Eclipse Power Networks Ltd
	34	All	Murphy Power Distribution Ltd
	35	All	Fulcrum Electricity Assets Ltd
	36	All	Vattenfall Networks Ltd
	37	All	Forbury Assets Limited
	38	All	Indigo Power Limited
	39	All	Stark Infra-Electricity Ltd

Term	Definition																								
	<table border="1"> <tr> <td data-bbox="619 239 692 282">40</td> <td data-bbox="692 239 1038 282">All</td> <td data-bbox="1038 239 1362 282">Utility Assets Limited</td> </tr> <tr> <td data-bbox="619 282 692 383">42</td> <td data-bbox="692 282 1038 383">All</td> <td data-bbox="1038 282 1362 383">Advanced Electricity Networks</td> </tr> <tr> <td data-bbox="619 383 692 425">43</td> <td data-bbox="692 383 1038 425">All</td> <td data-bbox="1038 383 1362 425">IDCSL</td> </tr> <tr> <td data-bbox="619 425 692 468">45</td> <td data-bbox="692 425 1038 468">All</td> <td data-bbox="1038 425 1362 468">Aurora Utilities Limited</td> </tr> <tr> <td data-bbox="619 468 692 510">46</td> <td data-bbox="692 468 1038 510">All</td> <td data-bbox="1038 468 1362 510">Aidien Limited</td> </tr> <tr> <td data-bbox="619 510 692 584">47</td> <td data-bbox="692 510 1038 584">All</td> <td data-bbox="1038 510 1362 584">Vital Energi Power Networks</td> </tr> <tr> <td data-bbox="619 584 692 658">48</td> <td data-bbox="692 584 1038 658">All</td> <td data-bbox="1038 584 1362 658">E.ON UK Network Assets Limited</td> </tr> <tr> <td data-bbox="619 658 692 701">51</td> <td data-bbox="692 658 1038 701">All</td> <td data-bbox="1038 658 1362 701">AGR Networks Ltd</td> </tr> </table>	40	All	Utility Assets Limited	42	All	Advanced Electricity Networks	43	All	IDCSL	45	All	Aurora Utilities Limited	46	All	Aidien Limited	47	All	Vital Energi Power Networks	48	All	E.ON UK Network Assets Limited	51	All	AGR Networks Ltd
40	All	Utility Assets Limited																							
42	All	Advanced Electricity Networks																							
43	All	IDCSL																							
45	All	Aurora Utilities Limited																							
46	All	Aidien Limited																							
47	All	Vital Energi Power Networks																							
48	All	E.ON UK Network Assets Limited																							
51	All	AGR Networks Ltd																							
Distribution Network Operator (DNO)	An electricity distributor that operates one of the 14 distribution services areas and in whose Electricity Distribution Licence the requirements of Section B of the standard conditions of that licence have effect.																								
Distribution Services Area	The area specified by the Gas and Electricity Markets Authority within which each DNO must provide specified distribution services.																								
Distribution System	<p>The system consisting (wholly or mainly) of electric lines owned or operated by an authorised distributor that is used for the distribution of electricity from:</p> <ul style="list-style-type: none"> • Grid Supply Points or generation sets or other entry points <p>to the points of delivery to:</p> <ul style="list-style-type: none"> • Customers or Users or any transmission licensee in its capacity as operator of that licensee's transmission system or the Great Britain (GB) transmission system and includes any remote transmission assets (owned by a transmission licensee within England and Wales) that are operated by that authorised distributor and any electrical plant, electricity meters, and metering equipment owned or operated by it in connection with the distribution of electricity, but does not include any part of the GB transmission system. 																								
DUoS Tariff Id	An identifier assigned to an SVA metering system which is used to assign the use of system charges for Migrated MPANs																								
EHV Distribution Charging Methodology (EDCM)	The EDCM used for calculating charges to Designated EHV Properties as required by standard licence condition 13B of the Electricity Distribution Licence.																								
Electricity Distribution Licence	The Electricity Distribution Licence granted or treated as granted pursuant to section 6(1) of the Electricity Act 1989.																								
Electricity Distributor	Any person who is authorised by an Electricity Distribution Licence to distribute electricity.																								

Term	Definition
Embedded Network	An electricity Distribution System operated by an LDNO and embedded within another Distribution System.
Embedded Network report for DUoS – aggregated data	A report of data by IDNO's DUoS Tariff ID and by IDNO providing counts of MPANs and units consumed
Engineering Recommendation P2/6	A document of the Energy Networks Association, which defines planning standards for security of supply and is referred to in Standard Licence Condition 24 of the Electricity Distribution Licence.
Entry Point	A boundary point at which electricity is exported onto a Distribution System from a connected installation or from another Distribution System, not forming part of the total system (boundary point and total system having the meaning given to those terms in the BSC).
Exit Point	A point of connection at which a supply of electricity may flow from the Distribution System to the Customer's installation or User's installation or the Distribution System of another person.
Extra High Voltage (EHV)	Nominal voltages of 22kV and above.
Final Demand Site	As defined in DCUSA Schedule 32.
Gas and Electricity Markets Authority (GEMA)	As established by the Utilities Act 2000.
Grid Supply Point (GSP)	A metered connection between the National Grid Electricity Transmission system and the licensee's distribution system at which electricity flows to or from the Distribution System.
GSP group	A distinct electrical system that is supplied from one or more GSPs for which total supply into the GSP group can be determined for each half hour.
High Voltage (HV)	Nominal voltages of at least 1kV and less than 22kV.
Industry Standing Data (ISD)	Industry Standing Data (ISD) is the reference data used in Settlement processes under MHHS.
Invalid Settlement Combination	A Settlement combination that is not recognised as a valid combination in market domain data - see https://www.elexonportal.co.uk/MDDVIEWER .
kVA	Kilovolt ampere.
kVArh	Kilovolt ampere reactive hour.
kW	Kilowatt.
kWh	Kilowatt hour (equivalent to one "unit" of electricity).
LDSO report for DUoS – aggregated data	A report of data by DUoS Tariff ID and Supplier providing counts of MPANs and units consumed

Term	Definition
Licensed Distribution Network Operator (LDNO)	The holder of a Licence to distribute electricity.
Line Loss Factor (LLF)	The factor that is used in Settlement to adjust the metering system volumes to take account of losses on the distribution system.
Line Loss Factor Class (LLFC)	An identifier assigned to an SVA metering system which is used to assign the LLF and use of system charges for Non-Migrated MPANs.
Load Factor	$= \frac{\text{annual consumption (kWh)}}{\text{maximum demand (kW)} \times \text{hours in year}}$
Low Voltage (LV)	Nominal voltages below 1kV.
LV Substation Tariff	This tariff applies as described in DCUSA Schedule 16 Section 141, Note 3, where the metering CT is within 10m by cable route of the HV/LV substation transformation chamber.
Market Domain Data (MDD)	MDD is a central repository of reference data available to all Users involved in Settlement. It is essential to the operation of SVA trading arrangements. More information can be found here Market Domain Data - Elexon BSC
Market Segment	<p>Market Segment is derived from the Meter Type and Connection Type using a defined set of business rules.</p> <p>There are three Market Segments:</p> <ul style="list-style-type: none"> • Smart and Non-Smart (Including Smart Meters with Settlement Period level data available, Smart Meters with only Register Readings available and Non-Smart Meters with Register Readings); • Advanced (which are Advanced Metering Systems with Settlement Period level data available); • Unmetered
Market-Wide HH Settlement (MHHS)	Market-wide Half-Hourly Settlement (MHHS) is a key enabler of the flexibility to support the transition to Net Zero. The MHHS Programme will contribute to a more cost-effective electricity system, encouraging more flexible use of energy and helping consumers lower their bills.
Maximum Export Capacity (MEC)	The MEC of apparent power expressed in kVA that has been agreed can flow through the entry point to the Distribution System from the Customer's installation as specified in the connection agreement.
Maximum Import Capacity (MIC)	The MIC of apparent power expressed in kVA that has been agreed can flow through the exit point from the Distribution System to the Customer's installation as specified in the connection agreement.

Term	Definition
Measurement Class	<p>A classification of Metering Systems used in the BSC which indicates how consumption is measured, i.e.:</p> <ul style="list-style-type: none"> • Measurement Class A – non-half hourly metering equipment; • Measurement Class B – non-half hourly unmetered supplies; • Measurement Class C – half hourly metering equipment at or above 100kW premises; • Measurement Class D – half hourly unmetered supplies; • Measurement Class E – half hourly metering equipment below 100kW premises with CT; • Measurement Class F – half hourly metering equipment at below 100kW premises with CT or whole current, and at domestic premises; and • Measurement Class G – half hourly metering equipment at below 100kW premises with whole current and not at domestic premises.
Meter Timeswitch Code (MTC)	<p>MTCs are three digit codes allowing suppliers to identify the metering installed in Customers' premises. They indicate whether the meter is single or multi-rate, pre-payment or credit, or whether it is 'related' to another meter. Further information can be found in MDD.</p>
Metering Point	<p>The point at which electricity that is exported to or imported from the licensee's Distribution System is measured, is deemed to be measured, or is intended to be measured and which is registered pursuant to the provisions of the REC. For the purposes of this statement, GSPs are not 'Metering Points'.</p>
Metering Point Administration Number (MPAN)	<p>A number relating to a Metering Point under the REC.</p>
Metering System	<p>Particular commissioned metering equipment installed for the purposes of measuring the quantities of exports and/or imports at the exit point or entry point.</p>
Metering System Identifier (MSID)	<p>MSID is a term used throughout the BSC and its subsidiary documents and has the same meaning as MPAN as used under the REC.</p>
Migrated MPANs	<p>Migration refers to the process by which MPANs are migrated from the legacy arrangements to the new MHHS arrangements.</p>
Nested Networks	<p>This refers to a situation where there is more than one level of Embedded Network and therefore nested Distribution Systems between LDNOs (e.g. host DNO → primary nested DNO → secondary nested DNO → customer).</p>
Non-Final Demand (NFD) Site	<p>As defined in DCUSA Schedule 32.</p>
Non-Migrated MPANs	<p>This refers to the status when an MPAN is on the legacy arrangements and before migrating under MHHS.</p>

Term	Definition
Ofgem	Office of Gas and Electricity Markets – Ofgem is governed by GEMA and is responsible for the regulation of the distribution companies.
Profile Class (PC)	A categorisation applied to NHH MPANs and used in settlement to group customers with similar consumption patterns to enable the calculation of consumption profiles.
Retail Energy Code (REC)	A code that consolidates the switching arrangements historically set out in the Master Registration Agreement (MRA) and the Supply Point Administration Agreement (SPAA) (for gas) into one dual-fuel code. Provides a governance mechanism to manage the processes established between electricity suppliers and distribution companies to enable electricity suppliers to transfer customers. It includes terms for the provision of Metering Point Administration Services (MPAS) Registrations.
Settlement	The determination and settlement of amounts payable in respect of charges (including reconciling charges) in accordance with the BSC.
Settlement Class (SC)	The combination of Profile Class, Line Loss Factor Class, Time Pattern Regime and Standard Settlement Configuration, by Supplier within a GSP group and used for Settlement.
Standard Settlement Configuration (SSC)	A standard metering configuration relating to a specific combination of Time Pattern Regimes.
Supercustomer	The method of billing Users for use of system on an aggregated basis, grouping together consumption and standing charges for all similar NHH metered Customers or aggregated HH metered Customers. Also referred to as Aggregate billing.
Supercustomer DUoS Report	A report of profiled data by Settlement Class providing counts of MPANs and units consumed.
Supplier	An organisation with a supply licence responsible for electricity supplied to and/or exported from a metering point.
Supplier Volume Allocation (SVA)	As defined in the BSC.
Time Pattern Regime (TPR)	The pattern of switching behaviour through time that one or more meter registers follow.
Unmetered Supplies	Exit points deemed to be suitable as unmetered supplies as permitted in the Electricity (Unmetered Supply) Regulations 2001 and where operated in accordance with BSC procedure 520 ¹² .
Use of System Charges	Charges which are applicable to those parties which use the Distribution System.

¹² Balancing and Settlement Code Procedures are available from <http://www.elexon.co.uk/pages/bscps.aspx>

Term	Definition
User	Someone that has a use of system agreement with the DNO e.g. a supplier, generator or other LDNO.

Appendix 2 - Guidance notes¹³

Background

- 1.1. The electricity bill from your Supplier contains an element of charge to cover electricity distribution costs. This distribution charge covers the cost of operating and maintaining a safe and reliable Distribution System that forms the 'wires' that transport electricity between the national transmission system and end users such as homes and businesses. Our Distribution System includes overhead lines, underground cables, as well as substations and transformers.
- 1.2. In most cases, your Supplier is invoiced for the distribution charge and this is normally part of your total bill. In some cases, for example business users, the Supplier may pass through the distribution charge as an identifiable line item on the electricity bill.
- 1.3. Where electricity is generated at a premises your Supplier may receive a credit for energy that is exported on to the Distribution System. These credits are intended to reflect that the exported generation may reduce the need for traditional demand led reinforcement of the Distribution System.
- 1.4. Understanding your distribution charges could help you reduce your costs and increase your credits. This is achieved by understanding the components of the charge to help you identify whether there may be opportunities to change the way you use the Distribution System.

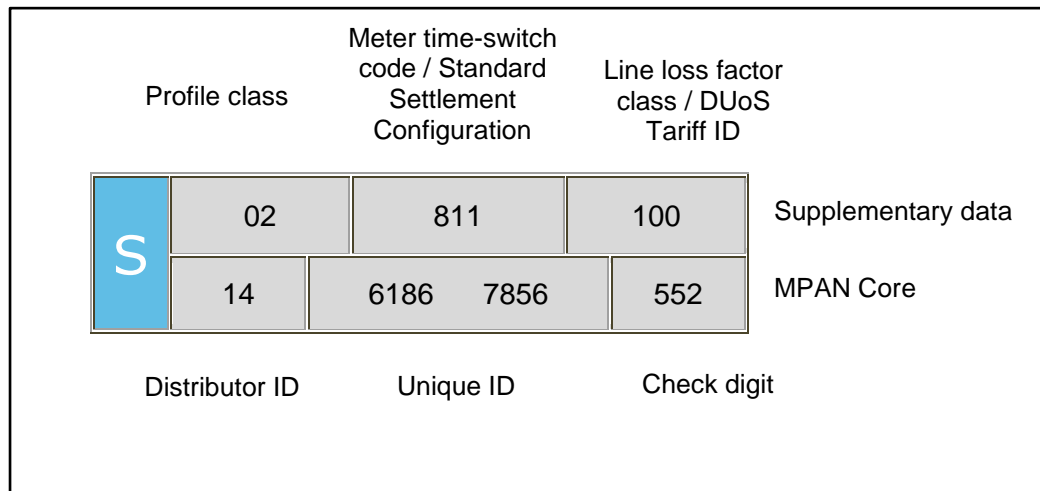
Meter point administration

- 1.5. We are responsible for managing the electricity supply points that are connected to our Distribution System. Typically, every supply point is identified by a Meter Point Administration Number (MPAN). A few supply points may have more than one MPAN depending on the metering configuration (e.g. a school which may have an MPAN for the main supply and an MPAN for catering).
- 1.6. The full MPAN is a 21 digit number, preceded by an 'S' and includes supplementary data. The MPAN applicable to a supply point is found on the electricity bill from your Supplier. This number enables you to establish who your electricity distributor is, details of the characteristics of the supply and importantly the distribution charges that are applicable to your premises.

¹³ These guidance notes are provided for additional information and do not form part of the application of charges.

- 1.7. The 21-digit number is normally presented in two sections as shown in the following diagram. The top section is supplementary data which gives information about the characteristics of supply, while the bottom 'core' is the unique identifier.

Full MPAN diagram



- 1.8. Generally, you will only need to know the Distributor ID and LLFC/DUoS Tariff ID to identify the distribution charges for your premises. However, there are some premises where charges are specific to that site. In these instances, the charges are identified by the MPAN core. The Distributor ID for MIDE is 14. Other Distributor IDs can be referenced in the glossary.

- 1.9. Additionally, it can be useful to understand the profile class provided in the supplementary data. The profile class will be a number between 00 and 08. The following list provides details of the allocation of profile classes to types of customers:

- '01' – Domestic customers with unrestricted supply
- '02' – Domestic customers with restricted load, for example off-peak heating
- '03' – Non-domestic customers with unrestricted supply
- '04' – Non-domestic customers with restricted load, for example off-peak heating
- '05' – Non-domestic maximum demand customers with a Load Factor of less than 20%
- '06' – Non-domestic maximum demand customers with a Load Factor between 20% and 30%
- '07' – Non-domestic maximum demand customers with a Load Factor between 30% and 40%

- '08' – Non-domestic maximum demand customers with a Load Factor over 40% or non-half hourly metered generation customers
 - '00' – Half-hourly metered, demand and generation customers (including all Migrated MPANs)
- 1.10. Unmetered Supplies will be allocated to profile class 01, 08 or 00 depending on the type of load or the measurement method of the load.
- 1.11. The allocation of the profile class will affect your charges for Non-Migrated MPANs. If you feel that you have been allocated the wrong profile class, please contact your Supplier as they are responsible for this.

Your charges

- 1.12. All distribution charges that relate to our Distributor ID 14 are provided in this statement.
- 1.13. You can identify your charges by referencing your LLFC/DUoS Tariff ID, from Annex 1. If the MPAN is for a Designated EHV Property, then the charges will be found in Annex 2. In a few instances, the charges may be contained in Annex 3 or Annex 6. When identifying charges in Annex 2, please note that some LLFC/DUoS Tariff IDs have more than one charge. In this instance, you will need to select the correct charge by cross-referencing with the MPAN core provided in the table.
- 1.14. Once you have identified which charge structure applies to your MPAN then you will be able to calculate an estimate of your distribution charge using the calculator provided in the spreadsheet 'Schedule of charges and other tables' found in the sheet called 'Charge Calculator'. This spreadsheet can be downloaded from www.nationalgrid.co.uk.

Reducing your charges

- 1.15. The most effective way to reduce your energy charges is to reduce your consumption by switching off or using more energy efficient appliances. However, there are also other potential opportunities to reduce your distribution charges; for example, it may be beneficial to shift demand or generation to a better time period. Demand use is likely to be cheaper outside peak periods and generation credits more beneficial during peak periods, although the ability to directly benefit will be linked to the structure of your supply charges.

- 1.16. The calculator mentioned above provides the opportunity to establish a forecast of the change in distribution charges that could be achieved if you are able to change any of the consumption related inputs.

Reactive power and reactive power charges

- 1.17. Reactive power is a separately charged component of connections that are half hourly metered. Reactive power charges are generally avoidable if 'best practice' design of the properties' electrical installation has been provided in order to maintain a power factor between 0.95 and unity at the Metering Point.
- 1.18. Reactive Power (kVAh) is the difference between working power (active power measured in kW) and total power consumed (apparent power measured in kVA). Essentially it is a measure of how efficiently electrical power is transported through an electrical installation or a Distribution System.
- 1.19. Power flowing with a power factor of unity results in the most efficient loading of the Distribution System. Power flowing with a power factor of less than 0.95 results in much higher losses in the Distribution System, a need to potentially provide higher capacity electrical equipment and consequently a higher bill for you the consumer. A comparatively small improvement in power factor can bring about a significant reduction in losses since losses are proportional to the square of the current.
- 1.20. Different types of electrical equipment require some 'reactive power' in addition to 'active power' in order to work effectively. Electric motors, transformers and fluorescent lighting, for example, may produce poor power factors due to the nature of their inductive load. However, if good design practice is applied then the poor power factor of appliances can be corrected as near as possible to source. Alternatively, poor power factor can be corrected centrally near to the meter.
- 1.21. There are many advantages that can be achieved by correcting poor power factor. These include: reduced energy bills through lower reactive charges, lower capacity charges and reduced power consumption and reduced voltage drop in long cable runs.

Site-specific EDCM charges

- 1.22. A site classified as a Designated EHV Property is subject to a locational-based charging methodology (referred to as EDCM) for higher voltage network users. Distributors use one of two approved approaches: Long Run Incremental Cost

(LRIC) or Forward Cost Pricing (FCP); we use the FCP. The EDCM will apply to Customers connected at EHV or connected at HV and metered at an EHV/HV Substation.

1.23. EDCM charges and credits are site-specific, reflecting the degree to which the local and higher voltage networks have the capacity to serve more demand or generation without the need to upgrade the electricity infrastructure. The charges also reflect the networks specifically used to deliver the electricity to the site as well as the usage at the site. Generators with non-intermittent output and deemed to be providing beneficial support to our networks may qualify to receive credit.

1.24. The charges under the EDCM comprise of the following individual components:

a) **Fixed charge (pence/MPAN/day)** - This charge recovers operational costs associated with those connection assets that are provided for the 'sole' use of the customer and a residual amount to ensure recovery of our regulated allowed revenue.

b) **Capacity charge (pence/kVA/day)** - This charge comprises the relevant FCP component, the National Grid Electricity Transmission cost and other regulated costs.

Capacity charges are levied on the MIC, MEC, and any exceeded capacity. You may wish to review your MIC or MEC periodically to ensure it remains appropriate for your needs as you may be paying for more capacity than you require. If you wish to make changes contact us via the details in paragraph 1.13

The FCP cost is locational and reflects our assessment of future network reinforcement necessary at the voltage of connection (local) and beyond at all higher voltages (remote) relevant to the customer's connection. This results in the allocation of higher costs in more capacity congested parts of the network reflecting the greater likelihood of future reinforcement in these areas, and the allocation of lower costs in less congested parts of the network. The local FCP cost is included in the capacity charge.

Our regulated costs include direct and indirect operational costs. The capacity charge recovers these costs using the customer usage profile and the relevant assets being used to transport electricity between the source substation and customer's Metering Point.

- c) **Super-red unit charge (pence/kWh)** - This charge recovers the remote FCP component. The charge is positive for import and negative for export which means you can either reduce your charges by minimising consumption or increasing export at those times. The charge is applied to consumption during the Super-red time period as detailed in Annex 2.
- 1.25. Future charge rates may be affected by consumption during the Super-red period, therefore reducing consumption in the Super-red time period may be beneficial.
- 1.26. **Reactive Power** - The EDCM does not include a separate charge component for any reactive power flows (kVAr) for either demand or generation. However, the EDCM charges do reflect the effect on the network of the customer's power factor; for example, unit charges can increase if your site power factor is poor (lower than 0.95). Improving your site's power factor will also reduce the maximum demand (kVA) for the same power consumed in kW thus providing scope to reduce your agreed capacity requirements.

Appendix 3 – Non-Final Demand Site Certificate

A certificate set out in the form of the example shown below should be submitted to confirm that a site qualifies as a Non-Final Demand Site.

Non-Final Demand Site Certificate of Compliance	
<p>This is to certify that the Metering System listed below qualifies as compliant with the criteria of a Non-Final Demand Site, for the purposes of Use of System charges, and that:</p> <p>The property is a Single Site at which either or both Electricity Storage and/or Electricity Generation occurs (whether the facility(ies) at the site are operating or being commissioned, repaired or decommissioned), and that:</p> <ul style="list-style-type: none"> a) has an export Metering Point or Metering System and an import Metering Point or Metering System with associated metering equipment which only measures export from Electricity Storage and/or Electricity Generation and import for or directly relating to Electricity Storage and/or Electricity Generation (and not export from another source and/or import for another activity); and <ul style="list-style-type: none"> i) if registered in an MPAS Registration System, is subject to certification from a Supplier Party that the site meets the criteria in paragraph (a) above, which certificate has been provided to the DNO/IDNO Party; or ii) if registered in CMRS, is subject to certification from the Customer (or its CVA Registrant) that the site meets the criteria in paragraph (a) above, which certificate has been provided to the DNO/IDNO Party. <p>For the purposes of this declaration, the term Non-Final Demand Site has the meaning given to it in the DCUSA.</p>	
Metering System Site Address:	
Qualifying Import MPAN/MSID(s)	Qualifying Export MPAN/MSID(s)
<p>I declare that I understand the qualification requirements and certify that the above Metering System meets the criteria of a Non-Final Demand Site.</p> <p>Authorised signatory:</p> <p>Name and designation:</p> <p>On behalf of company:</p> <p>Date:</p>	

Annex 1 - Schedule of Charges for use of the Distribution System by LV and HV Designated Properties

National Grid Electricity Distribution (West Midlands) plc - Effective from 1 April 2027 - Final LV and HV charges

Time Bands for LV and HV Designated Properties			
Time periods	Red Time Band	Amber Time Band	Green Time Band
Monday to Friday (Including Bank Holidays) All Year	16:00 - 19:00	07:30 to 16:00 19:00 to 21:00	00:00 to 07:30 21:00 to 24:00
Saturday and Sunday All Year			00:00 to 24:00
Notes	All the above times are in UK Clock time		

Time Bands for Unmetered Properties			
	Black Time Band	Yellow Time Band	Green Time Band
Monday to Friday (Including Bank Holidays) Nov to Feb Inclusive	16:00 to 19:00	07:30 to 16:00 19:00 to 21:00	00:00 to 07:30 21:00 to 24:00
Monday to Friday (Including Bank Holidays) Mar to Oct Inclusive		07:30 to 21:00	00:00 to 07:30 21:00 to 24:00
Saturday and Sunday All year			00:00 to 24:00
Notes	All the above times are in UK Clock time		

Tariff name	Open LLFCs/ DUoS Tariff IDs	PCs	Red/black unit charge p/kWh	Amber/yellow unit charge p/kWh	Green unit charge p/kWh	Fixed charge p/MPAN/day	Capacity charge p/kVA/day	Exceeded capacity charge p/kVA/day	Reactive power charge p/kVAh	Closed LLFCs
Domestic Aggregated or CT with Residual	1, 4, 632, D01	0, 1, 2	12.080	1.519	0.188	16.78				2, 3, 5, 6, 30
Domestic Aggregated (Related MPAN)	34	2	12.080	1.519	0.188					
Non-Domestic Aggregated or CT No Residual	N10, N20, N30, X10, X20, X30	0, 3, 4, 5-8	10.915	1.372	0.170	15.46				
Non-Domestic Aggregated or CT Band 1	7, 10, 21, 19, 633, 322, 323, X11, X21, X31	0, 3, 4, 5-8	10.915	1.372	0.170	19.80				8, 9, 13, 14, 107, 108, 109, 11, 12, 110, 111, 112, 20, 22, 25, 26, 27
Non-Domestic Aggregated or CT Band 2	N12, N22, N32, X12, X22, X32	0, 3, 4, 5-8	10.915	1.372	0.170	32.24				
Non-Domestic Aggregated or CT Band 3	N13, N23, N33, X13, X23, X33	0, 3, 4, 5-8	10.915	1.372	0.170	51.59				
Non-Domestic Aggregated or CT Band 4	N14, N24, N34, X14, X24, X34	0, 3, 4, 5-8	10.915	1.372	0.170	108.96				
Non-Domestic Aggregated (related MPAN)	40	4	10.915	1.372	0.170					
LV Site Specific No Residual	L00, LST	0	6.971	0.866	0.096	15.46	11.21	11.21	0.152	
LV Site Specific Band 1	127, 129	0	6.971	0.866	0.096	172.59	11.21	11.21	0.152	121, 124, 132
LV Site Specific Band 2	L02	0	6.971	0.866	0.096	294.58	11.21	11.21	0.152	
LV Site Specific Band 3	L03	0	6.971	0.866	0.096	454.06	11.21	11.21	0.152	
LV Site Specific Band 4	L04	0	6.971	0.866	0.096	809.60	11.21	11.21	0.152	
LV Sub Site Specific No Residual	S00, SST	0	3.827	0.459	0.032	12.07	9.62	9.62	0.082	
LV Sub Site Specific Band 1	128	0	3.827	0.459	0.032	169.20	9.62	9.62	0.082	
LV Sub Site Specific Band 2	S02	0	3.827	0.459	0.032	291.19	9.62	9.62	0.082	
LV Sub Site Specific Band 3	S03	0	3.827	0.459	0.032	450.67	9.62	9.62	0.082	
LV Sub Site Specific Band 4	S04	0	3.827	0.459	0.032	806.21	9.62	9.62	0.082	
HV Site Specific No Residual	H00, HST	0	1.878	0.212	0.011	111.38	9.69	9.69	0.036	
HV Site Specific Band 1	365, 367	0	1.878	0.212	0.011	1068.39	9.69	9.69	0.036	
HV Site Specific Band 2	H02	0	1.878	0.212	0.011	2987.51	9.69	9.69	0.036	
HV Site Specific Band 3	H03	0	1.878	0.212	0.011	5842.58	9.69	9.69	0.036	
HV Site Specific Band 4	H04	0	1.878	0.212	0.011	13110.32	9.69	9.69	0.036	
Unmetered Supplies	95, 96, 97, 98, 99	0, 1 or 8	43.452	3.340	1.994					
LV Generation Aggregated	625	0	-7.505	-0.944	-0.117	0.00				
LV Sub Generation Aggregated	570	0	-5.915	-0.738	-0.085	0.00				
LV Generation Site Specific	571, 573	0	-7.505	-0.944	-0.117	0.00			0.209	
LV Generation Site Specific no RP charge	141, 142	0	-7.505	-0.944	-0.117	0.00				
LV Sub Generation Site Specific	572, 574	0	-5.915	-0.738	-0.085	0.00			0.140	
LV Sub Generation Site Specific no RP charge	143, 144	0	-5.915	-0.738	-0.085	0.00				
HV Generation Site Specific	575, 577	0	-2.889	-0.346	-0.024	69.71			0.110	
HV Generation Site Specific no RP charge	145, 146	0	-2.889	-0.346	-0.024	69.71				

Note: Where a tariff only has a p/kWh unit rate in Unit Charge 1 then this unit rate applies at all times.

Annex 2 - Schedule of Charges for use of the Distribution System by Designated EHV Properties (including LDNOs with Designated EHV Properties/end-users).

National Grid Electricity Distribution (West Midlands) plc - Effective from 1 April 2027 - Final Designated EHV charges

Time Periods for Designated EHV Properties	
Time periods	Super Red Time Band
Monday to Friday (Including Bank Holidays) November to February Inclusive	16:00 to 19:00
Notes	All the above times are in UK Clock time

Import Unique Identifier	LLFC/DUoS Tariff Id	Import MPANs/MSIDs	Export Unique Identifier	LLFC/DUoS Tariff Id	Export MPANs/MSIDs	Name	Residual Charging Band	Import Super Red unit charge (p/kWh)	Import fixed charge (p/day)	Import capacity charge (p/kVA/day)	Import exceeded capacity charge (p/kVA/day)	Export Super Red unit charge (p/kWh)	Export fixed charge (p/day)	Export capacity charge (p/kVA/day)	Export exceeded capacity charge (p/kVA/day)
16	16	1470001750759	925	925	1470001750800	Giffords Way			3130.28	0.43	0.43		23477.10	0.05	0.05
79	79	1470001847362	91	91	1470001847405	Claydon ESS & PV			228.71	3.53	3.53	-3.864	1029.17	0.05	0.05
80	80	1470001871310	92	92	1470001871338	Dovedale Solar B			12.92	0.97	0.97		2579.14	0.05	0.05
583	583	1470001717023 1470001717088				Bromford	4		135100.40	1.34	1.34				
636	636	1470000533244	933	933	1470000533253	Troughton Farm PV			6.30	3.30	3.30		2625.79	0.05	0.05
637	637	1470001084007				Air Liquide	2		14301.30	2.17	2.17				
702	702	1423197100003	703	703	1430000005417	Tyseley Waste			101.07	0.71	0.71		1156.81	0.05	0.05
704	704	1423674500009				Takao Europe	1	3.934	1993.85	2.03	2.03				
705	705	1470000097947	750	750	1470000097965	Four Ashes Incinerator			137.62	0.92	0.92	-0.512	699.02	0.05	0.05
706	706	1470000077913	751	751	1470000077950	Witches Farm Solar			30.48	2.46	2.46		1076.91	0.05	0.05
707	707	143000001342 143000001351	708	708	143000001360 143000001370	Uni of Birmingham	3		27277.22	1.53	1.53				
709	709	1426644200003				Severn Trent Water (Wyelands)	2	4.040	12321.15	3.80	3.80				
710	710	1425993500002	732	732	1424993500000	Wolverhampton Waste Services	2		443.38	1.00	1.00				
711	711	1421696500001 143000000906	733	733	143000000915 143000000924	Stoke CHP	2	0.756	11058.40	0.74	0.74	-0.758	4922.40	0.05	0.05
712	712	1428483000001 1429586500003				WBB Minerals	1	0.757	1724.02	1.34	1.34				
713	713	1422804000005				Cauldon Cement	3	0.757	24585.23	2.43	2.43				
714	714	1412791203000				Abson Gas Compressor Station	2		11154.74	3.75	3.75				
715	715	1422108000000				Ervin Amasteel	2		23233.72	0.84	0.84				
716	716	1426793500003	734	734	1425793500001	Hanford Waste Services	2	0.758	58.46	0.63	0.63	-0.758	346.45	0.05	0.05
717	717	1422664500000 1425861000001	735	735	1430000033051 1430000033060	NR Kidsgrove	2	0.758	29581.01	1.50	1.50				
718	718	1421664500008 1426342000002	736	736	1430000033098 1430000033103	NR Stafford	3		27740.25	1.08	1.08				
719	719	1423124100000 1428564500005	741	741	1430000033070 1430000044090	NR Washwood Heath	3		31582.80	1.20	1.20				
720	720	1420286500000	737	737	1430000033121	NR Winson Green	3		27827.03	1.60	1.60				
721	721	1423566000006	738	738	1430000033089	NR Smethwick	3		41135.41	0.74	0.74				
722	722	1424136000004	739	739	1430000033112	NR Willenhall	3		27611.72	0.92	0.92				
723	723	146002083346	748	748	146002083355	Northwick AD			2.84	1.43	1.43	-1.194	56.85	0.05	0.05
724	724	1430000027786 1430000027795 1430000027800 1430000027810 1430000027829 1430000027838 1430000027847 1430000027856				Inco Alloys	3	4.266	23490.23	1.96	1.96				
725	725	1460002258662	749	749	1460002258671	Swancote		0.217	50.31	1.83	1.83	-1.995	1187.22	0.05	0.05
726	726	1460002256025	752	752	1460002256034	Spring Hill Solar generation			0.95	1.45	1.45		94.75	0.05	0.05
727	727	1460001869731 1460001869750				NG Wormington Gas Compressor	3	1.200	35054.76	1.49	1.49				
728	728	1470000086156	753	753	1470000086147	Greenfrog STOR generation	1		1324.79	1.52	1.52	-1.194	379.77	0.05	0.05
729	729	1470000223432	754	754	1470000223441	Union Road	2		11588.47	0.55	0.55		3313.02	0.05	0.05
730	730	1423464500000 1429264500000	731	731	1421464500007 1422464500009	Quatt	2	3.203	10757.28	4.12	4.12		83.92	0.05	0.05
740	740	1425886500002	746	746	1426886500004	Knypersley	1	4.212	1319.69	0.82	0.82				
742	742	1429414500005				Simplex	1	0.760	1518.41	5.66	5.66				
743	743	1470000174885				Northwick STOR sub supply	1		1321.38	1.47	1.47				
744	744	1428882200005	915	915	1470000469625	Star Aluminium	3	2.081	27529.75	1.47	1.47		770.62	0.05	0.05
770	770	1470000190520	755	755	1470000190530	Battlefield Incinerator		0.992	51.07	1.36	1.36	-2.115	353.85	0.05	0.05
771	771	1470000275547	756	756	1470000275556	Says Court Farm PV			0.54	5.63	5.63		404.38	0.05	0.05

Note: The list of MPANs / MSIDs provided may be incomplete; the DNO reserves the right to apply the listed charges to any other MPANs / MSIDs associated with the site.

Annex 2 - Schedule of Charges for use of the Distribution System by Designated EHV Properties (including LDNOs with Designated EHV Properties/end-users).

Import Unique Identifier	LLFC/DUoS Tariff Id	Import MPANs/MSIDs	Export Unique Identifier	LLFC/DUoS Tariff Id	Export MPANs/MSIDs	Name	Residual Charging Band	Import Super Red unit charge (p/kWh)	Import fixed charge (p/day)	Import capacity charge (p/kVA/day)	Import exceeded capacity charge (p/kVA/day)	Export Super Red unit charge (p/kWh)	Export fixed charge (p/day)	Export capacity charge (p/kVA/day)	Export exceeded capacity charge (p/kVA/day)
772	772	1470000283681	757	757	1470000283690	Hayford Fm PV Emdeeded 2		0.934	2.67	1.56	1.56		217.94	0.05	0.05
773	773	1470000303901	758	758	1470000303910	Rotherdale Solar Farm	1		1327.44	3.15	3.15		1250.85	0.05	0.05
774	774	1470000406449	759	759	1470000406430	Lower Newton Solar Farm		0.758	10.24	1.37	1.37		1844.03	0.05	0.05
775	775	1470000416794	760	760	1470000416800	Wrockwardine Solar Farm		0.963	15.65	1.63	1.63		978.26	0.05	0.05
776	776	1470000425530	761	761	1470000425549	Condover Solar Farm		0.275	75.27	2.21	2.21		9408.23	0.05	0.05
777	777	1470000426125	762	762	1470000426134	Tower Hill Farm PV			21.33	3.75	3.75		1919.30	0.05	0.05
778	778	1470000429766	763	763	1470000429775	Hill House Farm Solar			7.14	2.94	2.94		5786.62	0.05	0.05
779	779	1470000430089	764	764	1470000430103	Pitchford Farm Solar		0.284	39.34	2.36	2.36		5900.90	0.05	0.05
780	780	1470000437749	765	765	1470000437758	Sundome Solar Park		1.002	13.38	1.44	1.44		454.76	0.05	0.05
781	781	1470000473756	766	766	1470000473765	Hartlebury EFWD			681.29	0.94	0.94	-0.533	4258.09	0.05	0.05
782	782	1470000478727	767	767	1470000478736	Upper Huntingford PV			7.94	1.21	1.21		1307.69	0.05	0.05
783	783	1470000479190	768	768	1470000479206	Ring O Bells Solar	1		1330.74	3.83	3.83		1164.21	0.05	0.05
784	784	1470000501641	769	769	1470000501650	Hall Farm PV Awre		3.618	2.00	3.76	3.76		666.58	0.05	0.05
785	785	1470000174928	805	805	1470000174900	5 Mile Drive Solar Park			0.95	1.75	1.75		63.11	0.05	0.05
786	786	1470000671023	806	806	1470000671032	Green Frog STOR Extension	1		1327.63	1.40	1.40	-1.194	80.92	0.05	0.05
787	787	1426893200000	807	807	1470000965881	Invista Textiles Gas	2	7.368	10838.76	0.99	0.99		2.44	0.05	0.05
789	789	1425986500008				GKN Hadley Castle Wks	2	2.434	10777.89	2.22	2.22				
790	790	1470001307916				RBSL GKN Hadley Castle	1	2.347	1382.41	1.93	1.93				
794	794	1470000535881	815	815	1470000535890	Wickhamford PV			2.08	2.72	2.72		1010.73	0.05	0.05
795	795	1470000540543	816	816	1470000540552	Yorkley Wood Farm PV		3.756	4.70	2.97	2.97		469.61	0.05	0.05
797	797	1470000542833	818	818	1470000542842	Bristol Rd Glos STOR		3.840	1.77	3.17	3.17	-4.593	1416.16	0.05	0.05
798	798	1470000542790	819	819	1470000542806	Actrees Farm PV			31.63	1.61	1.61		7115.89	0.05	0.05
799	799	1470000548418	820	820	1470000548427	Sheriffhales Farm PV		0.930	2.93	1.80	1.80		401.98	0.05	0.05
801	801	1470000552432	821	821	1470000552441	Upper Wick Solar Farm			5.00	1.08	1.08		419.96	0.05	0.05
866	866	1470000597061	824	824	1470000597070	Astley Solar Farm			42.90	2.71	2.71		2386.49	0.05	0.05
867	867	1470000444133	825	825	1470000444142	Hayford Fm PV Emdeeded 1		0.993	1.23	2.01	2.01		183.08	0.05	0.05
868	868	1470000621946	826	826	1470000621955	Sheriffhales CIC PV		0.904	4.08	1.56	1.56		400.83	0.05	0.05
869	869	1470000630996	827	827	1470000631002	Wolverhampton Power STOR			39.60	0.88	0.88		2052.13	0.05	0.05
870	870	1470000641872	828	828	1470000641881	Moneystone Quarry PV		0.759	14.83	0.87	0.87		390.09	0.05	0.05
871	871	1470000744921	829	829	1470000744930	Heywood Grange Farm PV		0.759	5.17	0.94	0.94		270.38	0.05	0.05
872	872	1470000668883	830	830	1470000668892	Garreg Lwyd Wind Farm			562.46	2.48	2.48		53707.06	0.05	0.05
873	873	1470000711049	831	831	1470000711058	Henley Solar Farm PV			12.78	1.52	1.52		1022.76	0.05	0.05
875	875	1470000723569	833	833	1470000723578	High Point Solar PV			4.20	1.20	1.20		400.72	0.05	0.05
876	876	1470000732304	834	834	1470000732313	Staunch Standby STOR		0.758	38.23	0.77	0.77	-0.758	1529.26	0.05	0.05
877	877	1470000733274	835	835	1470000733283	ISIS House STOR			12.40	1.80	1.80	-1.194	1239.90	0.05	0.05
878	878	1470000744940	836	836	1470000744959	Heywood Grange Bttry		0.758	64.68	0.81	0.81	-1.124	64.68	0.05	0.05
879	879	1470000745039	837	837	1470000745048	Upper Meadowly Farm PV		0.268	93.79	1.92	1.92		5861.86	0.05	0.05
880	880	1470000857235	838	838	1470000857244	Javelin Park EFWD			1022.00	0.85	0.85	-0.407	11247.62	0.05	0.05
881	881	1470000878068	839	839	1470000878086	Rock Farm			599.49	1.05	1.05	-0.655	599.49	0.05	0.05
883	883	1470000883192	841	841	1470000883208	Hinksford Farm Gas		2.419	3.81	1.56	1.56	-2.422	761.91	0.05	0.05
884	884	1470000934926	7413	7413	7413	Chatterley Whitfield		0.758	17.24	3.18	3.18	-4.158	844.07	0.05	0.05
885	885	1470000937750	843	843	1470000937769	Larport Farm BESS			550.99	2.45	2.45	-2.583	550.99	0.05	0.05
886	886	1470000970872	844	844	1470000970881	Sandwell Power STOR			157.25	0.88	0.88		4928.79	0.05	0.05
887	887	1470000970890	845	845	1470000970906	Wednesbury Power			164.36	0.75	0.75		5014.19	0.05	0.05
888	888	1470001204635	846	846	1470001204644	Bourne Road (Lower Strensham)			5.57	1.95	1.95		1393.68	0.05	0.05
889	889	1470001524481	847	847	1470001524515	Bishampton Solar PV			13.77	1.51	1.51		826.13	0.05	0.05
890	890	1470001526140	848	848	1470001526150	Croome Airfield Solar Farm			73.32	1.82	1.82		9776.30	0.05	0.05
891	891	1470001681430	849	849	1470001681495	Dormington Solar PV			47.98	2.41	2.41		648.65	0.05	0.05
892	892	1470001814385	850	850	1470001814437	Littleton Pastures			6.28	1.85	1.85		690.35	0.05	0.05
893	893	1470001891566	851	851	1470001891575	Cheswell Grange		0.967	20.25	2.05	2.05		384.67	0.05	0.05
894	894	1470001896402	852	852	1470001896411	Crimscote Fields Farm ESS & EFWD ANM			176.81	1.65	1.65	-1.194	2357.45	0.05	0.05
895	895	1470001975835	853	853	1470001975914	Totmonslow Cottage		0.758	34.94	1.35	1.35		524.16	0.05	0.05
896	896	1470001985610	854	854	1470001985620	Henley Hall Squirrel Lane ESS & PV			188.67	1.32	1.32	-0.655	216.24	0.05	0.05
897	897	1470002041306	855	855	1470002041315	Fryers Road Waste Generation			8026.71	0.56	0.56		57333.64	0.05	0.05
2226	2226	2226				Cellarhead Barlaston (Meaford) Interconnector	4		115325.05	2.31	2.31				
7070	7070	7070	7070	7070	7070	Heartlands Power Ltd / Fort Dunlop			21.50	0.66	0.66		1236.38	0.05	0.05
7337	7337	7337	7338	7338	7338	Sudmeadow Rd STOR		4.060	45.96	1.19	1.19	-4.593	1279.46	0.05	0.05
7371	7371	7371	7375	7375	7375	Bloxwich ESS			5384.40	0.57	0.57		5384.40	0.05	0.05
7552	7552	7552	7553	7553	7553	Berkeley Battery Storage 2			16305.60	0.57	0.57		16305.60	0.05	0.05
7596	7596	7596	7597	7597	7597	Wolverhampton West IDNO			356.65	0.58	0.58		356.65	0.05	0.05
			745	745	1430000021836	Redditch Gas Turbine									
0234	0234	0234				Cellarhead Whitfield Interconnector	4		115325.05	2.83	2.83				
New Import 1	New Import 1	New Import 1	New Export 1	New Export 1	New Export 1	Penn. Blackpit Lane IDNO			628.94	0.24	0.24		628.94	0.05	0.05
New Import 2	New Import 2	New Import 2	New Export 2	New Export 2	New Export 2	Aston Somerville		3.761	22.29	1.09	1.09		2786.81	0.05	0.05
New Import 3	New Import 3	New Import 3	New Export 3	New Export 3	New Export 3	Atherstone PV			3.50	2.36	2.36		909.32	0.05	0.05
New Import 4	New Import 4	New Import 4	New Export 4	New Export 4	New Export 4	Balladoole Solar A (Roundhill)			20.99	1.71	1.71		4188.75	0.05	0.05
New Import 5	New Import 5	New Import 5	New Export 5	New Export 5	New Export 5	Bengrove Farm, Base Lane ESS & PV		3.835	25.31	1.14	1.14		379.61	0.05	0.05
New Import 6	New Import 6	New Import 6	New Export 6	New Export 6	New Export 6	Berrington Farm		0.967	1.92	1.88	1.88		403.00	0.05	0.05
New Import 7	New Import 7	New Import 7	New Export 7	New Export 7	New Export 7	Bickley Solar Farm IDNO			194.47	0.58	0.58		364.63	0.05	0.05
New Import 8	New Import 8	New Import 8	New Export 8	New Export 8	New Export 8	Black Flatts Farm			243.21	1.40	1.40		17024.88	0.05	0.05
New Import 9	New Import 9	New Import 9	New Export 9	New Export 9	New Export 9	Blythe House Farm			1381.50	1.02	1.02		3623.62	0.05	0.05

Note: The list of MPANs / MSIDs provided may be incomplete; the DNO reserves the right to apply the listed charges to any other MPANs / MSIDs associated with the site.

Annex 2 - Schedule of Charges for use of the Distribution System by Designated EHV Properties (including LDNOs with Designated EHV Properties/end-users).

Import Unique Identifier	LLFC/DUoS Tariff Id	Import MPANs/MSIDs	Export Unique Identifier	LLFC/DUoS Tariff Id	Export MPANs/MSIDs	Name	Residual Charging Band	Import Super Red unit charge (p/kWh)	Import fixed charge (p/day)	Import capacity charge (p/kVA/day)	Import exceeded capacity charge (p/kVA/day)	Export Super Red unit charge (p/kWh)	Export fixed charge (p/day)	Export capacity charge (p/kVA/day)	Export exceeded capacity charge (p/kVA/day)	
New Import 10	New Import 10	New Import 10	New Export 10	New Export 10	New Export 10	Brick House Solar			27.45	0.97	0.97		4565.89	0.05	0.05	
New Import 11	New Import 11	New Import 11	New Export 11	New Export 11	New Export 11	Bronze Cricket Club			628.94	0.57	0.57		628.94	0.05	0.05	
New Import 12	New Import 12	New Import 12	New Export 12	New Export 12	New Export 12	Butterhill Farm			24.26	1.18	1.18		3234.89	0.05	0.05	
New Import 13	New Import 13	New Import 13	New Export 13	New Export 13	New Export 13	Cambridge Arms Shepherds Patch ESS			2963.76	0.57	0.57		2963.76	0.05	0.05	
New Import 14	New Import 14	New Import 14	New Export 14	New Export 14	New Export 14	Catherine De Barnes 1			1963.12	1.05	1.05	-0.624	1963.12	0.05	0.05	
New Import 15	New Import 15	New Import 15	New Export 15	New Export 15	New Export 15	Catherine De Barnes 2			628.94	1.05	1.05	-0.624	628.94	0.05	0.05	
New Import 16	New Import 16	New Import 16	New Export 16	New Export 16	New Export 16	Cheadle BESS		0.758	2826.36	0.88	0.88	-1.124	2975.11	0.05	0.05	
New Import 17	New Import 17	New Import 17	New Export 17	New Export 17	New Export 17	Chillington Estate			4249.87	1.22	1.22	-0.512	4249.87	0.05	0.05	
New Import 18	New Import 18	New Import 18	New Export 18	New Export 18	New Export 18	County Lane			73.62	1.22	1.22	-0.512	331.30	0.05	0.05	
New Import 19	New Import 19	New Import 19	New Export 19	New Export 19	New Export 19	Twigworth Court Farm		3.761	12.98	1.61	1.61		391.94	0.05	0.05	
New Import 20	New Import 20	New Import 20	New Export 20	New Export 20	New Export 20	Dawley Road		0.967	127.75	2.05	2.05		5365.35	0.05	0.05	
New Import 21	New Import 21	New Import 21	New Export 21	New Export 21	New Export 21	Fidden Farm			628.94	0.57	0.57		628.94	0.05	0.05	
New Import 22	New Import 22	New Import 22	New Export 22	New Export 22	New Export 22	Frampton Solar			9.36	3.73	3.73		1248.52	0.05	0.05	
New Import 23	New Import 23	New Import 23	New Export 23	New Export 23	New Export 23	Greenfields farm			3931.05	0.57	0.57		3931.05	0.05	0.05	
New Import 24	New Import 24	New Import 24	New Export 24	New Export 24	New Export 24	Grey Friars Way			612.81	0.53	0.53		645.06	0.05	0.05	
New Import 25	New Import 25	New Import 25	New Export 25	New Export 25	New Export 25	Hall Lane		0.277	14.29	2.30	2.30		2857.62	0.05	0.05	
New Import 26	New Import 26	New Import 26	New Export 26	New Export 26	New Export 26	Hill Court Solar Farm			628.94	0.86	0.86		628.94	0.05	0.05	
New Import 27	New Import 27	New Import 27	New Export 27	New Export 27	New Export 27	Hilton Park North		2	17985.23	1.42	1.42					
New Import 28	New Import 28	New Import 28	New Export 28	New Export 28	New Export 28	Hollybush			628.94	0.57	0.57		628.94	0.05	0.05	
New Import 29	New Import 29	New Import 29	New Export 29	New Export 29	New Export 29	Home Farm			63.09	2.00	2.00		6308.56	0.05	0.05	
New Import 30	New Import 30	New Import 30	New Export 30	New Export 30	New Export 30	Illey Lane 1			628.94	0.54	0.54	-0.114	628.94	0.05	0.05	
New Import 31	New Import 31	New Import 31	New Export 31	New Export 31	New Export 31	Illey Lane 2			5298.58	0.65	0.65	-0.114	5298.58	0.05	0.05	
New Import 32	New Import 32	New Import 32	New Export 32	New Export 32	New Export 32	Jaguar Land Rover		4	125243.89	1.71	1.71		5046.37	0.05	0.05	
New Import 33	New Import 33	New Import 33	New Export 33	New Export 33	New Export 33	Keele University		2	18087.98	2.77	2.77		33.22	0.05	0.05	
New Import 34	New Import 34	New Import 34	New Export 34	New Export 34	New Export 34	Land at Biddlestone Orchards Llangarron ESS & PV			1629.58	3.32	3.32	-3.864	1629.58	0.05	0.05	
New Import 35	New Import 35	New Import 35	New Export 35	New Export 35	New Export 35	Land East of Meadford		0.758	279.55	0.59	0.59	-0.760	279.55	0.05	0.05	
New Import 36	New Import 36	New Import 36	New Export 36	New Export 36	New Export 36	Lawn Lane			14.23	1.45	1.45		5633.05	0.05	0.05	
New Import 37	New Import 37	New Import 37	New Export 37	New Export 37	New Export 37	Highleadow Solar			12.92	3.73	3.73		2579.14	0.05	0.05	
New Import 38	New Import 38	New Import 38	New Export 38	New Export 38	New Export 38	Levedale Road			628.94	0.53	0.53		628.94	0.05	0.05	
New Import 39	New Import 39	New Import 39	New Export 39	New Export 39	New Export 39	Loquiers Farm Plump Hill PV		3.761	13.64	3.32	3.32		545.47	0.05	0.05	
New Import 40	New Import 40	New Import 40	New Export 40	New Export 40	New Export 40	Longland Solar Farm			26.79	2.06	2.06		669.84	0.05	0.05	
New Import 41	New Import 41	New Import 41	New Export 41	New Export 41	New Export 41	Longney Estate			376.46	4.33	4.33		38413.97	0.05	0.05	
New Import 42	New Import 42	New Import 42	New Export 42	New Export 42	New Export 42	Lower Farm Solar			472.30	1.12	1.12		785.58	0.05	0.05	
New Import 43	New Import 43	New Import 43	New Export 43	New Export 43	New Export 43	Lower Hanyards Farm			31.91	0.53	0.53		7896.89	0.05	0.05	
New Import 44	New Import 44	New Import 44	New Export 44	New Export 44	New Export 44	Lower Tean Leys			354.74	1.02	1.02		903.14	0.05	0.05	
New Import 45	New Import 45	New Import 45	New Export 45	New Export 45	New Export 45	Lucozade Ribena		3	28300.37	3.97	3.97					
New Import 46	New Import 46	New Import 46	New Export 46	New Export 46	New Export 46	Maisemore court farm PV			12.48	3.73	3.73		1245.40	0.05	0.05	
New Import 47	New Import 47	New Import 47	New Export 47	New Export 47	New Export 47	Meadow Solar Farm			39.53	0.97	0.97		5887.99	0.05	0.05	
New Import 48	New Import 48	New Import 48	New Export 48	New Export 48	New Export 48	Minsterley		0.990	948.45	1.38	1.38	-2.115	998.34	0.05	0.05	
New Import 49	New Import 49	New Import 49	New Export 49	New Export 49	New Export 49	Moreton Brook			19.85	1.40	1.40		1238.03	0.05	0.05	
New Import 50	New Import 50	New Import 50	New Export 50	New Export 50	New Export 50	New Buildings Fm			3.07	1.07	1.07		1254.80	0.05	0.05	
New Import 51	New Import 51	New Import 51	New Export 51	New Export 51	New Export 51	Norchard Farm Crossway Green PV			26.79	1.47	1.47		669.84	0.05	0.05	
New Import 52	New Import 52	New Import 52	New Export 52	New Export 52	New Export 52	North Drayton Solar Farm, Alcester Road, Stratford on Avon			2.78	1.85	1.85		693.85	0.05	0.05	
New Import 53	New Import 53	New Import 53	New Export 53	New Export 53	New Export 53	Ocker Hill BESS IDNO			628.94	0.40	0.40		628.94	0.05	0.05	
New Import 54	New Import 54	New Import 54	New Export 54	New Export 54	New Export 54	Outcough Farm			1296.03	1.11	1.11	-0.758	1296.03	0.05	0.05	
New Import 55	New Import 55	New Import 55	New Export 55	New Export 55	New Export 55	Peddimore Hall IDNO		4	107051.70	1.19	1.19					
New Import 56	New Import 56	New Import 56	New Export 56	New Export 56	New Export 56	Peplow			993.25	1.14	1.14		100328.44	0.05	0.05	
New Import 57	New Import 57	New Import 57	New Export 57	New Export 57	New Export 57	Perseverance Old School Lane		3.761	184.83	1.19	1.19	-4.016	646.92	0.05	0.05	
New Import 58	New Import 58	New Import 58	New Export 58	New Export 58	New Export 58	Ploddy House Farm			48.16	3.73	3.73		3210.99	0.05	0.05	
New Import 59	New Import 59	New Import 59	New Export 59	New Export 59	New Export 59	Pontrilas Sawmill		1	2.625	1518.41	2.96	2.96				
New Import 60	New Import 60	New Import 60	New Export 60	New Export 60	New Export 60	Preston Hill Farm			19.85	0.97	0.97		1238.03	0.05	0.05	
New Import 61	New Import 61	New Import 61	New Export 61	New Export 61	New Export 61	Rag Lane Solar			60.70	4.07	4.07		12139.54	0.05	0.05	
New Import 62	New Import 62	New Import 62	New Export 62	New Export 62	New Export 62	Rectory Farm 2			1294.15	1.02	1.02	-0.533	1294.15	0.05	0.05	
New Import 63	New Import 63	New Import 63	New Export 63	New Export 63	New Export 63	Rocks Green			449.26	1.32	1.32	-0.655	1497.53	0.05	0.05	
New Import 64	New Import 64	New Import 64	New Export 64	New Export 64	New Export 64	Rotherdale Farm CHP			300.27	1.85	1.85	-1.194	396.36	0.05	0.05	
New Import 65	New Import 65	New Import 65	New Export 65	New Export 65	New Export 65	Ryall IDNO			10.00	3.40	3.40		1247.88	0.05	0.05	
New Import 66	New Import 66	New Import 66	New Export 66	New Export 66	New Export 66	Steerway Solar Farm		0.967	90.05	2.05	2.05		5403.04	0.05	0.05	
New Import 67	New Import 67	New Import 67	New Export 67	New Export 67	New Export 67	Tean Leys Farm			622.59	0.53	0.53		635.29	0.05	0.05	
New Import 68	New Import 68	New Import 68	New Export 68	New Export 68	New Export 68	Tiddlecross Lane		0.979	139.78	1.72	1.72	-2.115	419.33	0.05	0.05	
New Import 69	New Import 69	New Import 69	New Export 69	New Export 69	New Export 69	Upton Solar Farm			5.41	1.47	1.47		691.22	0.05	0.05	
New Import 70	New Import 70	New Import 70	New Export 70	New Export 70	New Export 70	Whitehouse farm BESS			1796.35	0.59	0.59		1796.35	0.05	0.05	
New Import 71	New Import 71	New Import 71	New Export 71	New Export 71	New Export 71	Wistow Lodge Solar			18.87	1.68	1.68		1572.55	0.05	0.05	
New Import 72	New Import 72	New Import 72	New Export 72	New Export 72	New Export 72	WM Interchange Demand IDNO		4	104197.46	1.10	1.10					
New Import 73	New Import 73	New Import 73	New Export 73	New Export 73	New Export 73	Wolds End PV			36.71	0.97	0.97		1221.17	0.05	0.05	
New Import 74	New Import 74	New Import 74	New Export 74	New Export 74	New Export 74	Yew Tree Farm			4395.43	1.03	1.03		4395.43	0.05	0.05	

Note: The list of MPANs / MSIDs provided may be incomplete; the DNO reserves the right to apply the listed charges to any other MPANs / MSIDs associated with the site.

National Grid Electricity Distribution (West Midlands) plc - Effective from 1 April 2027 - Final Designated EHV import charges

Import Unique Identifier	LLFC/DUoS Tariff Id	Import MPANs/MSIDs	Name	Import Super Red unit charge (p/kWh)	Import fixed charge (p/day)	Import capacity charge (p/kVA/day)	Import exceeded capacity charge (p/kVA/day)
16	16	1470001750759	Giffords Way		3130.28	0.43	0.43
79	79	1470001847362	Claydon ESS & PV		228.71	3.53	3.53
80	80	1470001871310	Dovedale Solar B		12.92	0.97	0.97
583	583	1470001717023 1470001717088	Bromford		135100.40	1.34	1.34
636	636	1470000533244	Troughton Farm PV		6.30	3.30	3.30
637	637	1470001084007	Air Liquide		14301.30	2.17	2.17
702	702	1423197100003	Tyseley Waste		101.07	0.71	0.71
704	704	1423674500009	Takao Europe	3.934	1993.85	2.03	2.03
705	705	1470000097947	Four Ashes Incinerator		137.62	0.92	0.92
706	706	1470000077913	Witches Farm Solar		30.48	2.46	2.46
707	707	1430000001342 1430000001351	Uni of Birmingham		27277.22	1.53	1.53
709	709	1426644200003	Severn Trent Water (Wyelands)	4.040	12321.15	3.80	3.80
710	710	1425993500002	Wolverhampton Waste Services		443.38	1.00	1.00
711	711	1421696500001 1430000000906	Stoke CHP	0.756	11058.40	0.74	0.74
712	712	1428483000001 1429586500003	WBB Minerals	0.757	1724.02	1.34	1.34
713	713	1422804000005	Cauldon Cement	0.757	24585.23	2.43	2.43
714	714	1412791203000	Abson Gas Compressor Station		11154.74	3.75	3.75
715	715	1422108000000	Ervin Amasteel		23233.72	0.84	0.84
716	716	1426793500003	Hanford Waste Services	0.758	58.46	0.63	0.63

Note: The list of MPANs / MSIDs provided may be incomplete; the DNO reserves the right to apply the listed charges to any other MPANs / MSIDs associated with the site.

Annex 2a - Schedule of Import Charges for use of the Distribution System by Designated EHV Properties (including LDNOs with Designated EHV Properties/end-users).

Import Unique Identifier	LLFC/DUoS Tariff Id	Import MPANs/MSIDs	Name	Import Super Red unit charge (p/kWh)	Import fixed charge (p/day)	Import capacity charge (p/kVA/day)	Import exceeded capacity charge (p/kVA/day)
717	717	1422664500000 1425861000001	NR Kidsgrove	0.758	29581.01	1.50	1.50
718	718	1421664500008 1426342000002	NR Stafford		27740.25	1.08	1.08
719	719	1423124100000 1428564500005	NR Washwood Heath		31582.80	1.20	1.20
720	720	1420286500000	NR Winson Green		27827.03	1.60	1.60
721	721	1423566000006	NR Smethwick		41135.41	0.74	0.74
722	722	1424136000004	NR Willenhall		27611.72	0.92	0.92
723	723	1460002083346	Northwick AD		2.84	1.43	1.43
724	724	1430000027786 1430000027795 1430000027800 1430000027810 1430000027829 1430000027838 1430000027847 1430000027856	Inco Alloys	4.266	23490.23	1.96	1.96
725	725	1460002258662	Swancote	0.217	50.31	1.83	1.83
726	726	1460002256025	Spring Hill Solar generation		0.95	1.45	1.45

Note: The list of MPANs / MSIDs provided may be incomplete; the DNO reserves the right to apply the listed charges to any other MPANs / MSIDs associated with the site.

Annex 2a - Schedule of Import Charges for use of the Distribution System by Designated EHV Properties (including LDNOs with Designated EHV Properties/end-users).

Import Unique Identifier	LLFC/DUoS Tariff Id	Import MPANs/MSIDs	Name	Import Super Red unit charge (p/kWh)	Import fixed charge (p/day)	Import capacity charge (p/kVA/day)	Import exceeded capacity charge (p/kVA/day)
727	727	1460001869731 1460001869750	NG Wormington Gas Compressor	1.200	35054.76	1.49	1.49
728	728	1470000086156	Greenfrog STOR generation		1324.79	1.52	1.52
729	729	1470000223432	Union Road		11588.47	0.55	0.55
730	730	1423464500000 1429264500000	Quatt	3.203	10757.28	4.12	4.12
740	740	1425886500002	Knypersley	4.212	1319.69	0.82	0.82
742	742	1429414500005	Simplex	0.760	1518.41	5.66	5.66
743	743	1470000174885	Northwick STOR sub supply		1321.38	1.47	1.47
744	744	1428882200005	Star Aluminium	2.081	27529.75	1.47	1.47
770	770	1470000190520	Battlefield Incinerator	0.992	51.07	1.36	1.36
771	771	1470000275547	Says Court Farm PV		0.54	5.63	5.63
772	772	1470000283681	Hayford Fm PV Emdeded 2	0.934	2.67	1.56	1.56
773	773	1470000303901	Rotherdale Solar Farm		1327.44	3.15	3.15
774	774	1470000406449	Lower Newton Solar Farm	0.758	10.24	1.37	1.37
775	775	1470000416794	Wrockwardine Solar Farm	0.963	15.65	1.63	1.63
776	776	1470000425530	Conover Solar Farm	0.275	75.27	2.21	2.21
777	777	1470000426125	Tower Hill Farm PV		21.33	3.75	3.75
778	778	1470000429766	Hill House Farm Solar		7.14	2.94	2.94
779	779	1470000430089	Pitchford Farm Solar	0.284	39.34	2.36	2.36
780	780	1470000437749	Sundorne Solar Park	1.002	13.38	1.44	1.44
781	781	1470000473756	Hartlebury EFW		681.29	0.94	0.94
782	782	1470000478727	Upper Huntingford PV		7.94	1.21	1.21
783	783	1470000479190	Ring O Bells Solar		1330.74	3.83	3.83
784	784	1470000501641	Hall Farm PV Awre	3.618	2.00	3.76	3.76
785	785	1470000174928	5 Mile Drive Solar Park		0.95	1.75	1.75
786	786	1470000671023	Green Frog STOR Extension		1327.63	1.40	1.40
787	787	1426893200000	Invista Textiles Gas	7.368	10838.76	0.99	0.99

Note: The list of MPANs / MSIDs provided may be incomplete; the DNO reserves the right to apply the listed charges to any other MPANs / MSIDs associated with the site.

Annex 2a - Schedule of Import Charges for use of the Distribution System by Designated EHV Properties (including LDNOs with Designated EHV Properties/end-users).

Import Unique Identifier	LLFC/DUoS Tariff Id	Import MPANs/MSIDs	Name	Import Super Red unit charge (p/kWh)	Import fixed charge (p/day)	Import capacity charge (p/kVA/day)	Import exceeded capacity charge (p/kVA/day)
789	789	1425986500008 1429880000002	GKN Hadley Castle Wks	2.434	10777.89	2.22	2.22
790	790	1470001307916	RBSL GKN Hadley Castle	2.347	1382.41	1.93	1.93
794	794	1470000535881	Wickhamford PV		2.08	2.72	2.72
795	795	1470000540543	Yorkley Wood Farm PV	3.756	4.70	2.97	2.97
797	797	1470000542833	Bristol Rd Glos STOR	3.840	1.77	3.17	3.17
798	798	1470000542790	Actrees Farm PV		31.63	1.61	1.61
799	799	1470000548418	Sheriffhales Farm PV	0.930	2.93	1.80	1.80
801	801	1470000552432	Upper Wick Solar Farm		5.00	1.08	1.08
866	866	1470000597061	Astley Solar Farm		42.90	2.71	2.71
867	867	1470000444133	Hayford Fm PV Emdedded 1	0.993	1.23	2.01	2.01
868	868	1470000621946	Sheriffhales CIC PV	0.904	4.08	1.56	1.56
869	869	1470000630996	Wolverhampton Power STOR		39.60	0.88	0.88
870	870	1470000641872	Moneystone Quarry PV	0.759	14.83	0.87	0.87
871	871	1470000744921	Heywood Grange Farm PV	0.759	5.17	0.94	0.94
872	872	1470000668883	Garreg Lwyd Wind Farm		562.46	2.48	2.48
873	873	1470000711049	Henley Solar Farm PV		12.78	1.52	1.52
875	875	1470000723569	High Point Solar PV		4.20	1.20	1.20
876	876	1470000732304	Staunch Standby STOR	0.758	38.23	0.77	0.77
877	877	1470000733274	ISIS House STOR		12.40	1.80	1.80
878	878	1470000744940	Heywood Grange Bttry	0.758	64.68	0.81	0.81
879	879	1470000745039	Upper Meadowly Farm PV	0.268	93.79	1.92	1.92
880	880	1470000857235	Javelin Park EFW		1022.00	0.85	0.85
881	881	1470000878068	Rock Farm		599.49	1.05	1.05
883	883	1470000883192	Hinksford Farm Gas	2.419	3.81	1.56	1.56
884	884	1470000934926	Chatterley Whitfield	0.758	17.24	3.18	3.18
885	885	1470000937750	Larport Farm BESS		550.99	2.45	2.45
886	886	1470000970872	Sandwell Power STOR		157.25	0.88	0.88
887	887	1470000970890	Wednesbury Power		164.36	0.75	0.75
888	888	1470001204635	Bourne Road (Lower Strensham)		5.57	1.95	1.95
889	889	1470001524481	Bishampton Solar PV		13.77	1.51	1.51
890	890	1470001526140	Croome Airfield Solar Farm		73.32	1.82	1.82
891	891	1470001681430	Dormington Solar PV		47.98	2.41	2.41
892	892	1470001814385	Littleton Pastures		6.28	1.85	1.85
893	893	1470001891566	Cheswell Grange	0.967	20.25	2.05	2.05
894	894	1470001896402	Crimscote Fields Farm ESS & EFW ANM		176.81	1.65	1.65
895	895	1470001975835	Totmonslow Cottage	0.758	34.94	1.35	1.35

Note: The list of MPANs / MSIDs provided may be incomplete; the DNO reserves the right to apply the listed charges to any other MPANs / MSIDs associated with the site.

Annex 2a - Schedule of Import Charges for use of the Distribution System by Designated EHV Properties (including LDNOs with Designated EHV Properties/end-users).

Import Unique Identifier	LLFC/DUoS Tariff Id	Import MPANs/MSIDs	Name	Import Super Red unit charge (p/kWh)	Import fixed charge (p/day)	Import capacity charge (p/kVA/day)	Import exceeded capacity charge (p/kVA/day)
896	896	1470001985610	Henley Hall Squirrel Lane ESS & PV		188.67	1.32	1.32
897	897	1470002041306	Fryers Road Waste Generation		8026.71	0.56	0.56
2226	2226	2226	Cellarhead Barlaston (Meaford) Interconnector		115325.05	2.31	2.31
7070	7070	7070	Heartlands Power Ltd / Fort Dunlop		21.50	0.66	0.66
7337	7337	7337	Sudmeadow Rd STOR	4.060	45.96	1.19	1.19
7371	7371	7371	Bloxwich ESS		5384.40	0.57	0.57
7552	7552	7552	Berkeley Battery Storage 2		16305.60	0.57	0.57
7596	7596	7596	Wolverhampton West IDNO		356.65	0.58	0.58
0234	0234	0234	Cellarhead Whitfield Interconnector		115325.05	2.83	2.83
New Import 1	New Import 1	New Import 1	Penn, Blackpit Lane IDNO		628.94	0.24	0.24
New Import 2	New Import 2	New Import 2	Aston Somerville	3.761	22.29	1.09	1.09
New Import 3	New Import 3	New Import 3	Atherstone PV		3.50	2.36	2.36
New Import 4	New Import 4	New Import 4	Balladoole Solar A (Roundhill)		20.99	1.71	1.71
New Import 5	New Import 5	New Import 5	Bengrove Farm, Base Lane ESS & PV	3.835	25.31	1.14	1.14
New Import 6	New Import 6	New Import 6	Berrington Farm	0.967	1.92	1.88	1.88
New Import 7	New Import 7	New Import 7	Bickley Solar Farm IDNO		194.47	0.58	0.58
New Import 8	New Import 8	New Import 8	Black Flatts Farm		243.21	1.40	1.40
New Import 9	New Import 9	New Import 9	Blythe House Farm		1381.50	1.02	1.02
New Import 10	New Import 10	New Import 10	Brick House Solar		27.45	0.97	0.97
New Import 11	New Import 11	New Import 11	Bronze Cricket Club		628.94	0.57	0.57
New Import 12	New Import 12	New Import 12	Butterhill Farm		24.26	1.18	1.18
New Import 13	New Import 13	New Import 13	Cambridge Arms Shepherds Patch ESS		2963.76	0.57	0.57
New Import 14	New Import 14	New Import 14	Catherine De Barnes 1		1963.12	1.05	1.05
New Import 15	New Import 15	New Import 15	Catherine De Barnes 2		628.94	1.05	1.05
New Import 16	New Import 16	New Import 16	Cheadle BESS	0.758	2826.36	0.88	0.88
New Import 17	New Import 17	New Import 17	Chillington Estate		4249.87	1.22	1.22
New Import 18	New Import 18	New Import 18	County Lane		73.62	1.22	1.22
New Import 19	New Import 19	New Import 19	Twigworth Court Farm	3.761	12.98	1.61	1.61
New Import 20	New Import 20	New Import 20	Dawley Road	0.967	127.75	2.05	2.05
New Import 21	New Import 21	New Import 21	Fibden Farm		628.94	0.57	0.57
New Import 22	New Import 22	New Import 22	Frampton Solar		9.36	3.73	3.73
New Import 23	New Import 23	New Import 23	Greenfields farm		3931.05	0.57	0.57
New Import 24	New Import 24	New Import 24	Grey Friars Way		612.81	0.53	0.53
New Import 25	New Import 25	New Import 25	Hall Lane	0.277	14.29	2.30	2.30
New Import 26	New Import 26	New Import 26	Hill Court Solar Farm		628.94	0.86	0.86
New Import 27	New Import 27	New Import 27	Hilton Park North		17985.23	1.42	1.42
New Import 28	New Import 28	New Import 28	Hollybush		628.94	0.57	0.57
New Import 29	New Import 29	New Import 29	Home Farm		63.09	2.00	2.00
New Import 30	New Import 30	New Import 30	Illey Lane 1		628.94	0.54	0.54

Note: The list of MPANs / MSIDs provided may be incomplete; the DNO reserves the right to apply the listed charges to any other MPANs / MSIDs associated with the site.

Annex 2a - Schedule of Import Charges for use of the Distribution System by Designated EHV Properties (including LDNOs with Designated EHV Properties/end-users).

Import Unique Identifier	LLFC/DUoS Tariff Id	Import MPANs/MSIDs	Name	Import Super Red unit charge (p/kWh)	Import fixed charge (p/day)	Import capacity charge (p/kVA/day)	Import exceeded capacity charge (p/kVA/day)
New Import 31	New Import 31	New Import 31	Illey Lane 2		5298.58	0.65	0.65
New Import 32	New Import 32	New Import 32	Jaguar Land Rover		125243.89	1.71	1.71
New Import 33	New Import 33	New Import 33	Keele University	0.758	10807.98	2.77	2.77
New Import 34	New Import 34	New Import 34	Land at Biddlestone Orchards Llangarron ESS & PV		1629.58	3.32	3.32
New Import 35	New Import 35	New Import 35	Land East of Meadford	0.758	279.55	0.59	0.59
New Import 36	New Import 36	New Import 36	Lawn Lane		14.23	1.45	1.45
New Import 37	New Import 37	New Import 37	Highleadon Solar		12.92	3.73	3.73
New Import 38	New Import 38	New Import 38	Levedale Road		628.94	0.53	0.53
New Import 39	New Import 39	New Import 39	Locquiers Farm Plump Hill PV	3.761	13.64	3.32	3.32
New Import 40	New Import 40	New Import 40	Longland Solar Farm		26.79	2.06	2.06
New Import 41	New Import 41	New Import 41	Longney Estate		376.46	4.33	4.33
New Import 42	New Import 42	New Import 42	Lower Farm Solar		472.30	1.12	1.12
New Import 43	New Import 43	New Import 43	Lower Hanyards Farm		31.91	0.53	0.53
New Import 44	New Import 44	New Import 44	Lower Tean Leys		354.74	1.02	1.02
New Import 45	New Import 45	New Import 45	Lucozade Ribena	3.934	28300.37	3.97	3.97
New Import 46	New Import 46	New Import 46	Maisemore court farm PV		12.48	3.73	3.73
New Import 47	New Import 47	New Import 47	Meadow Solar Farm		39.53	0.97	0.97
New Import 48	New Import 48	New Import 48	Minsterley	0.990	948.45	1.38	1.38
New Import 49	New Import 49	New Import 49	Moreton Brook		19.85	1.40	1.40
New Import 50	New Import 50	New Import 50	New Buildings Fm		3.07	1.07	1.07
New Import 51	New Import 51	New Import 51	Norchard Farm Crossway Green PV		26.79	1.47	1.47
New Import 52	New Import 52	New Import 52	North Drayton Solar Farm, Alcester Road, Stratford on Avon		2.78	1.85	1.85
New Import 53	New Import 53	New Import 53	Ocker Hill BESS IDNO		628.94	0.40	0.40
New Import 54	New Import 54	New Import 54	Outclough Farm		1296.03	1.11	1.11
New Import 55	New Import 55	New Import 55	Peddimore Hall IDNO		107051.70	1.19	1.19
New Import 56	New Import 56	New Import 56	Peplow		993.25	1.14	1.14
New Import 57	New Import 57	New Import 57	Perseverance Old School Lane	3.761	184.83	1.19	1.19
New Import 58	New Import 58	New Import 58	Ploddy House Farm		48.16	3.73	3.73
New Import 59	New Import 59	New Import 59	Pontrilas Sawmill	2.625	1518.41	2.96	2.96
New Import 60	New Import 60	New Import 60	Preston Hill Farm		19.85	0.97	0.97
New Import 61	New Import 61	New Import 61	Rag Lane Solar		60.70	4.07	4.07
New Import 62	New Import 62	New Import 62	Rectory Farm 2		1294.15	1.02	1.02
New Import 63	New Import 63	New Import 63	Rocks Green		449.26	1.32	1.32
New Import 64	New Import 64	New Import 64	Rotherdale Farm CHP		300.27	1.85	1.85
New Import 65	New Import 65	New Import 65	Ryall IDNO		10.00	3.40	3.40
New Import 66	New Import 66	New Import 66	Steerway Solar Farm	0.967	90.05	2.05	2.05
New Import 67	New Import 67	New Import 67	Tean Leys Farm		622.59	0.53	0.53
New Import 68	New Import 68	New Import 68	Tiddlecross Lane	0.979	139.78	1.72	1.72

Note: The list of MPANs / MSIDs provided may be incomplete; the DNO reserves the right to apply the listed charges to any other MPANs / MSIDs associated with the site.

Annex 2a - Schedule of Import Charges for use of the Distribution System by Designated EHV Properties (including LDNOs with Designated EHV Properties/end-users).

Import Unique Identifier	LLFC/DUoS Tariff Id	Import MPANs/MSIDs	Name	Import Super Red unit charge (p/kWh)	Import fixed charge (p/day)	Import capacity charge (p/kVA/day)	Import exceeded capacity charge (p/kVA/day)
New Import 69	New Import 69	New Import 69	Upton Solar Farm		5.41	1.47	1.47
New Import 70	New Import 70	New Import 70	Whitehouse farm BESS		1796.35	0.59	0.59
New Import 71	New Import 71	New Import 71	Wistow Lodge Solar		18.87	1.68	1.68
New Import 72	New Import 72	New Import 72	WM Interchange Demand IDNO		104197.46	1.10	1.10
New Import 73	New Import 73	New Import 73	Worlds End PV		36.71	0.97	0.97
New Import 74	New Import 74	New Import 74	Yew Tree Farm		4395.43	1.03	1.03

Note: The list of MPANs / MSIDs provided may be incomplete; the DNO reserves the right to apply the listed charges to any other MPANs / MSIDs associated with the site.

National Grid Electricity Distribution (West Midlands) plc - Effective from 1 April 2027 - Final Designated EHV export charges

Export Unique Identifier	LLFC/DUoS Tariff Id	Export MPANs/MSIDs	Name	Export Super Red unit charge (p/kWh)	Export fixed charge (p/day)	Export capacity charge (p/kVA/day)	Export exceeded capacity charge (p/kVA/day)
925	925	1470001750800	Giffords Way		23477.10	0.05	0.05
91	91	1470001847405	Claydon ESS & PV	-3.864	1029.17	0.05	0.05
92	92	1470001871338	Dovedale Solar B		2579.14	0.05	0.05
933	933	1470000533253	Troughton Farm PV		2625.79	0.05	0.05
703	703	1430000005417	Tyseley Waste		1156.81	0.05	0.05
750	750	1470000097965	Four Ashes Incinerator	-0.512	699.02	0.05	0.05
751	751	1470000077950	Witches Farm Solar		1076.91	0.05	0.05
708	708	1430000001360 1430000001370	Uni of Birmingham				
732	732	1424993500000	Wolverhampton Waste Services				
733	733	1430000000915 1430000000924	Stoke CHP	-0.758	4922.40	0.05	0.05
734	734	1425793500001	Hanford Waste Services	-0.758	346.45	0.05	0.05
735	735	1430000033051 1430000033060	NR Kidsgrove				
736	736	1430000033098 1430000033103	NR Stafford				
741	741	1430000033070 1430000044090	NR Washwood Heath				
737	737	1430000033121	NR Winson Green				
738	738	1430000033089	NR Smethwick				
739	739	1430000033112	NR Willenhall				
748	748	1460002083355	Northwick AD	-1.194	56.85	0.05	0.05
749	749	1460002258671	Swancote	-1.995	1187.22	0.05	0.05
752	752	1460002256034	Spring Hill Solar generation		94.75	0.05	0.05

Note: The list of MPANs / MSIDs provided may be incomplete; the DNO reserves the right to apply the listed charges to any other MPANs / MSIDs associated with the site.

Annex 2b - Schedule of Export Charges for use of the Distribution System by Designated EHV Properties (including LDNOs with Designated EHV Properties/end-users).

Export Unique Identifier	LLFC/DUoS Tariff Id	Export MPANs/MSIDs	Name	Export Super Red unit charge (p/kWh)	Export fixed charge (p/day)	Export capacity charge (p/kVA/day)	Export exceeded capacity charge (p/kVA/day)
753	753	1470000086147	Greenfrog STOR generation	-1.194	379.77	0.05	0.05
754	754	1470000223441	Union Road		3313.02	0.05	0.05
731	731	1421464500007 1422464500009	Quatt		83.92	0.05	0.05
746	746	1426886500004	Knypersley				
915	915	1470000469625	Star Aluminium		770.62	0.05	0.05
755	755	1470000190530	Battlefield Incinerator	-2.115	353.85	0.05	0.05
756	756	1470000275556	Says Court Farm PV		404.38	0.05	0.05
757	757	1470000283690	Hayford Fm PV Emdedded 2		217.94	0.05	0.05
758	758	1470000303910	Rotherdale Solar Farm		1250.85	0.05	0.05
759	759	1470000406430	Lower Newton Solar Farm		1844.03	0.05	0.05
760	760	1470000416800	Wrockwardine Solar Farm		978.26	0.05	0.05
761	761	1470000425549	Conover Solar Farm		9408.23	0.05	0.05
762	762	1470000426134	Tower Hill Farm PV		1919.30	0.05	0.05
763	763	1470000429775	Hill House Farm Solar		5786.62	0.05	0.05
764	764	1470000430103	Pitchford Farm Solar		5900.90	0.05	0.05
765	765	1470000437758	Sundorne Solar Park		454.76	0.05	0.05
766	766	1470000473765	Hartlebury EFW	-0.533	4258.09	0.05	0.05
767	767	1470000478736	Upper Huntingford PV		1307.69	0.05	0.05
768	768	1470000479206	Ring O Bells Solar		1164.21	0.05	0.05
769	769	1470000501650	Hall Farm PV Awre		666.58	0.05	0.05
805	805	1470000174900	5 Mile Drive Solar Park		63.11	0.05	0.05
806	806	1470000671032	Green Frog STOR Extension	-1.194	80.92	0.05	0.05
807	807	1470000965881	Invista Textiles Gas		2.44	0.05	0.05
815	815	1470000535890	Wickhamford PV		1010.73	0.05	0.05
816	816	1470000540552	Yorkley Wood Farm PV		469.61	0.05	0.05
818	818	1470000542842	Bristol Rd Glos STOR	-4.593	1416.16	0.05	0.05
819	819	1470000542806	Actrees Farm PV		7115.89	0.05	0.05
820	820	1470000548427	Sheriffhales Farm PV		401.98	0.05	0.05
821	821	1470000552441	Upper Wick Solar Farm		419.96	0.05	0.05
824	824	1470000597070	Astley Solar Farm		2386.49	0.05	0.05
825	825	1470000444142	Hayford Fm PV Emdedded 1		183.08	0.05	0.05
826	826	1470000621955	Sheriffhales CIC PV		400.83	0.05	0.05
827	827	1470000631002	Wolverhampton Power STOR		2052.13	0.05	0.05
828	828	1470000641881	Moneystone Quarry PV		390.09	0.05	0.05
829	829	1470000744930	Heywood Grange Farm PV		270.38	0.05	0.05
830	830	1470000668892	Garreg Lwyd Wind Farm		53707.06	0.05	0.05
831	831	1470000711058	Henley Solar Farm PV		1022.76	0.05	0.05

Note: The list of MPANs / MSIDs provided may be incomplete; the DNO reserves the right to apply the listed charges to any other MPANs / MSIDs associated with the site.

Annex 2b - Schedule of Export Charges for use of the Distribution System by Designated EHV Properties (including LDNOs with Designated EHV Properties/end-users).

Export Unique Identifier	LLFC/DUoS Tariff Id	Export MPANs/MSIDs	Name	Export Super Red unit charge (p/kWh)	Export fixed charge (p/day)	Export capacity charge (p/kVA/day)	Export exceeded capacity charge (p/kVA/day)
833	833	1470000723578	High Point Solar PV		400.72	0.05	0.05
834	834	1470000732313	Staunch Standby STOR	-0.758	1529.26	0.05	0.05
835	835	1470000733283	ISIS House STOR	-1.194	1239.90	0.05	0.05
836	836	1470000744959	Heywood Grange Bttry	-1.124	64.68	0.05	0.05
837	837	1470000745048	Upper Meadowly Farm PV		5861.86	0.05	0.05
838	838	1470000857244	Javelin Park EFW	-0.407	11247.62	0.05	0.05
839	839	1470000878086	Rock Farm	-0.655	599.49	0.05	0.05
841	841	1470000883208	Hinksford Farm Gas	-2.422	761.91	0.05	0.05
7413	7413	7413	Chatterley Whitfield	-4.158	844.07	0.05	0.05
843	843	1470000937769	Larport Farm BESS	-2.583	550.99	0.05	0.05
844	844	1470000970881	Sandwell Power STOR		4928.79	0.05	0.05
845	845	1470000970906	Wednesbury Power		5014.19	0.05	0.05
846	846	1470001204644	Bourne Road (Lower Strensham)		1393.68	0.05	0.05
847	847	1470001524515	Bishampton Solar PV		826.13	0.05	0.05
848	848	1470001526150	Croome Airfield Solar Farm		9776.30	0.05	0.05
849	849	1470001681495	Dormington Solar PV		648.65	0.05	0.05
850	850	1470001814437	Littleton Pastures		690.35	0.05	0.05
851	851	1470001891575	Cheswell Grange		384.67	0.05	0.05
852	852	1470001896411	Crimscote Fields Farm ESS & EFW ANM	-1.194	2357.45	0.05	0.05
853	853	1470001975914	Totmonslow Cottage		524.16	0.05	0.05
854	854	1470001985620	Henley Hall Squirrel Lane ESS & PV	-0.655	216.24	0.05	0.05
855	855	1470002041315	Fryers Road Waste Generation		57333.64	0.05	0.05
7070	7070	7070	Heartlands Power Ltd / Fort Dunlop		1236.38	0.05	0.05
7338	7338	7338	Sudmeadow Rd STOR	-4.593	1279.46	0.05	0.05
7375	7375	7375	Bloxwich ESS		5384.40	0.05	0.05
7553	7553	7553	Berkeley Battery Storage 2		16305.60	0.05	0.05
7597	7597	7597	Wolverhampton West IDNO		356.65	0.05	0.05
745	745	1430000021836	Redditch Gas Turbine				
New Export 1	New Export 1	New Export 1	Penn, Blackpit Lane IDNO		628.94	0.05	0.05
New Export 2	New Export 2	New Export 2	Aston Somerville		2786.81	0.05	0.05
New Export 3	New Export 3	New Export 3	Atherstone PV		909.32	0.05	0.05
New Export 4	New Export 4	New Export 4	Balladoole Solar A (Roundhill)		4188.75	0.05	0.05
New Export 5	New Export 5	New Export 5	Bengrove Farm, Base Lane ESS & PV		379.61	0.05	0.05
New Export 6	New Export 6	New Export 6	Berrington Farm		403.00	0.05	0.05
New Export 7	New Export 7	New Export 7	Bickley Solar Farm IDNO		364.63	0.05	0.05
New Export 8	New Export 8	New Export 8	Black Flatts Farm		17024.88	0.05	0.05
New Export 9	New Export 9	New Export 9	Blythe House Farm		3623.62	0.05	0.05
New Export 10	New Export 10	New Export 10	Brick House Solar		4565.89	0.05	0.05
New Export 11	New Export 11	New Export 11	Bronze Cricket Club		628.94	0.05	0.05
New Export 12	New Export 12	New Export 12	Butterhill Farm		3234.89	0.05	0.05

Note: The list of MPANs / MSIDs provided may be incomplete; the DNO reserves the right to apply the listed charges to any other MPANs / MSIDs associated with the site.

Annex 2b - Schedule of Export Charges for use of the Distribution System by Designated EHV Properties (including LDNOs with Designated EHV Properties/end-users).

Export Unique Identifier	LLFC/DUoS Tariff Id	Export MPANs/MSIDs	Name	Export Super Red unit charge (p/kWh)	Export fixed charge (p/day)	Export capacity charge (p/kVA/day)	Export exceeded capacity charge (p/kVA/day)
New Export 13	New Export 13	New Export 13	Cambridge Arms Shepherds Patch ESS		2963.76	0.05	0.05
New Export 14	New Export 14	New Export 14	Catherine De Barnes 1	-0.624	1963.12	0.05	0.05
New Export 15	New Export 15	New Export 15	Catherine De Barnes 2	-0.624	628.94	0.05	0.05
New Export 16	New Export 16	New Export 16	Cheadle BESS	-1.124	2975.11	0.05	0.05
New Export 17	New Export 17	New Export 17	Chillington Estate	-0.512	4249.87	0.05	0.05
New Export 18	New Export 18	New Export 18	County Lane	-0.512	331.30	0.05	0.05
New Export 19	New Export 19	New Export 19	Twigworth Court Farm		391.94	0.05	0.05
New Export 20	New Export 20	New Export 20	Dawley Road		5365.35	0.05	0.05
New Export 21	New Export 21	New Export 21	Fibden Farm		628.94	0.05	0.05
New Export 22	New Export 22	New Export 22	Frampton Solar		1248.52	0.05	0.05
New Export 23	New Export 23	New Export 23	Greenfields farm		3931.05	0.05	0.05
New Export 24	New Export 24	New Export 24	Grey Friars Way		645.06	0.05	0.05
New Export 25	New Export 25	New Export 25	Hall Lane		2857.62	0.05	0.05
New Export 26	New Export 26	New Export 26	Hill Court Solar Farm		628.94	0.05	0.05
New Export 28	New Export 28	New Export 28	Hollybush		628.94	0.05	0.05
New Export 29	New Export 29	New Export 29	Home Farm		6308.56	0.05	0.05
New Export 30	New Export 30	New Export 30	Illey Lane 1	-0.114	628.94	0.05	0.05
New Export 31	New Export 31	New Export 31	Illey Lane 2	-0.114	5298.58	0.05	0.05
New Export 32	New Export 32	New Export 32	Jaguar Land Rover		5046.37	0.05	0.05
New Export 33	New Export 33	New Export 33	Keele University		33.22	0.05	0.05
New Export 34	New Export 34	New Export 34	Land at Biddlestone Orchards Llangarron ESS & PV	-3.864	1629.58	0.05	0.05
New Export 35	New Export 35	New Export 35	Land East of Meadford	-0.760	279.55	0.05	0.05
New Export 36	New Export 36	New Export 36	Lawn Lane		5633.05	0.05	0.05
New Export 37	New Export 37	New Export 37	Highleadon Solar		2579.14	0.05	0.05
New Export 38	New Export 38	New Export 38	Levedale Road		628.94	0.05	0.05
New Export 39	New Export 39	New Export 39	Locquiers Farm Plump Hill PV		545.47	0.05	0.05
New Export 40	New Export 40	New Export 40	Longland Solar Farm		669.84	0.05	0.05
New Export 41	New Export 41	New Export 41	Longney Estate		38413.97	0.05	0.05
New Export 42	New Export 42	New Export 42	Lower Farm Solar		785.58	0.05	0.05
New Export 43	New Export 43	New Export 43	Lower Hanyards Farm		7896.89	0.05	0.05
New Export 44	New Export 44	New Export 44	Lower Tean Leys		903.14	0.05	0.05
New Export 46	New Export 46	New Export 46	Maisemore court farm PV		1245.40	0.05	0.05
New Export 47	New Export 47	New Export 47	Meadow Solar Farm		5887.99	0.05	0.05
New Export 48	New Export 48	New Export 48	Minsterley	-2.115	998.34	0.05	0.05
New Export 49	New Export 49	New Export 49	Moreton Brook		1238.03	0.05	0.05
New Export 50	New Export 50	New Export 50	New Buildings Fm		1254.80	0.05	0.05
New Export 51	New Export 51	New Export 51	Norchard Farm Crossway Green PV		669.84	0.05	0.05
New Export 52	New Export 52	New Export 52	North Drayton Solar Farm, Alcester Road, Stratford on Avon		693.85	0.05	0.05
New Export 53	New Export 53	New Export 53	Ocker Hill BESS IDNO		628.94	0.05	0.05
New Export 54	New Export 54	New Export 54	Outclough Farm	-0.758	1296.03	0.05	0.05

Note: The list of MPANs / MSIDs provided may be incomplete; the DNO reserves the right to apply the listed charges to any other MPANs / MSIDs associated with the site.

Annex 2b - Schedule of Export Charges for use of the Distribution System by Designated EHV Properties (including LDNOs with Designated EHV Properties/end-users).

Export Unique Identifier	LLFC/DUoS Tariff Id	Export MPANs/MSIDs	Name	Export Super Red unit charge (p/kWh)	Export fixed charge (p/day)	Export capacity charge (p/kVA/day)	Export exceeded capacity charge (p/kVA/day)
New Export 56	New Export 56	New Export 56	Peplow		100328.44	0.05	0.05
New Export 57	New Export 57	New Export 57	Perseverance Old School Lane	-4.016	646.92	0.05	0.05
New Export 58	New Export 58	New Export 58	Ploddy House Farm		3210.99	0.05	0.05
New Export 59	New Export 59	New Export 59	Preston Hill Farm		1238.03	0.05	0.05
New Export 60	New Export 60	New Export 60	Rag Lane Solar		12139.54	0.05	0.05
New Export 61	New Export 61	New Export 61	Rectory Farm 2	-0.533	1294.15	0.05	0.05
New Export 62	New Export 62	New Export 62	Rocks Green	-0.655	1497.53	0.05	0.05
New Export 63	New Export 63	New Export 63	Rotherdale Farm CHP	-1.194	396.36	0.05	0.05
New Export 64	New Export 64	New Export 64	Ryall IDNO		1247.88	0.05	0.05
New Export 65	New Export 65	New Export 65	Steerway Solar Farm		5403.04	0.05	0.05
New Export 66	New Export 66	New Export 66	Tean Leys Farm		635.29	0.05	0.05
New Export 67	New Export 67	New Export 67	Tiddlecross Lane	-2.115	419.33	0.05	0.05
New Export 68	New Export 68	New Export 68	Upton Solar Farm		691.22	0.05	0.05
New Export 69	New Export 69	New Export 69	Whitehouse farm BESS		1796.35	0.05	0.05
New Export 70	New Export 70	New Export 70	Wistow Lodge Solar		1572.55	0.05	0.05
New Export 71	New Export 71	New Export 71	Worlds End PV		1221.17	0.05	0.05
New Export 72	New Export 72	New Export 72	Yew Tree Farm		4395.43	0.05	0.05

Note: The list of MPANs / MSIDs provided may be incomplete; the DNO reserves the right to apply the listed charges to any other MPANs / MSIDs associated with the site.

Annex 3 - Schedule of Charges for use of the Distribution System to Preserved/Additional LLFC Classes

We currently do not have any Preserved/Additional LLFC Classes.

National Grid Electricity Distribution (West Midlands) plc - Effective from 1 April 2027 - Final LV and HV tariffs									
Supercustomer preserved charges/additional LLFCs									
	Closed LLFCs	PCs	Red/black unit charge p/kWh	Amber/yellow unit charge p/kWh	Green unit charge p/kWh	Fixed charge p/MPAN/day			
Notes:	[Add DNO specific notes relevant to charges]								

Site Specific preserved charges/additional LLFCs									
	Closed LLFCs	PCs	Red/black unit charge p/kWh	Amber/yellow unit charge p/kWh	Green unit charge p/kWh	Fixed charge p/MPAN/day	Capacity charge p/kVA/day	Exceeded capacity charge p/kVA/day	Reactive power charge p/kVArh
		0							
Notes:	Time periods [Add DNO specific notes relevant to charges] Unit charges in the red time band apply – between [xxxx] and [xxxx], Monday to Friday including bank holidays. Unit charges in the amber time band apply – between [xxxx] and [xxxx], Monday to Friday including bank holidays. Unit charges in the green time band apply – between [xxxx] and [xxxx], Monday to Friday including bank holidays, and [xxxx] and [xxxx] Saturday and Sunday. All times are UK clock-time. [Add DNO specific notes]								

Annex 4 - Charges applied to LDNOs with HV/LV end users

National Grid Electricity Distribution (West Midlands) plc - Effective from 1 April 2027 - Final LDNO tariffs

Time Bands for LV and HV Designated Properties			
Time periods	Red Time Band	Amber Time Band	Green Time Band
Monday to Friday (Including Bank Holidays) All Year	16:00 to 19:00	07:30 to 16:00 19:00 to 21:00	00:00 to 07:30 21:00 to 24:00
Saturday and Sunday All Year			00:00 to 24:00
Notes	All the above times are in UK Clock time		

Time Bands for Unmetered Properties			
	Black Time Band	Yellow Time Band	Green Time Band
Monday to Friday (Including Bank Holidays) Nov to Feb Inclusive	16:00 to 19:00	07:30 to 16:00 19:00 to 21:00	00:00 to 07:30 21:00 to 24:00
Monday to Friday (Including Bank Holidays) Mar to Oct Inclusive		07:30 to 21:00	00:00 to 07:30 21:00 to 24:00
Saturday and Sunday All Year			00:00 to 24:00
Notes	All the above times are in UK Clock time		

Tariff name	Unique billing identifier	PCs	Red/black unit charge p/kWh	Amber/yellow unit charge p/kWh	Green unit charge p/kWh	Fixed charge p/MPAN/day	Capacity charge p/kVA/day	Exceeded capacity charge p/kVA/day	Reactive power charge p/kVArh
LDNO LV: Domestic Aggregated or CT with Residual		0, 1, 2	7.675	0.965	0.119	10.66			
LDNO LV: Domestic Aggregated (related MPAN)		2	7.675	0.965	0.119				
LDNO LV: Non-Domestic Aggregated or CT No Residual		0, 3, 4, 5-8	6.934	0.872	0.108	9.82			
LDNO LV: Non-Domestic Aggregated or CT Band 1		0, 3, 4, 5-8	6.934	0.872	0.108	12.58			
LDNO LV: Non-Domestic Aggregated or CT Band 2		0, 3, 4, 5-8	6.934	0.872	0.108	20.49			
LDNO LV: Non-Domestic Aggregated or CT Band 3		0, 3, 4, 5-8	6.934	0.872	0.108	32.78			
LDNO LV: Non-Domestic Aggregated or CT Band 4		0, 3, 4, 5-8	6.934	0.872	0.108	69.22			
LDNO LV: Non-Domestic Aggregated (related MPAN)		4	6.934	0.872	0.108				
LDNO LV: LV Site Specific No Residual		0	4.429	0.550	0.061	9.82	7.12	7.12	0.096
LDNO LV: LV Site Specific Band 1		0	4.429	0.550	0.061	109.65	7.12	7.12	0.096
LDNO LV: LV Site Specific Band 2		0	4.429	0.550	0.061	187.15	7.12	7.12	0.096
LDNO LV: LV Site Specific Band 3		0	4.429	0.550	0.061	288.47	7.12	7.12	0.096
LDNO LV: LV Site Specific Band 4		0	4.429	0.550	0.061	514.35	7.12	7.12	0.096
LDNO LV: Unmetered Supplies		0, 1 or 8	27.606	2.122	1.267				
LDNO LV: LV Generation Aggregated		0	-7.505	-0.944	-0.117	0.00			
LDNO LV: LV Generation Site Specific		0	-7.505	-0.944	-0.117	0.00			0.209
LDNO HV: Domestic Aggregated or CT with Residual		0, 1, 2	5.927	0.745	0.092	8.23			
LDNO HV: Domestic Aggregated (Related MPAN)		2	5.927	0.745	0.092				
LDNO HV: Non-Domestic Aggregated or CT No Residual		0, 3, 4, 5-8	5.355	0.673	0.083	7.59			
LDNO HV: Non-Domestic Aggregated or CT Band 1		0, 3, 4, 5-8	5.355	0.673	0.083	9.71			
LDNO HV: Non-Domestic Aggregated or CT Band 2		0, 3, 4, 5-8	5.355	0.673	0.083	15.82			
LDNO HV: Non-Domestic Aggregated or CT Band 3		0, 3, 4, 5-8	5.355	0.673	0.083	25.31			
LDNO HV: Non-Domestic Aggregated or CT Band 4		0, 3, 4, 5-8	5.355	0.673	0.083	53.46			
LDNO HV: Non-Domestic Aggregated (related MPAN)		4	5.355	0.673	0.083				
LDNO HV: LV Site Specific No Residual		0	3.420	0.425	0.047	7.58	5.50	5.50	0.074
LDNO HV: LV Site Specific Band 1		0	3.420	0.425	0.047	84.68	5.50	5.50	0.074
LDNO HV: LV Site Specific Band 2		0	3.420	0.425	0.047	144.54	5.50	5.50	0.074
LDNO HV: LV Site Specific Band 3		0	3.420	0.425	0.047	222.79	5.50	5.50	0.074
LDNO HV: LV Site Specific Band 4		0	3.420	0.425	0.047	397.24	5.50	5.50	0.074
LDNO HV: LV Sub Site Specific No Residual		0	3.062	0.367	0.026	9.65	7.69	7.69	0.065
LDNO HV: LV Sub Site Specific Band 1		0	3.062	0.367	0.026	135.37	7.69	7.69	0.065
LDNO HV: LV Sub Site Specific Band 2		0	3.062	0.367	0.026	232.97	7.69	7.69	0.065
LDNO HV: LV Sub Site Specific Band 3		0	3.062	0.367	0.026	360.57	7.69	7.69	0.065
LDNO HV: LV Sub Site Specific Band 4		0	3.062	0.367	0.026	645.03	7.69	7.69	0.065
LDNO HV: HV Site Specific No Residual		0	1.722	0.195	0.010	102.14	8.88	8.88	0.033
LDNO HV: HV Site Specific Band 1		0	1.722	0.195	0.010	979.68	8.88	8.88	0.033
LDNO HV: HV Site Specific Band 2		0	1.722	0.195	0.010	2739.47	8.88	8.88	0.033
LDNO HV: HV Site Specific Band 3		0	1.722	0.195	0.010	5357.49	8.88	8.88	0.033
LDNO HV: HV Site Specific Band 4		0	1.722	0.195	0.010	12021.82	8.88	8.88	0.033
LDNO HV: Unmetered Supplies		0, 1 or 8	21.321	1.639	0.979				
LDNO HV: LV Generation Aggregated		0	-7.505	-0.944	-0.117	0.00			
LDNO HV: LV Sub Generation Aggregated		0	-5.915	-0.738	-0.085	0.00			

Note: Where a tariff only has a p/kWh unit rate in Unit Charge 1 then this unit rate applies at all times.

Annex 4 - Charges applied to LDNOs with HV/LV end users

Tariff name	Unique billing identifier	PCs	Red/black unit charge p/kWh	Amber/yellow unit charge p/kWh	Green unit charge p/kWh	Fixed charge p/MPAN/day	Capacity charge p/kVA/day	Exceeded capacity charge p/kVA/day	Reactive power charge p/kVArh
LDNO HV: LV Generation Site Specific		0	-7.505	-0.944	-0.117	0.00			0.209
LDNO HV: LV Sub Generation Site Specific		0	-5.915	-0.738	-0.085	0.00			0.140
LDNO HV: HV Generation Site Specific		0	-2.889	-0.346	-0.024	0.00			0.110
LDNO HVplus: Domestic Aggregated or CT with Residual		0, 1, 2	4.792	0.602	0.074	6.65			
LDNO HVplus: Domestic Aggregated (related MPAN)		2	4.792	0.602	0.074				
LDNO HVplus: Non-Domestic Aggregated or CT No Residual		0, 3, 4, 5-8	4.329	0.544	0.067	6.13			
LDNO HVplus: Non-Domestic Aggregated or CT Band 1		0, 3, 4, 5-8	4.329	0.544	0.067	7.85			
LDNO HVplus: Non-Domestic Aggregated or CT Band 2		0, 3, 4, 5-8	4.329	0.544	0.067	12.79			
LDNO HVplus: Non-Domestic Aggregated or CT Band 3		0, 3, 4, 5-8	4.329	0.544	0.067	20.46			
LDNO HVplus: Non-Domestic Aggregated or CT Band 4		0, 3, 4, 5-8	4.329	0.544	0.067	43.22			
LDNO HVplus: Non-Domestic Aggregated (related MPAN)		4	4.329	0.544	0.067				
LDNO HVplus: LV Site Specific No Residual		0	2.765	0.344	0.038	6.13	4.45	4.45	0.060
LDNO HVplus: LV Site Specific Band 1		0	2.765	0.344	0.038	68.46	4.45	4.45	0.060
LDNO HVplus: LV Site Specific Band 2		0	2.765	0.344	0.038	116.85	4.45	4.45	0.060
LDNO HVplus: LV Site Specific Band 3		0	2.765	0.344	0.038	180.11	4.45	4.45	0.060
LDNO HVplus: LV Site Specific Band 4		0	2.765	0.344	0.038	321.14	4.45	4.45	0.060
LDNO HVplus: LV Sub Site Specific No Residual		0	2.418	0.290	0.020	7.62	6.08	6.08	0.052
LDNO HVplus: LV Sub Site Specific Band 1		0	2.418	0.290	0.020	106.92	6.08	6.08	0.052
LDNO HVplus: LV Sub Site Specific Band 2		0	2.418	0.290	0.020	184.01	6.08	6.08	0.052
LDNO HVplus: LV Sub Site Specific Band 3		0	2.418	0.290	0.020	284.79	6.08	6.08	0.052
LDNO HVplus: LV Sub Site Specific Band 4		0	2.418	0.290	0.020	509.47	6.08	6.08	0.052
LDNO HVplus: HV Site Specific No Residual		0	1.346	0.152	0.008	79.87	6.95	6.95	0.026
LDNO HVplus: HV Site Specific Band 1		0	1.346	0.152	0.008	766.07	6.95	6.95	0.026
LDNO HVplus: HV Site Specific Band 2		0	1.346	0.152	0.008	2142.15	6.95	6.95	0.026
LDNO HVplus: HV Site Specific Band 3		0	1.346	0.152	0.008	4189.34	6.95	6.95	0.026
LDNO HVplus: HV Site Specific Band 4		0	1.346	0.152	0.008	9400.56	6.95	6.95	0.026
LDNO HVplus: Unmetered Supplies		0, 1 or 8	17.236	1.325	0.791				
LDNO HVplus: LV Generation Aggregated		0	-4.743	-0.596	-0.074	0.00			
LDNO HVplus: LV Sub Generation Aggregated		0	-4.241	-0.529	-0.061	0.00			
LDNO HVplus: LV Generation Site Specific		0	-4.743	-0.596	-0.074	0.00			0.132
LDNO HVplus: LV Sub Generation Site Specific		0	-4.241	-0.529	-0.061	0.00			0.100
LDNO HVplus: HV Generation Site Specific		0	-2.889	-0.346	-0.024	69.71			0.110
LDNO EHV: Domestic Aggregated or CT with Residual		0, 1, 2	3.873	0.487	0.060	5.38			
LDNO EHV: Domestic Aggregated (related MPAN)		2	3.873	0.487	0.060				
LDNO EHV: Non-Domestic Aggregated or CT No Residual		0, 3, 4, 5-8	3.500	0.440	0.054	4.96			
LDNO EHV: Non-Domestic Aggregated or CT Band 1		0, 3, 4, 5-8	3.500	0.440	0.054	6.35			
LDNO EHV: Non-Domestic Aggregated or CT Band 2		0, 3, 4, 5-8	3.500	0.440	0.054	10.34			
LDNO EHV: Non-Domestic Aggregated or CT Band 3		0, 3, 4, 5-8	3.500	0.440	0.054	16.54			
LDNO EHV: Non-Domestic Aggregated or CT Band 4		0, 3, 4, 5-8	3.500	0.440	0.054	34.94			
LDNO EHV: Non-Domestic Aggregated (related MPAN)		4	3.500	0.440	0.054				
LDNO EHV: LV Site Specific No Residual		0	2.235	0.278	0.031	4.96	3.59	3.59	0.049
LDNO EHV: LV Site Specific Band 1		0	2.235	0.278	0.031	55.34	3.59	3.59	0.049
LDNO EHV: LV Site Specific Band 2		0	2.235	0.278	0.031	94.46	3.59	3.59	0.049
LDNO EHV: LV Site Specific Band 3		0	2.235	0.278	0.031	145.59	3.59	3.59	0.049
LDNO EHV: LV Site Specific Band 4		0	2.235	0.278	0.031	259.59	3.59	3.59	0.049
LDNO EHV: LV Sub Site Specific No Residual		0	1.955	0.234	0.016	6.16	4.91	4.91	0.042
LDNO EHV: LV Sub Site Specific Band 1		0	1.955	0.234	0.016	86.43	4.91	4.91	0.042
LDNO EHV: LV Sub Site Specific Band 2		0	1.955	0.234	0.016	148.75	4.91	4.91	0.042
LDNO EHV: LV Sub Site Specific Band 3		0	1.955	0.234	0.016	230.21	4.91	4.91	0.042
LDNO EHV: LV Sub Site Specific Band 4		0	1.955	0.234	0.016	411.84	4.91	4.91	0.042
LDNO EHV: HV Site Specific No Residual		0	1.088	0.123	0.006	64.56	5.62	5.62	0.021
LDNO EHV: HV Site Specific Band 1		0	1.088	0.123	0.006	619.26	5.62	5.62	0.021
LDNO EHV: HV Site Specific Band 2		0	1.088	0.123	0.006	1731.62	5.62	5.62	0.021
LDNO EHV: HV Site Specific Band 3		0	1.088	0.123	0.006	3386.47	5.62	5.62	0.021
LDNO EHV: HV Site Specific Band 4		0	1.088	0.123	0.006	7598.99	5.62	5.62	0.021
LDNO EHV: Unmetered Supplies		0, 1 or 8	13.933	1.071	0.639				
LDNO EHV: LV Generation Aggregated		0	-3.834	-0.482	-0.060	0.00			

Note: Where a tariff only has a p/kWh unit rate in Unit Charge 1 then this unit rate applies at all times.

Annex 4 - Charges applied to LDNOs with HV/LV end users

Tariff name	Unique billing identifier	PCs	Red/black unit charge p/kWh	Amber/yellow unit charge p/kWh	Green unit charge p/kWh	Fixed charge p/MPAN/day	Capacity charge p/kVA/day	Exceeded capacity charge p/kVA/day	Reactive power charge p/kVAh
LDNO EHV: LV Sub Generation Aggregated		0	-3.429	-0.428	-0.049	0.00			
LDNO EHV: LV Generation Site Specific		0	-3.834	-0.482	-0.060	0.00			0.107
LDNO EHV: LV Sub Generation Site Specific		0	-3.429	-0.428	-0.049	0.00			0.081
LDNO EHV: HV Generation Site Specific		0	-2.335	-0.280	-0.019	56.35			0.089
LDNO 132kV/EHV: Domestic Aggregated or CT with Residual		0, 1, 2	3.713	0.467	0.058	5.16			
LDNO 132kV/EHV: Domestic Aggregated (related MPAN)		2	3.713	0.467	0.058				
LDNO 132kV/EHV: Non-Domestic Aggregated or CT No Residual		0, 3, 4, 5-8	3.355	0.422	0.052	4.75			
LDNO 132kV/EHV: Non-Domestic Aggregated or CT Band 1		0, 3, 4, 5-8	3.355	0.422	0.052	6.08			
LDNO 132kV/EHV: Non-Domestic Aggregated or CT Band 2		0, 3, 4, 5-8	3.355	0.422	0.052	9.91			
LDNO 132kV/EHV: Non-Domestic Aggregated or CT Band 3		0, 3, 4, 5-8	3.355	0.422	0.052	15.86			
LDNO 132kV/EHV: Non-Domestic Aggregated or CT Band 4		0, 3, 4, 5-8	3.355	0.422	0.052	33.49			
LDNO 132kV/EHV: Non-Domestic Aggregated (related MPAN)		4	3.355	0.422	0.052				
LDNO 132kV/EHV: LV Site Specific No Residual		0	2.143	0.266	0.029	4.75	3.45	3.45	0.047
LDNO 132kV/EHV: LV Site Specific Band 1		0	2.143	0.266	0.029	53.05	3.45	3.45	0.047
LDNO 132kV/EHV: LV Site Specific Band 2		0	2.143	0.266	0.029	90.54	3.45	3.45	0.047
LDNO 132kV/EHV: LV Site Specific Band 3		0	2.143	0.266	0.029	139.56	3.45	3.45	0.047
LDNO 132kV/EHV: LV Site Specific Band 4		0	2.143	0.266	0.029	248.84	3.45	3.45	0.047
LDNO 132kV/EHV: LV Sub Site Specific No Residual		0	1.874	0.225	0.016	5.91	4.71	4.71	0.040
LDNO 132kV/EHV: LV Sub Site Specific Band 1		0	1.874	0.225	0.016	82.85	4.71	4.71	0.040
LDNO 132kV/EHV: LV Sub Site Specific Band 2		0	1.874	0.225	0.016	142.58	4.71	4.71	0.040
LDNO 132kV/EHV: LV Sub Site Specific Band 3		0	1.874	0.225	0.016	220.67	4.71	4.71	0.040
LDNO 132kV/EHV: LV Sub Site Specific Band 4		0	1.874	0.225	0.016	394.77	4.71	4.71	0.040
LDNO 132kV/EHV: HV Site Specific No Residual		0	1.043	0.118	0.006	61.88	5.38	5.38	0.020
LDNO 132kV/EHV: HV Site Specific Band 1		0	1.043	0.118	0.006	593.59	5.38	5.38	0.020
LDNO 132kV/EHV: HV Site Specific Band 2		0	1.043	0.118	0.006	1659.85	5.38	5.38	0.020
LDNO 132kV/EHV: HV Site Specific Band 3		0	1.043	0.118	0.006	3246.11	5.38	5.38	0.020
LDNO 132kV/EHV: HV Site Specific Band 4		0	1.043	0.118	0.006	7284.03	5.38	5.38	0.020
LDNO 132kV/EHV: Unmetered Supplies		0, 1 or 8	13.355	1.027	0.613				
LDNO 132kV/EHV: LV Generation Aggregated		0	-3.675	-0.462	-0.057	0.00			
LDNO 132kV/EHV: LV Sub Generation Aggregated		0	-3.286	-0.410	-0.047	0.00			
LDNO 132kV/EHV: LV Generation Site Specific		0	-3.675	-0.462	-0.057	0.00			0.102
LDNO 132kV/EHV: LV Sub Generation Site Specific		0	-3.286	-0.410	-0.047	0.00			0.078
LDNO 132kV/EHV: HV Generation Site Specific		0	-2.238	-0.268	-0.019	54.01			0.085
LDNO 132kV: Domestic Aggregated or CT with Residual		0, 1, 2	2.436	0.306	0.038	3.38			
LDNO 132kV: Domestic Aggregated (related MPAN)		2	2.436	0.306	0.038				
LDNO 132kV: Non-Domestic Aggregated or CT No Residual		0, 3, 4, 5-8	2.201	0.277	0.034	3.12			
LDNO 132kV: Non-Domestic Aggregated or CT Band 1		0, 3, 4, 5-8	2.201	0.277	0.034	3.99			
LDNO 132kV: Non-Domestic Aggregated or CT Band 2		0, 3, 4, 5-8	2.201	0.277	0.034	6.50			
LDNO 132kV: Non-Domestic Aggregated or CT Band 3		0, 3, 4, 5-8	2.201	0.277	0.034	10.40			
LDNO 132kV: Non-Domestic Aggregated or CT Band 4		0, 3, 4, 5-8	2.201	0.277	0.034	21.97			
LDNO 132kV: Non-Domestic Aggregated (related MPAN)		4	2.201	0.277	0.034				
LDNO 132kV: LV Site Specific No Residual		0	1.405	0.175	0.019	3.12	2.26	2.26	0.031
LDNO 132kV: LV Site Specific Band 1		0	1.405	0.175	0.019	34.80	2.26	2.26	0.031
LDNO 132kV: LV Site Specific Band 2		0	1.405	0.175	0.019	59.39	2.26	2.26	0.031
LDNO 132kV: LV Site Specific Band 3		0	1.405	0.175	0.019	91.55	2.26	2.26	0.031
LDNO 132kV: LV Site Specific Band 4		0	1.405	0.175	0.019	163.23	2.26	2.26	0.031
LDNO 132kV: LV Sub Site Specific No Residual		0	1.229	0.147	0.010	3.88	3.09	3.09	0.026
LDNO 132kV: LV Sub Site Specific Band 1		0	1.229	0.147	0.010	54.35	3.09	3.09	0.026
LDNO 132kV: LV Sub Site Specific Band 2		0	1.229	0.147	0.010	93.53	3.09	3.09	0.026
LDNO 132kV: LV Sub Site Specific Band 3		0	1.229	0.147	0.010	144.75	3.09	3.09	0.026
LDNO 132kV: LV Sub Site Specific Band 4		0	1.229	0.147	0.010	258.96	3.09	3.09	0.026
LDNO 132kV: HV Site Specific No Residual		0	0.684	0.077	0.004	40.59	3.53	3.53	0.013
LDNO 132kV: HV Site Specific Band 1		0	0.684	0.077	0.004	389.38	3.53	3.53	0.013
LDNO 132kV: HV Site Specific Band 2		0	0.684	0.077	0.004	1088.81	3.53	3.53	0.013
LDNO 132kV: HV Site Specific Band 3		0	0.684	0.077	0.004	2129.36	3.53	3.53	0.013
LDNO 132kV: HV Site Specific Band 4		0	0.684	0.077	0.004	4778.12	3.53	3.53	0.013
LDNO 132kV: Unmetered Supplies		0, 1 or 8	8.761	0.673	0.402				

Note: Where a tariff only has a p/kWh unit rate in Unit Charge 1 then this unit rate applies at all times.

Annex 4 - Charges applied to LDNOs with HV/LV end users

Tariff name	Unique billing identifier	PCs	Red/black unit charge p/kWh	Amber/yellow unit charge p/kWh	Green unit charge p/kWh	Fixed charge p/MPAN/day	Capacity charge p/kVA/day	Exceeded capacity charge p/kVA/day	Reactive power charge p/kVArh
LDNO 132kV: LV Generation Aggregated		0	-2.411	-0.303	-0.037	0.00			
LDNO 132kV: LV Sub Generation Aggregated		0	-2.156	-0.269	-0.031	0.00			
LDNO 132kV: LV Generation Site Specific		0	-2.411	-0.303	-0.037	0.00			0.067
LDNO 132kV: LV Sub Generation Site Specific		0	-2.156	-0.269	-0.031	0.00			0.051
LDNO 132kV: HV Generation Site Specific		0	-1.468	-0.176	-0.012	35.43			0.056
LDNO 0000: Domestic Aggregated or CT with Residual		0, 1, 2	0.520	0.065	0.008	0.72			
LDNO 0000: Domestic Aggregated (related MPAN)		2	0.520	0.065	0.008				
LDNO 0000: Non-Domestic Aggregated or CT No Residual		0, 3, 4, 5-8	0.469	0.059	0.007	0.66			
LDNO 0000: Non-Domestic Aggregated or CT Band 1		0, 3, 4, 5-8	0.469	0.059	0.007	0.85			
LDNO 0000: Non-Domestic Aggregated or CT Band 2		0, 3, 4, 5-8	0.469	0.059	0.007	1.39			
LDNO 0000: Non-Domestic Aggregated or CT Band 3		0, 3, 4, 5-8	0.469	0.059	0.007	2.22			
LDNO 0000: Non-Domestic Aggregated or CT Band 4		0, 3, 4, 5-8	0.469	0.059	0.007	4.69			
LDNO 0000: Non-Domestic Aggregated (related MPAN)		4	0.469	0.059	0.007				
LDNO 0000: LV Site Specific No Residual		0	0.300	0.037	0.004	0.66	0.48	0.48	0.007
LDNO 0000: LV Site Specific Band 1		0	0.300	0.037	0.004	7.42	0.48	0.48	0.007
LDNO 0000: LV Site Specific Band 2		0	0.300	0.037	0.004	12.67	0.48	0.48	0.007
LDNO 0000: LV Site Specific Band 3		0	0.300	0.037	0.004	19.53	0.48	0.48	0.007
LDNO 0000: LV Site Specific Band 4		0	0.300	0.037	0.004	34.83	0.48	0.48	0.007
LDNO 0000: LV Sub Site Specific No Residual		0	0.262	0.031	0.002	0.83	0.66	0.66	0.006
LDNO 0000: LV Sub Site Specific Band 1		0	0.262	0.031	0.002	11.60	0.66	0.66	0.006
LDNO 0000: LV Sub Site Specific Band 2		0	0.262	0.031	0.002	19.96	0.66	0.66	0.006
LDNO 0000: LV Sub Site Specific Band 3		0	0.262	0.031	0.002	30.88	0.66	0.66	0.006
LDNO 0000: LV Sub Site Specific Band 4		0	0.262	0.031	0.002	55.25	0.66	0.66	0.006
LDNO 0000: HV Site Specific No Residual		0	0.146	0.017	0.001	8.66	0.75	0.75	0.003
LDNO 0000: HV Site Specific Band 1		0	0.146	0.017	0.001	83.08	0.75	0.75	0.003
LDNO 0000: HV Site Specific Band 2		0	0.146	0.017	0.001	232.30	0.75	0.75	0.003
LDNO 0000: HV Site Specific Band 3		0	0.146	0.017	0.001	454.31	0.75	0.75	0.003
LDNO 0000: HV Site Specific Band 4		0	0.146	0.017	0.001	1019.43	0.75	0.75	0.003
LDNO 0000: Unmetered Supplies		0, 1 or 8	1.869	0.144	0.086				
LDNO 0000: LV Generation Aggregated		0	-0.514	-0.065	-0.008	0.00			
LDNO 0000: LV Sub Generation Aggregated		0	-0.460	-0.057	-0.007	0.00			
LDNO 0000: LV Generation Site Specific		0	-0.514	-0.065	-0.008	0.00			0.014
LDNO 0000: LV Sub Generation Site Specific		0	-0.460	-0.057	-0.007	0.00			0.011
LDNO 0000: HV Generation Site Specific		0	-0.313	-0.038	-0.003	7.56			0.012

Note: Where a tariff only has a p/kWh unit rate in Unit Charge 1 then this unit rate applies at all times.

Annex 5 - Schedule of Line Loss Factors

This table has intentionally been left blank. The line loss factors that are approved by the BSC Panel for the applicable year and consequently published on the Elexon website will take precedence and be used in Settlement. This annex will be re-published once these values are available.

National Grid Electricity Distribution (West Midlands) plc - Illustrative LLFs for year beginning 1 April 2027				
Time periods	Period 1	Period 2	Period 3	Period 4
	(Name 1)	(Name 2)	(Name 3)	(Name 4)
Monday to Friday Mar to Oct			00:30 – 07:30	07:30 – 00:30
Monday to Friday Nov to Feb	16:00 – 19:00	07:30 – 16:00 19:00 – 20:00	00:30 – 07:30	20:00 – 00:30
Saturday and Sunday All Year			00:30 – 07:30	07:30 – 00:30
Notes	All the above times are in UK Clock time			

Generic demand and generation LLFs					
Metered voltage, respective periods and associated LLFCs					
Metered voltage	Period 1	Period 2	Period 3	Period 4	Associated LLFC
132kV connected					
132/EHV connected					
132/HV connected					
EHV connected					
High Voltage Substation					
High Voltage Network					
Low Voltage Substation					
Low Voltage Network					

EHV site specific LLFs					
Demand					
Site	Period 1	Period 2	Period 3	Period 4	Associated LLFC
Site 1					
Site 2					
Site 3					
Site 4					
Site 5					

EHV site specific LLFs					
Generation					
Site	Period 1	Period 2	Period 3	Period 4	Associated LLFC
Site 1					
Site 2					
Site 3					
Site 4					
Site 5					

Annex 6 - New Designated EHV Properties. Addendum to Schedule of Charges for use of the Distribution System by Designated EHV Properties (including LDNOs with Designated EHV Properties/end-users).

Annex 6 - Charges for New or Amended Designated EHV Properties

National Grid Electricity Distribution (West Midlands) plc - Effective from 1 April 2027 - Final new designated EHV charges

Effective from date	Import Unique Identifier	LLFC	Import MPANs/MSIDs	Export Unique Identifier	LLFC	Export MPANs/MSIDs	Name	Residual Charging Band	Import Super Red unit charge (p/kWh)	Import fixed charge (p/day)	Import capacity charge (p/kVA/day)	Import exceeded capacity charge (p/kVA/day)	Export Super Red unit charge (p/kWh)	Export fixed charge (p/day)	Export capacity charge (p/kVA/day)	Export exceeded capacity charge (p/kVA/day)
	EDCM Import 1			EDCM export 1												
	EDCM Import 2			EDCM export 2												
	EDCM Import 3			EDCM export 3												
	EDCM Import 4			EDCM export 4												
	EDCM Import 5			EDCM export 5												
	EDCM Import 6			EDCM export 6												
	EDCM Import 7			EDCM export 7												
	EDCM Import 8			EDCM export 8												
	EDCM Import 9			EDCM export 9												
	EDCM Import 10			EDCM export 10												

National Grid Electricity Distribution (West Midlands) plc - Effective from 1 April 2027 - Final new designated EHV line loss factors

Effective from date	Import Unique Identifier	LLFC/DUoS Tariff Id	Import MPANs/MSIDs	Export Unique Identifier	LLFC/DUoS Tariff Id	Export MPANs/MSIDs	Name	Residual Charging Band	Import LLF period 1	Import LLF period 2	Import LLF period 3	Import LLF period 4	Export LLF period 1	Export LLF period 2	Export LLF period 3	Export LLF period 4
	EDCM Import 1			EDCM Export 1												
	EDCM Import 2			EDCM Export 2												
	EDCM Import 3			EDCM Export 3												
	EDCM Import 4			EDCM Export 4												
	EDCM Import 5			EDCM Export 5												
	EDCM Import 6			EDCM Export 6												
	EDCM Import 7			EDCM Export 7												
	EDCM Import 8			EDCM Export 8												
	EDCM Import 9			EDCM Export 9												
	EDCM Import 10			EDCM Export 10												

Note: The list of MPANs / MSIDs provided may be incomplete; the DNO reserves the right to apply the listed charges to any other MPANs / MSIDs associated with the site.

National Grid Electricity Distribution (West Midlands) plc - Effective from 1 April 2027 - Final Supplier of Last Resort and Eligible Bad Debt Pass-Through Costs

Tariff name	Open LLFCs / LDNO unique billing identifier	PCs	Supplier of Last Resort Fixed charge adder* p/MPAN/day	Eligible Bad Debt Fixed charge adder*** p/MPAN/day
Domestic Aggregated or CT with Residual	1, 4, 632, D01	0, 1, 2	0.00	0.00
Non-Domestic Aggregated or CT No Residual	N10, N20, N30, X10, X20, X30	0, 3, 4, 5-8		0.00
Non-Domestic Aggregated or CT Band 1	7, 10, 21, 19, 633, 322, 323, X11, X21, X31	0, 3, 4, 5-8		0.00
Non-Domestic Aggregated or CT Band 2	N12, N22, N32, X12, X22, X32	0, 3, 4, 5-8		0.00
Non-Domestic Aggregated or CT Band 3	N13, N23, N33, X13, X23, X33	0, 3, 4, 5-8		0.00
Non-Domestic Aggregated or CT Band 4	N14, N24, N34, X14, X24, X34	0, 3, 4, 5-8		0.00
LV Site Specific No Residual	L00, LST	0		0.00
LV Site Specific Band 1	127, 129	0		0.00
LV Site Specific Band 2	L02	0		0.00
LV Site Specific Band 3	L03	0		0.00
LV Site Specific Band 4	L04	0		0.00
LV Sub Site Specific No Residual	S00, SST	0		0.00
LV Sub Site Specific Band 1	128	0		0.00
LV Sub Site Specific Band 2	S02	0		0.00
LV Sub Site Specific Band 3	S03	0		0.00
LV Sub Site Specific Band 4	S04	0		0.00
HV Site Specific No Residual	H00, HST	0		0.00
HV Site Specific Band 1	365, 367	0		0.00
HV Site Specific Band 2	H02	0		0.00
HV Site Specific Band 3	H03	0		0.00
HV Site Specific Band 4	H04	0		0.00
LDNO LV: Domestic Aggregated or CT with Residual		0, 1, 2	0.00	0.00
LDNO LV: Non-Domestic Aggregated or CT No Residual		0, 3, 4, 5-8		0.00
LDNO LV: Non-Domestic Aggregated or CT Band 1		0, 3, 4, 5-8		0.00
LDNO LV: Non-Domestic Aggregated or CT Band 2		0, 3, 4, 5-8		0.00
LDNO LV: Non-Domestic Aggregated or CT Band 3		0, 3, 4, 5-8		0.00
LDNO LV: Non-Domestic Aggregated or CT Band 4		0, 3, 4, 5-8		0.00

Annex 7 - Schedule of Charges to recover Excess Supplier of Last Resort pass-through costs

Tariff name	Open LLFCs / LDNO unique billing identifier	PCs	Supplier of Last Resort Fixed charge adder* p/MPAN/day	Eligible Bad Debt Fixed charge adder*** p/MPAN/day
LDNO LV: LV Site Specific No Residual		0		0.00
LDNO LV: LV Site Specific Band 1		0		0.00
LDNO LV: LV Site Specific Band 2		0		0.00
LDNO LV: LV Site Specific Band 3		0		0.00
LDNO LV: LV Site Specific Band 4		0		0.00
LDNO HV: Domestic Aggregated or CT with Residual		0, 1, 2	0.00	0.00
LDNO HV: Non-Domestic Aggregated or CT No Residual		0, 3, 4, 5-8		0.00
LDNO HV: Non-Domestic Aggregated or CT Band 1		0, 3, 4, 5-8		0.00
LDNO HV: Non-Domestic Aggregated or CT Band 2		0, 3, 4, 5-8		0.00
LDNO HV: Non-Domestic Aggregated or CT Band 3		0, 3, 4, 5-8		0.00
LDNO HV: Non-Domestic Aggregated or CT Band 4		0, 3, 4, 5-8		0.00
LDNO HV: LV Site Specific No Residual		0		0.00
LDNO HV: LV Site Specific Band 1		0		0.00
LDNO HV: LV Site Specific Band 2		0		0.00
LDNO HV: LV Site Specific Band 3		0		0.00
LDNO HV: LV Site Specific Band 4		0		0.00
LDNO HV: LV Sub Site Specific No Residual		0		0.00
LDNO HV: LV Sub Site Specific Band 1		0		0.00
LDNO HV: LV Sub Site Specific Band 2		0		0.00
LDNO HV: LV Sub Site Specific Band 3		0		0.00
LDNO HV: LV Sub Site Specific Band 4		0		0.00
LDNO HV: HV Site Specific No Residual		0		0.00
LDNO HV: HV Site Specific Band 1		0		0.00
LDNO HV: HV Site Specific Band 2		0		0.00
LDNO HV: HV Site Specific Band 3		0		0.00
LDNO HV: HV Site Specific Band 4		0		0.00
LDNO HVplus: Domestic Aggregated or CT with Residual		0, 1, 2	0.00	0.00
LDNO HVplus: Non-Domestic Aggregated or CT No Residual		0, 3, 4, 5-8		0.00
LDNO HVplus: Non-Domestic Aggregated or CT Band 1		0, 3, 4, 5-8		0.00
LDNO HVplus: Non-Domestic Aggregated or CT Band 2		0, 3, 4, 5-8		0.00

Annex 7 - Schedule of Charges to recover Excess Supplier of Last Resort pass-through costs

Tariff name	Open LLFCs / LDNO unique billing identifier	PCs	Supplier of Last Resort Fixed charge adder* p/MPAN/day	Eligible Bad Debt Fixed charge adder*** p/MPAN/day
LDNO HVplus: Non-Domestic Aggregated or CT Band 3		0, 3, 4, 5-8		0.00
LDNO HVplus: Non-Domestic Aggregated or CT Band 4		0, 3, 4, 5-8		0.00
LDNO HVplus: LV Site Specific No Residual		0		0.00
LDNO HVplus: LV Site Specific Band 1		0		0.00
LDNO HVplus: LV Site Specific Band 2		0		0.00
LDNO HVplus: LV Site Specific Band 3		0		0.00
LDNO HVplus: LV Site Specific Band 4		0		0.00
LDNO HVplus: LV Sub Site Specific No Residual		0		0.00
LDNO HVplus: LV Sub Site Specific Band 1		0		0.00
LDNO HVplus: LV Sub Site Specific Band 2		0		0.00
LDNO HVplus: LV Sub Site Specific Band 3		0		0.00
LDNO HVplus: LV Sub Site Specific Band 4		0		0.00
LDNO HVplus: HV Site Specific No Residual		0		0.00
LDNO HVplus: HV Site Specific Band 1		0		0.00
LDNO HVplus: HV Site Specific Band 2		0		0.00
LDNO HVplus: HV Site Specific Band 3		0		0.00
LDNO HVplus: HV Site Specific Band 4		0		0.00
LDNO EHV: Domestic Aggregated or CT with Residual		0, 1, 2	0.00	0.00
LDNO EHV: Non-Domestic Aggregated or CT No Residual		0, 3, 4, 5-8		0.00
LDNO EHV: Non-Domestic Aggregated or CT Band 1		0, 3, 4, 5-8		0.00
LDNO EHV: Non-Domestic Aggregated or CT Band 2		0, 3, 4, 5-8		0.00
LDNO EHV: Non-Domestic Aggregated or CT Band 3		0, 3, 4, 5-8		0.00
LDNO EHV: Non-Domestic Aggregated or CT Band 4		0, 3, 4, 5-8		0.00
LDNO EHV: LV Site Specific No Residual		0		0.00
LDNO EHV: LV Site Specific Band 1		0		0.00
LDNO EHV: LV Site Specific Band 2		0		0.00
LDNO EHV: LV Site Specific Band 3		0		0.00
LDNO EHV: LV Site Specific Band 4		0		0.00
LDNO EHV: LV Sub Site Specific No Residual		0		0.00
LDNO EHV: LV Sub Site Specific Band 1		0		0.00

Annex 7 - Schedule of Charges to recover Excess Supplier of Last Resort pass-through costs

Tariff name	Open LLFCs / LDNO unique billing identifier	PCs	Supplier of Last Resort Fixed charge adder* p/MPAN/day	Eligible Bad Debt Fixed charge adder*** p/MPAN/day
LDNO EHV: LV Sub Site Specific Band 2		0		0.00
LDNO EHV: LV Sub Site Specific Band 3		0		0.00
LDNO EHV: LV Sub Site Specific Band 4		0		0.00
LDNO EHV: HV Site Specific No Residual		0		0.00
LDNO EHV: HV Site Specific Band 1		0		0.00
LDNO EHV: HV Site Specific Band 2		0		0.00
LDNO EHV: HV Site Specific Band 3		0		0.00
LDNO EHV: HV Site Specific Band 4		0		0.00
LDNO 132kV/EHV: Domestic Aggregated or CT with Residual		0, 1, 2	0.00	0.00
LDNO 132kV/EHV: Non-Domestic Aggregated or CT No Residual		0, 3, 4, 5-8		0.00
LDNO 132kV/EHV: Non-Domestic Aggregated or CT Band 1		0, 3, 4, 5-8		0.00
LDNO 132kV/EHV: Non-Domestic Aggregated or CT Band 2		0, 3, 4, 5-8		0.00
LDNO 132kV/EHV: Non-Domestic Aggregated or CT Band 3		0, 3, 4, 5-8		0.00
LDNO 132kV/EHV: Non-Domestic Aggregated or CT Band 4		0, 3, 4, 5-8		0.00
LDNO 132kV/EHV: LV Site Specific No Residual		0		0.00
LDNO 132kV/EHV: LV Site Specific Band 1		0		0.00
LDNO 132kV/EHV: LV Site Specific Band 2		0		0.00
LDNO 132kV/EHV: LV Site Specific Band 3		0		0.00
LDNO 132kV/EHV: LV Site Specific Band 4		0		0.00
LDNO 132kV/EHV: LV Sub Site Specific No Residual		0		0.00
LDNO 132kV/EHV: LV Sub Site Specific Band 1		0		0.00
LDNO 132kV/EHV: LV Sub Site Specific Band 2		0		0.00
LDNO 132kV/EHV: LV Sub Site Specific Band 3		0		0.00
LDNO 132kV/EHV: LV Sub Site Specific Band 4		0		0.00
LDNO 132kV/EHV: HV Site Specific No Residual		0		0.00
LDNO 132kV/EHV: HV Site Specific Band 1		0		0.00
LDNO 132kV/EHV: HV Site Specific Band 2		0		0.00
LDNO 132kV/EHV: HV Site Specific Band 3		0		0.00
LDNO 132kV/EHV: HV Site Specific Band 4		0		0.00
LDNO 132kV: Domestic Aggregated or CT with Residual		0, 1, 2	0.00	0.00

Annex 7 - Schedule of Charges to recover Excess Supplier of Last Resort pass-through costs

Tariff name	Open LLFCs / LDNO unique billing identifier	PCs	Supplier of Last Resort Fixed charge adder* p/MPAN/day	Eligible Bad Debt Fixed charge adder*** p/MPAN/day
LDNO 132kV: Non-Domestic Aggregated or CT No Residual		0, 3, 4, 5-8		0.00
LDNO 132kV: Non-Domestic Aggregated or CT Band 1		0, 3, 4, 5-8		0.00
LDNO 132kV: Non-Domestic Aggregated or CT Band 2		0, 3, 4, 5-8		0.00
LDNO 132kV: Non-Domestic Aggregated or CT Band 3		0, 3, 4, 5-8		0.00
LDNO 132kV: Non-Domestic Aggregated or CT Band 4		0, 3, 4, 5-8		0.00
LDNO 132kV: LV Site Specific No Residual		0		0.00
LDNO 132kV: LV Site Specific Band 1		0		0.00
LDNO 132kV: LV Site Specific Band 2		0		0.00
LDNO 132kV: LV Site Specific Band 3		0		0.00
LDNO 132kV: LV Site Specific Band 4		0		0.00
LDNO 132kV: LV Sub Site Specific No Residual		0		0.00
LDNO 132kV: LV Sub Site Specific Band 1		0		0.00
LDNO 132kV: LV Sub Site Specific Band 2		0		0.00
LDNO 132kV: LV Sub Site Specific Band 3		0		0.00
LDNO 132kV: LV Sub Site Specific Band 4		0		0.00
LDNO 132kV: HV Site Specific No Residual		0		0.00
LDNO 132kV: HV Site Specific Band 1		0		0.00
LDNO 132kV: HV Site Specific Band 2		0		0.00
LDNO 132kV: HV Site Specific Band 3		0		0.00
LDNO 132kV: HV Site Specific Band 4		0		0.00
LDNO 0000: Domestic Aggregated or CT with Residual		0, 1, 2	0.00	0.00
LDNO 0000: Non-Domestic Aggregated or CT No Residual		0, 3, 4, 5-8		0.00
LDNO 0000: Non-Domestic Aggregated or CT Band 1		0, 3, 4, 5-8		0.00
LDNO 0000: Non-Domestic Aggregated or CT Band 2		0, 3, 4, 5-8		0.00
LDNO 0000: Non-Domestic Aggregated or CT Band 3		0, 3, 4, 5-8		0.00
LDNO 0000: Non-Domestic Aggregated or CT Band 4		0, 3, 4, 5-8		0.00
LDNO 0000: LV Site Specific No Residual		0		0.00
LDNO 0000: LV Site Specific Band 1		0		0.00
LDNO 0000: LV Site Specific Band 2		0		0.00
LDNO 0000: LV Site Specific Band 3		0		0.00

Annex 7 - Schedule of Charges to recover Excess Supplier of Last Resort pass-through costs

Tariff name	Open LLFCs / LDNO unique billing identifier	PCs	Supplier of Last Resort Fixed charge adder* p/MPAN/day	Eligible Bad Debt Fixed charge adder*** p/MPAN/day
LDNO 0000: LV Site Specific Band 4		0		0.00
LDNO 0000: LV Sub Site Specific No Residual		0		0.00
LDNO 0000: LV Sub Site Specific Band 1		0		0.00
LDNO 0000: LV Sub Site Specific Band 2		0		0.00
LDNO 0000: LV Sub Site Specific Band 3		0		0.00
LDNO 0000: LV Sub Site Specific Band 4		0		0.00
LDNO 0000: HV Site Specific No Residual		0		0.00
LDNO 0000: HV Site Specific Band 1		0		0.00
LDNO 0000: HV Site Specific Band 2		0		0.00
LDNO 0000: HV Site Specific Band 3		0		0.00
LDNO 0000: HV Site Specific Band 4		0		0.00

*Supplier of Last Resort pass-through costs allocated to all domestic tariffs with a fixed charge (including LDNO)

**Eligible Bad Debt pass-through costs allocated to all metered demand tariffs (including LDNO)