

**National Grid Electricity Distribution**

**(East Midlands) plc**

**Use of System Charging Statement**

**NOTICE OF CHARGES**

**Effective from 1st April 2027**

**Version 0.1**

This statement is in a form to be approved by the Gas and Electricity Markets Authority.

## Version Control

Version	Date	Description of version and any changes made
0.1	February 2026	Published Finals

# Contents

1. Introduction	4
Validity period	5
Contact details	5
2. Charge application and definitions	7
The Supercustomer / Aggregate and site-specific billing approaches	7
Supercustomer / Aggregate billing and payment	8
Site-specific billing and payment	9
Components of Charges	10
Allocation of charges	15
Generation charges for pre-2005 designated EHV properties	16
Provision of billing data	17
Out of area use of system charges	17
Licensed distribution network operator charges	17
Licence exempt distribution networks	18
3. Schedule of charges for use of the distribution system	21
4. Schedule of line loss factors	22
Role of line loss factors in the supply of electricity	22
Calculation of line loss factors	22
Publication of line loss factors	23
5. Notes for Designated EHV Properties	24
EDCM FCP Network Group Costs	24
Charges for new Designated EHV Properties	24
Charges for amended Designated EHV Properties	24
Demand-side management	24
6. Electricity distribution rebates	26
7. Accounting and administration services	26
8. Charges for electrical plant provided ancillary to the grant of use of system	26
9. Schedule of fixed adders to recover Supplier of Last Resort and Eligible Bad Debt pass-through costs	26
10. Charges for Non-Final Demand Sites	28
11. Back-up Connections	29
Appendix 1 - Glossary	31
Appendix 2 - Guidance notes	40
Background	40
Meter point administration	40
Your charges	42
Reducing your charges	42
Reactive power and reactive power charges	43
Site-specific EDCM charges	43
Appendix 3 – Non-Final Demand Site Certificate	46
Annex 1 - Schedule of charges for use of the distribution system by LV and HV Designated Properties, and Unmetered Supplies	47
Annex 2 - Schedule of charges for use of the distribution system by Designated EHV Properties (including LDNOs with Designated EHV Properties/end-users)	48
Annex 3 - Schedule of charges for use of the distribution system by preserved/additional LLF classes	77
Annex 4 - Charges applied to LDNOs with LV and HV end-users	78
Annex 5 - Schedule of line loss factors	82
Annex 6 - Charges for New or Amended Designated EHV Properties	83
Annex 7 - Final Supplier of Last Resort and Bad Debt Pass-through Costs	84

## 1. Introduction

- 1.1. This statement tells you about our charges and the reasons behind them. It has been prepared consistent with Standard Licence Condition 14 of our Electricity Distribution Licence. The main purpose of this statement is to provide our schedule of charges<sup>1</sup> for the use of our Distribution System and to provide the schedule of Line Loss Factors<sup>2</sup> that should be applied in Settlement to account for losses from the Distribution System. We have also included guidance notes in Appendix 2 to help improve your understanding of the charges we apply.
- 1.2. Within this statement we use terms such as ‘Users’ and ‘Customers’ as well as other terms which are identified with initial capitalisation. These terms are defined in the glossary.
- 1.3. This statement reflects the changes which have been introduced as a result of Market Wide Half Hourly Settlement (MHHS<sup>3</sup>). Although the existing arrangements will continue to apply for Non-Migrated MPANs, the MHHS arrangements will be effective for any MPAN that has Migrated, any differences in treatment are highlighted throughout the document.
- 1.4. The charges in this statement are calculated using the following methodologies as per the Distribution Connection and Use of System Agreement (DCUSA)<sup>4</sup>:
  - Common Distribution Charging Methodology (CDCM); for Low Voltage (LV) and High Voltage (HV) Designated Properties as per DCUSA Schedule 16;
  - Extra High Voltage (EHV) Distribution Charging Methodology (EDCM); for Designated EHV Properties as per DCUSA Schedule 17;
  - Price Control Disaggregation Model (PCDM); for Discount Percentages used to calculate the LDNO Use of System charges in the CDCM and EDCM as per DCUSA Schedule 29.
- 1.5. Separate charges are calculated depending on the characteristics of the connection and whether the use of the Distribution System is for demand or generation purposes. Where a generation connection is seen to support the Distribution System the charges will be negative and the Supplier will receive credits for exported energy.

---

<sup>1</sup> Charges can be positive or negative.

<sup>2</sup> Known as adjustment factors in the Distribution Licence and commonly referred to as Loss Adjustment Factors. The schedule of Line Loss Factors will be provided in a revised statement shortly after the Line Loss Factors for the relevant year have been successfully audited by Elexon.

<sup>3</sup> Information relating to the Market wide HH Settlement Programme available from [Home - MHHS Programme](#)

<sup>4</sup> Distribution and Connection Use of System Agreement (DCUSA) available from [DCUSA Document - DCUSA](#)

- 1.6. The application of charges to premises can usually be referenced using the Line Loss Factor Class (LLFC)/DUoS Tariff ID contained in the charge tables. Further information on how to identify and calculate the charge that will apply for your premises is provided in the guidance notes in Appendix 2.
- 1.7. All charges in this statement are shown **exclusive** of VAT. Invoices will include VAT at the applicable rate.
- 1.8. The annexes that form part of this statement are also available in spreadsheet format<sup>5</sup>. This spreadsheet contains supplementary information used for charging purposes and a simple model to assist you to calculate charges. This spreadsheet can be downloaded from [www.nationalgrid.co.uk](http://www.nationalgrid.co.uk).

### **Validity period**

- 1.9. This charging statement is valid for services provided from the effective date stated on the front of the statement and remains valid until updated by a revised version or superseded by a statement with a later effective date.
- 1.10. When using this charging statement, care should be taken to ensure that the relevant statement or statements covering the period that is of interest are used.
- 1.11. Notice of any revision to the statement will be provided to Users of our Distribution System (with the exception of updates to Annex 6; New or Amended EHV Sites which will be published as an addendum). The latest statements can be downloaded from [www.nationalgrid.co.uk](http://www.nationalgrid.co.uk).

### **Contact details**

- 1.12. If you have any questions about this statement, please contact us at this address:

Income Team  
National Grid Electricity Distribution  
Avonbank, Feeder Rd, Bristol  
BS2 0TB  
email: [nged.pricing@nationalgrid.co.uk](mailto:nged.pricing@nationalgrid.co.uk)

- 1.13. All enquiries regarding connection agreements and changes to maximum capacities should be addressed to:



Connection Policy Engineer  
National Grid Electricity Distribution  
Herald Way, East Midlands Airport

Castle Donington  
Derby  
DE74 2TU  
email: [nged.connectionspolicy@nationalgrid.co.uk](mailto:nged.connectionspolicy@nationalgrid.co.uk)

1.14. For enquiries regarding certification of Non-Final Demand sites, please contact:

Income Team  
National Grid Electricity Distribution  
Avonbank, Feeder Rd, Bristol  
BS2 0TB  
email: [nged.nonfinaldemand@nationalgrid.co.uk](mailto:nged.nonfinaldemand@nationalgrid.co.uk)

1.15. For all other queries please contact our general enquiries telephone number: 0800 096 3080; lines are open 08:00 – 18:00 Monday to Friday.

1.16. You can also find us on Facebook  and .

## 2. Charge application and definitions

2.1. The following section details how the charges in this statement are applied and billed to Users of our Distribution System.

### The Supercustomer/Aggregated and site-specific billing approaches

2.2. We utilise two billing approaches depending on the type of metering data received:

- The Supercustomer / Aggregated approach for Customers for whom we receive aggregated consumption data through Settlement; and
- The 'Site-specific' approach for Customers for whom we receive site-specific consumption data through Settlement.

2.3. We receive aggregated consumption data through Settlement for:

Non-Migrated MPANs:

- Domestic and non-domestic Customers for whom Non-Half Hourly (NHH) metering data is used in Settlement (i.e., Customers with MPANs which are registered to Measurement Class A);
- Customers which are unmetered and are not settled as pseudo Half Hourly (HH) metered (i.e., Customers with MPANs which are registered to Measurement Class B);
- Domestic Customers for whom HH metering data is used in Settlement (i.e. Customers with MPANs which are registered to Measurement Class F); and
- Non-domestic Customers for whom HH metering data is used in Settlement and which have whole current (WC) metering (i.e. Customers with MPANs which are registered to Measurement Class G).

Migrated MPANs:

All Customers who have a Connection Type that indicates a Whole Current connection, i.e. with Connection Type 'W'.

2.4. We receive site-specific consumption data through Settlement for:

Non-Migrated MPANs:

- Customers for whom HH metering data is used in Settlement and which have current transformer (CT) metering (i.e. Customers with MPANs which are registered to Measurement Class C or E); and

- Customers which are unmetered and settled as pseudo HH metered (i.e. Customers with MPANs which are registered to Measurement Class D).

Migrated MPANs:

All Customers who have a Connection Type of 'L' Low Voltage, 'H' High Voltage, 'E' Extra-High Voltage or 'U' Unmetered.

### **Supercustomer / Aggregated billing and payment**

- 2.5. The Supercustomer / Aggregated approach makes use of aggregated data obtained from Suppliers using the 'Aggregated Distribution Use of System (DUoS) Report' data flow for Non-Migrated MPANs, and the 'LDSO report for DUoS – aggregated data' message or the 'Embedded Network report for DUoS – aggregated data' message for Migrated MPANs.
- 2.6. Invoices are calculated on a periodic basis and sent to each User for whom we transport electricity through our Distribution System. Invoices are reconciled over a period of approximately 14 months to reflect later and more accurate consumption figures, this will reduce to four months following MHHS implementation).
- 2.7. The charges are applied on the basis of the LLFC/DUoS Tariff ID assigned to the MPAN, and the units consumed within the time periods specified in Annex 1. All LLFCs/DUoS Tariff IDs are assigned at our sole discretion, based on the tariff application rules set out in the appropriate charging methodology or elsewhere in this statement. Please refer to the section "Allocation of Charges' if you believe the allocated LLFC/DUoS Tariff ID or tariff is incorrect.

### **Supercustomer / Aggregated charges**

- 2.8. Supercustomer / Aggregated charges include the following components:
  - a fixed charge, pence/MPAN/day, there will only be one fixed charge applied to each MPAN; and
  - unit charges, pence/kilowatt-hour (kWh); three unit charges will apply depending on the time of day and the type of tariff for which the MPAN is registered.
- 2.9. Users who wish to supply electricity to Customers for whom we receive aggregated data through Settlement (see paragraph 2.3) will be allocated the relevant charge structure set out in Annex 1.
- 2.10. Identification of the appropriate charge can be made by cross-reference to the LLFC/DUoS Tariff ID.

- 2.11. For Non-Migrated MPANs the Valid Settlement Profile Class (PC)/Standard Settlement Configuration (SSC)/Meter Timeswitch Code (MTC) combinations for LLFC where the Metering System is Measurement Class A or B are detailed in Market Domain Data (MDD). For Migrated MPANs the appropriate reference data is contained in Industry Standing Data (ISD).
- 2.12. We do not apply a default tariff for invalid combinations.
- 2.13. The 'Domestic Aggregated (related MPAN)' and 'Non-Domestic Aggregated (related MPAN)' charges are supplementary to their respective primary MPAN charge.

#### **Site-specific billing and payment**

- 2.14. The site-specific billing and payment approach makes use of HH metering data at premises level received through Settlement.
- 2.15. Invoices are calculated on a periodic basis and sent to each User for whom we transport electricity through our Distribution System. Where an account is based on estimated data, the account shall be subject to any adjustment that may be necessary following the receipt of actual data from the User.
- 2.16. The charges are applied on the basis of the LLFC/DUoS Tariff ID assigned to the MPAN (or the (MSID) for Central Volume Allocation (CVA) sites), and the units consumed within the time periods specified in this statement.
- 2.17. All LLFCs/DUoS Tariff IDs are assigned at our sole discretion, based on the tariff application rules set out in the appropriate charging methodology or elsewhere in this statement. Please refer to the section 'Allocation of Charges' if you believe the allocated LLFC/DUoS Tariff ID or tariff is incorrect. Where an incorrectly applied LLFC/DUoS Tariff ID is identified, we may at our sole discretion apply the correct LLFC/DUoS Tariff ID and/or charges.

#### **Site-specific billed charges**

- 2.18. Site-specific billed charges for LV and HV Designated Properties may include the following components:
- a fixed charge, pence/MPAN/day or pence/MSID/day;
  - a capacity charge, pence/kilovolt-ampere (kVA)/day, for Maximum Import Capacity (MIC) and/or Maximum Export Capacity (MEC);
  - an excess capacity charge, pence/kVA/day, if a site exceeds its MIC and/or MEC;

- three unit charges, pence/kWh, depending on the time of day and the type of tariff for which the MPAN is registered; and
  - a reactive power charge, pence/kilovolt-ampere reactive hour (kVArh), for each unit in excess of the reactive charge threshold.
- 2.19. Site-specific billed charges for properties that are under transitional protection arrangements for BSC Modification P432 or MHHS will include only fixed and unit charges, in the same manner as Supercustomer / Aggregate charges, as described in 2.8.
- 2.20. Users who wish to supply electricity to Customers for whom we receive site-specific data through Settlement (see paragraph 2.4) will be allocated the relevant charge structure dependent upon the voltage and location of the Metering Point.
- 2.21. Fixed charges are generally levied on a pence per MPAN/MSID per day basis. Where two or more HH MPANs/MSIDs are located at the same point of connection (as identified in the Connection Agreement), with the same LLFC/DUoS Tariff ID, and registered to the same Supplier, only one daily fixed charge will be applied.
- 2.22. LV and HV Designated Properties will be charged in accordance with the CDCM and allocated the relevant charge structure set out in Annex 1.
- 2.23. Designated EHV Properties will be charged in accordance with the EDCM and allocated the relevant charge structure set out in Annex 2.
- 2.24. Where LV and HV Designated Properties or Designated EHV Properties have more than one point of connection (as identified in the Connection Agreement) then separate charges will be applied to each point of connection.

## **Components of Charges**

### ***Application of Residual Charges***

- 2.25. The following sections explain the application of residual charges.

### ***Final Demand Sites***

- 2.26. Residual charges are recovered through fixed charges for all Final Demand Sites. All Non-Final Demand Sites must submit a valid certificate, as described in Section 10, and upon receipt of a valid certificate will be allocated to the relevant No Residual tariff.
- 2.27. All Back-up Connections must provide clear supporting documentary evidence to the reasonable satisfaction of the LDNO, as described in Section 11, and upon receipt of sufficient evidence will be allocated to the relevant No Residual tariff.

### ***Residual Charging Bands***

- 2.28. Residual charges are applied to Final Demand Sites on a banded basis, with all sites in a given charge band receiving the same residual charge. Domestic customers have a single charging band.
- 2.29. There are four non-domestic charging bands for each of the following groups:
- Designated Properties connected at LV, billing with no MIC;
  - Designated Properties connected at LV, billing with MIC;
  - Designated Properties connected at HV; and
  - Designated EHV Properties.
- 2.30. All non-domestic Final Demand customers are allocated into one of the four charging bands, for each relevant charge structure.
- 2.31. The residual charging band boundaries are calculated nationally based upon data from all LDNOs. The method and timing for calculating the residual charging band boundaries and the method and timing for allocating customers into the residual charging bands are set out in Schedule 32 of DCUSA.
- 2.32. The boundaries for the residual bands can be found in the 'Schedule of charges and other tables' spreadsheet on our website, as well as the mapping between the DUoS Tariff name and TNUOS site charging band.

### ***Time periods***

- 2.33. The time periods for the application of unit charges to metered LV and HV Designated Properties are detailed in Annex 1. We have not issued a notice to change the time bands.
- 2.34. The time periods for the application of unit charges to Unmetered Supply Exit Points are detailed in Annex 1. We have not issued a notice to change the time bands.
- 2.35. The time periods for the application of unit charges to Designated EHV Properties are detailed in Annex 2. We have not issued a notice to change the time bands.

### ***Application of capacity charges***

- 2.36. The following sections explain the application of capacity charges and exceeded capacity charges.

### ***Chargeable capacity***

- 2.37. The chargeable capacity is, for each billing period, the MIC/MEC, as detailed below.

- 2.38. The MIC/MEC will be agreed with us at the time of connection or pursuant to a later change in requirements. Following such an agreement (be it at the time of connection or later) no reduction in MIC/MEC will be allowed for a 12 month period.
- 2.39. Reductions to the MIC/MEC may only be permitted once in a 12 month period. Where the MIC/MEC is reduced the new lower level will be agreed with reference to the level of the Customer's maximum import and/or export demand respectively. The new MIC/MEC will be applied from the start of the next billing period after the date that the request was received. It should be noted that, where a new lower level is agreed, the original capacity may not be available in the future without the need for network reinforcement and associated charges.
- 2.40. In the absence of an agreement, the chargeable capacity, save for error or omission, will be based on the last MIC/MEC that we have previously agreed for the relevant premises' connection. A Customer can seek to agree or vary the MIC/MEC by contacting us using the contact details in section 1.12.

***Exceeded capacity***

- 2.41. Where a customer takes additional unauthorised capacity over and above the MIC/MEC, the excess will be classed as exceeded capacity. The exceeded portion of the capacity will be charged at the excess capacity charge p/kVA/day rate, based on the difference between the MIC/MEC and the actual capacity used. This will be charged for the full duration of the billing period in which the breach occurs.

***Demand exceeded capacity***

$$\text{Demand exceeded capacity} = \max(2 \times \sqrt{AI^2 + \max(RI, RE)^2} - MIC, 0)$$

Where:

AI = Active import (kWh)

RI = Reactive import (kVAh)

RE = Reactive export (kVAh)

MIC = Maximum import capacity (kVA)

- 2.42. Only reactive import and reactive export values occurring at times of active import are used in the calculation. Where data for two or more MPANs is aggregated for billing purposes the HH consumption values are summated prior to the calculation above.
- 2.43. This calculation is completed for every half hour and the maximum value from the billing period is applied.

### **Generation exceeded capacity**

$$\text{Generationexceededcapacity} = \max(2 \times \sqrt{AE^2 + \max(RI, RE)^2} - MEC, 0)$$

Where:

AE = Active export (kWh)

RI = Reactive import (kVArh)

RE = Reactive export (kVArh)

MEC = Maximum export capacity (kVA)

- 2.44. Only reactive import and reactive export values occurring at times of active export are used in the calculation. Where data for two or more MPANs is aggregated for billing purposes the HH consumption values occurring at times of kWh export are summated prior to the calculation above.
- 2.45. This calculation is completed for every half hour and the maximum value from the billing period is applied.

### **Standby capacity for additional security on site**

- 2.46. Where standby capacity charges are applied, the charge will be set at the same rate as that applied to normal MIC. Should a customer's request for additional security of supply require the provision of capacity from two different sources, we reserve the right to charge for the capacity held at each source.

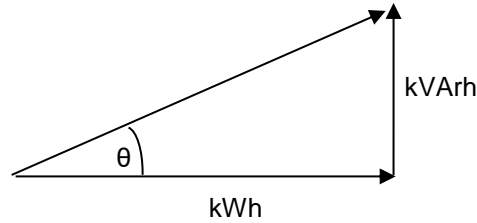
### **Minimum capacity levels**

- 2.47. There is no minimum capacity threshold.

### **Application of charges for excess reactive power**

- 2.48. When an individual HH metered MPAN's reactive power (measured in kVArh) at LV and HV Designated Properties exceeds 33% of its total active power (measured in kWh) in any given half hour, excess reactive power charges will apply. This threshold is equivalent to an average power factor of 0.95 during that half hour. Any reactive units in excess of the 33% threshold are charged at the rate appropriate to the particular charge.
- 2.49. Power Factor is calculated as follows:

$\cos \theta = \text{Power Factor}$



2.50. The chargeable reactive power is calculated as follows:

**Demand chargeable reactive power**

$$\text{Demand chargeable kVArh} = \max \left( \max(RI, RE) - \left( \sqrt{\left( \frac{1}{0.95^2} - 1 \right)} \times AI \right), 0 \right)$$

Where:

AI = Active import (kWh)

RI = Reactive import (kVArh)

RE = Reactive export (kVArh)

2.51. Only reactive import and reactive export values occurring at times of active import are used in the calculation. Where data for two or more MPANs is aggregated for billing purposes the HH consumption values are summated prior to the calculation above.

2.52. The square root calculation will be to two decimal places.

2.53. This calculation is completed for every half hour and the values summated over the billing period.

**Generation chargeable reactive power**

$$\text{Generation chargeable kVArh} = \max \left( \max(RI, RE) - \left( \sqrt{\left( \frac{1}{0.95^2} - 1 \right)} \times AE \right), 0 \right)$$

Where:

AE = Active export (kWh)

RI = Reactive import (kVArh)

RE = Reactive export (kVArh)

2.54. Only reactive import and reactive export values occurring at times of active export are used in the calculation. Where data for two or more MPANs is aggregated for

billing purposes the HH consumption values are summated prior to the calculation above.

- 2.55. The square root calculation will be to two decimal places.
- 2.56. This calculation is completed for every half hour and the values summated over the billing period.

### **Allocation of charges**

- 2.57. It is our responsibility to apply the correct charges to each MPAN/MSID. The allocation of charges is based on the voltage of connection, import/export details including multiple MPANs, metering information and, for some tariffs, the metering location.
- 2.58. We are responsible for deciding the voltage of connection. Generally, this is determined by where the metering is located and where responsibility for the electrical equipment transfers from us to the connected Customer.
- 2.59. We are also responsible for allocating non-domestic customers into their residual charging bands. Allocation into residual charging bands is determined by consumption for customers billed under the Supercustomer / Aggregated approach and for properties that are under transitional protection arrangements for BSC Modification P432 or MHHS, and by the MIC for all other customers billed under the site-specific approach.
- 2.60. The Supplier determines and provides us with the metering information and data to enable us to allocate charges. The metering information and data is likely to change over time if, for example, a Supplier changes an MPAN from non-domestic to domestic following a change of use at the premise. When we are notified, this has happened we will change the allocation of charges accordingly.
- 2.61. If it has been identified that a charge may have been incorrectly allocated due to the metering information and/or data then a request for investigation should be made to the Supplier.
- 2.62. Where it has been identified that a charge is likely to be incorrectly allocated due to the voltage of connection; import/export details; metering location; or allocation to residual charging band then a request to investigate the applicable charges should be made to us. Requests from persons other than the Customer or the current Supplier must be accompanied by a Letter of Authority from the Customer; the current Supplier must also acknowledge that they are aware a request has been made. Any request must be supported by an explanation of why it is believed that

the current charge should be changed, along with supporting information including, where appropriate, photographs of metering positions or system diagrams. Any request to change the current charge that also includes a request for backdating must include justification as to why it is considered appropriate to backdate the change.

- 2.63. Where a residual charging band allocation cannot be resolved, the dispute process provided within DCUSA Schedule 32 should be followed.
- 2.64. An administration charge (covering our reasonable costs) may be made if a technical assessment or site visit is required, but we will not apply any charge where we agree to the change request.
- 2.65. Where we agree that the current LLFC/DUoS Tariff ID charge should be changed, we will then allocate the appropriate set of charges for the connection. Any adjustment will be applied from the date of the request, back to either the date of the incorrect allocation, or up to the maximum period specified by the Limitation Act (1980) in England and Wales, which covers a six-year period from the date of request; whichever is the shorter.
- 2.66. Any credit or additional charge will be issued to the relevant Supplier(s) effective during the period of the change.
- 2.67. Should we reject the request (as per paragraph 2.62) a justification will be provided to the requesting party. We shall not unreasonably withhold or delay any decision on a request to change the charges applied and would expect to confirm our position on the request within three months of the date of request.

#### **Generation charges for pre-2005 designated EHV properties**

- 2.68. Designated EHV Properties that were connected to the Distribution System under a pre-2005 connection charging policy are eligible for exemption from Use of System (UoS) charges for generation unless one of the following criteria has been met:
  - 25 years have passed since their first energisation/connection date (i.e. Designated EHV Properties with Connection Agreements dated prior to 1st April 2005, and for which 25 years has passed since their first energisation/connection date will receive UoS charges for generation from the next charging year following the expiry of their 25 years exemption, (starting 1st April), or
  - the person responsible for the Designated EHV Property has provided notice to us that they wish to opt in to UoS charges for generation.

If a notice to opt in has been provided there will be no further opportunity to opt out.

- 2.69. Furthermore, if an exempt Customer makes an alteration to its export requirement, then the Customer may be liable to be charged for the additional capacity required for energy imported or exported. For example, where a generator increases its export capacity the incremental increase in export capacity will attract UoS charges as with other non-exempt generators.

### **Provision of billing data**

- 2.70. Where HH metering data is required for UoS charging and this is not provided in accordance with the BSC or DCUSA, such metering data shall be provided to us by the User of the system in respect of each calendar month within five working days of the end of that calendar month.
- 2.71. The metering data shall identify the amount of energy conveyed across the Metering System in each half hour of each day and shall separately identify active and reactive import and export. Metering data provided to us shall be consistent with that received through the metering equipment installed.
- 2.72. Metering data shall be provided in an electronic format specified by us from time to time and, in the absence of such specification, metering data shall be provided in a comma-separated text file in the format of data flow D0036<sup>6</sup> for Non-Migrated MPANs, and the REP-900 message for Migrated MPANs (as agreed with us). The data shall be emailed to [nged.duos@nationalgrid.co.uk](mailto:nged.duos@nationalgrid.co.uk).
- 2.73. We require details of reactive power imported or exported to be provided for all Measurement Class C and E sites for Non-Migrated MPANs, and for all Migrated MPANs with a Connection Type of 'L', 'H' or 'E'. It is also required for CVA sites and Exempt Distribution Network boundaries with difference metering. We reserve the right to levy a charge on Users who fail to provide such reactive data. In order to estimate missing reactive data, a power factor of 0.9 lag will be applied to the active consumption in any half hour.

### **Out of area use of system charges**

- 2.74. We do not operate networks outside our Distribution Services Area.

### **Licensed distribution network operator charges**

- 2.75. Licensed Distribution Network Operator (LDNO) charges are applied to LDNOs who operate Embedded Networks within our Distribution Services Area.

---

<sup>6</sup> Data Transfer Catalogue available from <https://www.electralink.co.uk/dtc-catalogue>

- 2.76. The charge structure for LV and HV Designated Properties embedded in networks operated by LDNOs will mirror the structure of the 'All-the-way' charge and is dependent upon the voltage of connection of each embedded network to our Distribution System. The relevant charge structures are set out in Annex 4.
- 2.77. We do not apply a default tariff for invalid combinations.
- 2.78. The charge structure for Designated EHV Properties embedded in networks operated by LDNOs will be calculated individually using the EDCM. The relevant charge structures are set out in Annex 2.
- 2.79. For Nested Networks the relevant charging principles set out in DCUSA Schedule 21 will apply.

### **Licence exempt distribution networks**

- 2.80. The Electricity and Gas (Internal Market) Regulations 2011<sup>7</sup> introduced obligations on owners of licence exempt distribution networks (sometimes called private networks) including a duty to facilitate access to electricity and gas suppliers for Customers within those networks.
- 2.81. When Customers (both domestic and commercial) are located within a licence exempt distribution network and require the ability to choose their own Supplier this is called 'third party access'. These embedded Customers will require an MPAN so that they can have their electricity supplied by a Supplier of their choice.
- 2.82. Licence exempt distribution networks owners can provide third party access using either full settlement metering or the difference metering approach<sup>8</sup>.

### **Full settlement metering**

- 2.83. This is where a licence exempt distribution network is set up so that each embedded installation has an MPAN and Metering System and therefore all Customers purchase electricity from their chosen Supplier. In this case there are no Settlement Metering Systems at the boundary between the licensed Distribution System and the licence exempt distribution network.
- 2.84. In this approach our UoS charges will be applied to each MPAN.

---

<sup>7</sup> The Electricity and Gas (Internal Market) Regulations 2011 available from <http://www.legislation.gov.uk/uksi/2011/2704/contents/made>

<sup>8</sup> Elexon's guide is available from <https://bscdocs.elexon.co.uk/guidance-notes/third-party-access-to-licence-exempt-distribution-networks>

### **Difference metering**

2.85. This is where one or more, but not all, Customers on a licence exempt distribution network choose their own Supplier for electricity supply to their premises. Under this approach, the Customers requiring third party access on the licence exempt distribution network will have their own MPAN and must have a HH Metering System.

### **Shared Metering**

2.86. This is where one or more Customers on a licence exempt distribution network choose their own Supplier for electricity supply to their premises, and the active import and/or active export meter readings at the boundary are apportioned between the Suppliers. Under this approach, the Customers requiring third party access on the licence exempt distribution network will have their own MPAN and must have a HH Metering System.

2.87. In this approach our UoS charges will be applied to each MPAN.

### **Gross settlement**

2.88. Where one of our MPANs (Prefix 11) is embedded within a licence exempt distribution network connected to our Distribution System, and difference metering is in place for Settlement purposes and we receive gross measurement data for the boundary MPAN, we will continue to charge the boundary MPAN Supplier for use of our Distribution System. No charges will be levied by us directly to the Customer or Supplier of the embedded MPAN(s) connected within the licence exempt distribution network.

2.89. We require that gross metered data for the boundary of the connection is provided to us. Until a new industry data flow is introduced for the sending of such gross data, gross metered data shall:

- be provided in a text file in the format of the D0036 data flow;
- the text file shall be emailed to [nged.duos@nationalgrid.co.uk](mailto:nged.duos@nationalgrid.co.uk);
- the title of the email should also contain the phrase “gross data for difference metered private network” and contain the metering reference specified by us in place of the Settlement MPAN; and
- the text filename shall be formed of the metering reference specified by us followed by a hyphen and followed by a timestamp in the format YYYYMMDDHHMMSS and followed by “.txt”.

2.90. For the avoidance of doubt, the reduced difference metered measurement data for the boundary connection that is to enter Settlement should continue to be sent using the Settlement MPAN.

**Net settlement**

2.91. Where one of our MPANs (Prefix 11) is embedded within a licence exempt distribution network connected to one of our Distribution Systems, and difference metering is in place for Settlement purposes, and we do **not** receive gross measurement data for the boundary MPAN, we will charge the boundary MPAN Supplier based on the net measurement for use of our Distribution System. Charges will also be levied directly to the Supplier of the embedded MPAN(s) connected within the licence exempt distribution network based on the actual data received.

### **3. Schedule of charges for use of the distribution system**

- 3.1. Tables listing the charges for use of our Distribution System are published in annexes to this document.
- 3.2. These charges are also listed in a spreadsheet which is published with this statement and can be downloaded from [www.nationalgrid.co.uk](http://www.nationalgrid.co.uk).
- 3.3. Annex 1 contains the charges applied to LV and HV Designated Properties.
- 3.4. Annex 2 contains the charges applied to our Designated EHV Properties and charges applied to LDNOs for Designated EHV Properties connected to their Distribution Systems.
- 3.5. Annex 3 contains details of any preserved and additional charges that are valid at this time. Preserved charges are mapped to an appropriate charge and are closed to new Customers.
- 3.6. Annex 4 contains the charges applied to LDNOs in respect of LV and HV Designated Properties connected to their Distribution Systems.

## 4. Schedule of line loss factors

### Role of line loss factors in the supply of electricity

- 4.1. Electricity entering or exiting our Distribution System is adjusted to take account of energy that is lost<sup>9</sup> as it is distributed through the network. This adjustment does not affect distribution charges but is used in energy settlement to take metered consumption to a notional Grid Supply Point so that Suppliers' purchases take account of the energy lost on the Distribution System.
- 4.2. We are responsible for calculating the Line Loss Factors (LLFs) and providing these to Elexon. Elexon is the company that manages the BSC.
- 4.3. LLFs are used to adjust the Metering System volumes to take account of losses on the Distribution System.

### Calculation of line loss factors

- 4.4. LLFs are calculated in accordance with BSCP128, which sets out the procedure and principles with which our LLF methodology must comply. It also defines the procedure and timetable by which LLFs are reviewed and submitted.
- 4.5. LLFs are calculated for a set number of time periods during the year using either a generic or site-specific method. The generic method is used for sites connected at LV or HV and the site-specific method is used for sites connected at EHV or where a request for site-specific LLFs has been agreed. Generic LLFs will be applied as a default to all new EHV sites until sufficient data is available for a site-specific calculation.

Where the usage profile for a given site contains insufficiently large consumption or generation volumes to enable calculation of realistic site-specific LLFs then a default calculation, or default replacement process shall be undertaken.

A default replacement process shall be deemed to have been undertaken if a generic methodology is used where the following applies:

- (a) A Site has multiple connections to the total system and the primary connection is at EHV but there is a subordinate connection that is not connected at EHV, then a generic methodology may be used for the subordinate connection (even if a site-specific LLF is used for the Site's primary connection); and

---

<sup>9</sup> Energy can be lost for technical and non-technical reasons and losses normally occur by heat dissipation through power flowing in conductors and transformers. Losses can also reduce if a customer's action reduces power flowing in the distribution network. This might happen when a customer generates electricity and the produced energy is consumed locally.

(b) The connection has a capacity of less than or equal to 1MVA

The definition of EHV used for LLF purposes differs from the definition used for defining Designated EHV Properties in the EDCM. The definition used for LLF purposes can be found in our LLF methodology, which can be found on the Elexon website<sup>10</sup>.

### **Publication of line loss factors**

- 4.6. The LLFs used in Settlement are published on the Elexon Portal<sup>11</sup>. The website contains the LLFs in standard industry data formats and in a summary form. A user guide with details on registering and using the portal is also available.
- 4.7. BSCP128 sets out the timetable by which LLFs are submitted and audited. The submission and audit occurs between September and December in the year prior to the LLFs becoming effective. Only after the completion of the audit at the end of December and BSC approval are the final LLFs published.
- 4.8. As this statement is published a complete year before the LLFs for the charging year have been produced, Annex 5 is intentionally left blank. This statement will be reissued with Annex 5 populated once the LLFs have been calculated and audited. This should typically be more than three months prior to the statement coming into force.
- 4.9. When using the tables in Annex 5, reference should be made to the LLFC allocated to a Non-Migrated MPAN or to the DUoS Tariff ID allocated to a Migrated MPAN to find the appropriate values.

---

<sup>10</sup> BSCP128: Production, Submission, Audit and Approval of Line Loss Factors  
<https://www.elexon.co.uk/csd/bscp128-production-submission-audit-and-approval-of-line-loss-factors/>

<sup>11</sup> The Elexon Portal can be accessed from [www.elexonportal.co.uk](http://www.elexonportal.co.uk)

## **5. Notes for Designated EHV Properties**

### **EDCM FCP network group costs**

- 5.1. A table is provided in the accompanying spreadsheet which shows the underlying Forward Cost Pricing (FCP) network group costs used to calculate the current EDCM charges. This spreadsheet is available to download from our website [www.nationalgrid.co.uk](http://www.nationalgrid.co.uk).
- 5.2. These are illustrative of the modelled costs at the time that this statement was published. A new connection will result in changes to current network utilisations, which will then form the basis of future prices. The charge determined in this statement will not necessarily be the charge in subsequent years because of the interaction between new and existing network connections and any other changes made to our Distribution System which may affect charges.

### **Charges for new Designated EHV Properties**

- 5.3. Charges for any new Designated EHV Properties calculated after publication of the current statement will be published on our website in an addendum to that statement as and when necessary. The addendum will include charge information of the type found in Annex 2, and LLFs as found in Annex 5.
- 5.4. The form of the addendum is detailed in Annex 6 to this statement.
- 5.5. The new Designated EHV Properties' charges will be added to Annex 2 in the next full statement released.

### **Charges for amended Designated EHV Properties**

- 5.6. Where an existing Designated EHV Property is modified and energised in the charging year, we may revise the EDCM charges for the modified Designated EHV Property. If revised charges are appropriate, an addendum will be sent to all relevant parties and published as a revised 'Schedule of Charges and other tables' spreadsheet on our website. The modified Designated EHV Property charges will be added to Annex 2 in the next full statement released.

### **Demand-side management**

- 5.7. New or existing Designated EHV Property Customers may wish to offer part of their MIC to be interruptible by us (for active network management purposes other than normal planned or unplanned outages) in order to benefit from any reduced UoS charges calculated using the EDCM.

- 5.8. Several options exist in which we may agree for some or the entire MIC to be interruptible. Under the EDCM the applicable demand capacity costs would be based on the MIC minus the capacity subject to interruption.
- 5.9. If you are interested in making part or all of your MIC interruptible as an integral irrevocable feature of a new connection or modification to an existing connection you should in the first instance, contact our connections function;
- Online at <https://connections.nationalgrid.co.uk>
  - By email at [nged.newsupplies@nationalgrid.co.uk](mailto:nged.newsupplies@nationalgrid.co.uk)
  - By telephone on 0800 0963080

You must make an express statement in your application that you have an interest in some or all of the import capacity being interruptible for active network management purposes.

- 5.10. If you are proactively interested in voluntarily but revocably offering to make some or all of your existing connection's MIC interruptible you should in the first instance, contact our Income Manager at the address in paragraph 1.13.
- 5.11. No adjustments are made in the EDCM for interruptible Maximum Export Capacity under Generation Side Management (GSM) agreements.
- 5.12. We also engage flexibility services from customers on a commercial basis, without adjustments in the EDCM. If you are interested in offering such services, please visit <https://www.flexiblepower.co.uk> or contact [nged.flexiblepower@nationalgrid.co.uk](mailto:nged.flexiblepower@nationalgrid.co.uk)

## 6. Electricity distribution rebates

- 6.1. We have neither given nor announced any DUoS rebates to Users in the 12 months preceding the date of publication of this version of the statement.

## 7. Accounting and administration services

- 7.1. We reserve the right to impose payment default remedies. The remedies are as set out in DCUSA where applicable or else as detailed in the following paragraph.
- 7.2. If any invoices that are not subject to a valid dispute remain unpaid on the due date, late payment interest (calculated at base rate plus 8%) and administration charges may be imposed.
- 7.3. Our administration charges are detailed in the following table. These charges are set at a level which is in line with the Late Payment of Commercial Debts Act;

Size of Unpaid Debt	Late Payment Fee
Up to £999.99	£40.00
£1,000 to £9,999.99	£70.00
£10,000 or more	£100.00

## 8. Charges for electrical plant provided ancillary to the grant of use of system

- 8.1. None.

## 9. Schedule of fixed adders to recover Supplier of Last Resort and Eligible Bad Debt pass-through costs

### ***Supplier of Last Resort***

- 9.1. In accordance with Standard Condition 38B 'Last Resort Supply Payment Claims' ('SLC38B') and Special Condition 6 'Pass-through expenditure' ('SpC6') of our Electricity Distribution Licence, our charges will recover the amount of payments in Regulatory Year t made in response to Last Resort Supply Payment claims.

### ***Eligible Bad Debt***

- 9.2. In accordance with SpC6, our charges will recover the amount of use of system bad debt the Authority has consented to be recovered. This represents use of system bad debt our charges are recovering on behalf of Independent Distribution Network

Operators (IDNOs), in accordance with Standard Licence Condition 38C 'Treatment of Valid Bad Debt Claims' ('SLC38C'), and specifically paragraph 4 of that condition.

***Tables of Fixed Adders***

- 9.3. Tables listing the charges to recover Supplier of Last Resort and Eligible Bad Debt pass-through costs are published in Annex 7 to this document. The charges are shown for information only and are already included in the final charges.

## **10. Non-Final Demand Sites**

### **Charges for Non-Final Demand Sites**

10.1. A Non-Final Demand Site is charged an import tariff that excludes the residual cost element of charges. If the User wishes for a property to qualify for allocation to these tariffs, then the User must submit certification declaring that the property meets the required criteria as per DCUSA.

### **Process for submitting certification**

10.2. This certification should take the form as set out in Appendix 3 and be submitted to us using the contact details in 1.133.

We may, at our discretion, request a signed paper certificate from the User, in place of electronic. If requested, paper certification should be posted to the contact details in 1.13.

10.3. Users should undertake reasonable endeavours to ensure the facts attested to in the certification are true. We may request documentation evidencing these endeavours, including where appropriate, photographs of metering positions or system diagrams, following receipt of the certification.

10.4. If we determine that the documentation provided does not sufficiently evidence the undertaking of reasonable endeavours, does not support the facts attested to in the certification, or if no documentation is received, we may at our discretion reject the certification as invalid. If the certification is rejected as invalid, then the property will not qualify as a Non-Final Demand Site.

### **Application of charges for Non-Final Demand Sites**

10.5. A property will only be deemed to qualify as a Non-Final Demand Site, and be allocated charges as such, from the date on which we receive valid certification.

10.6. If a property that has previously been certified as a Non-Final Demand Site no longer satisfies the criteria as per DCUSA, then the User must inform us immediately.

10.7. For a property that has been previously certified as a Non-Final Demand Site, we will continue to apply the relevant no residual import tariff without the requirement for further certification, except in any one of the following circumstances:

- Where we have reason to believe that the property no longer qualifies as a Non-Final Demand Site; or
- Significant time has passed since the certification was submitted; or
- Where there is a change to the connection characteristics i.e. capacity change.

If such circumstances occur, we may request re-certification of the site, or reject the certification as invalid at our discretion.

10.8. When a property no longer meets the required criteria to qualify as a Non-Final Demand Site, we will change the allocation of charges accordingly from that point.

10.9. Please refer to the section 'Incorrectly allocated charges' if you believe the property has been incorrectly not allocated charges as a Non-Final Demand Site.

## **11. Back-up Connections**

### **Charges for Back-up Connections**

11.1. A Back-up Connection is charged an import tariff that excludes the residual cost element of charges. If the User wishes for a MPAN/MSID to qualify for allocation to these tariffs, then the User must provide evidence necessary to satisfy the definition of Back-up Connection as per DCUSA.

### **Process for providing evidence**

11.2. Users should undertake reasonable endeavours to ensure the facts attested to in the request are true. We may request documentation evidencing these endeavours, including where appropriate, photographs of metering positions or system diagrams.

11.3. If we determine that the documentation provided does not sufficiently evidence the undertaking of reasonable endeavours, does not support the facts attested to in the request, or if no documentation is received, we may at our discretion reject the evidence as invalid. If the evidence is rejected as invalid, then the property will not qualify as a Back-up Connection.

### **Application of charges for Back-up Connections**

11.4. A MPAN/MSID will only be deemed to qualify as a Back-up Connection, and be allocated charges as such, from the first of the month following the date on which we receive valid evidence.

11.5. If a MPAN/MSID that has previously been appointed as a Back-up Connection no longer satisfies the criteria as per DCUSA, then the User must inform us immediately.

11.6. For a MPAN/MSID that has been previously certified as a Back-up Connection, we will continue to apply the relevant no residual import tariff without the requirement for further certification, except in any one of the following circumstances:

- Where we have reason to believe that the MPAN/MSID no longer qualifies as a Back-up Connection; or

- Significant time has passed since the evidence was submitted; or
- Where there is a change to the connection characteristics i.e. capacity change.

If such circumstances occur, we may request evidence to be provided again for the site, or reject the evidence as invalid at our discretion.

11.7. When a MPAN/MSID no longer meets the required criteria to qualify as a Back-up Connection, we will change the allocation of charges accordingly from that point.

11.8. Please refer to the section 'Incorrectly allocated charges' if you believe the MPAN/MSID has been incorrectly not allocated charges as a Back-up Connection.

## Appendix 1 - Glossary

1.1. The following definitions, which can extend to grammatical variations and cognate expressions, are included to aid understanding:

Term	Definition
All-the-way Charge	A charge that is applicable to an end user rather than an LDNO. An end user in this context is a Supplier/User who has a registered MPAN or MSID and is using the Distribution System to transport energy on behalf of a Customer.
Back-up Connection	As defined in DCUSA Schedule 32.
Balancing and Settlement Code (BSC)	The BSC contains the governance arrangements for electricity balancing and settlement in Great Britain. An overview document is available from <a href="http://www.elexon.co.uk/ELEXON/Documents/trading_arrangements.pdf">www.elexon.co.uk/ELEXON Documents/trading_arrangements.pdf</a> .
Balancing and Settlement Code Procedure (BSCP)	A document of that title, as established or adopted and from time to time modified by the Panel in accordance with The Code, setting out procedures to be complied with (by Parties, Party Agents, BSC Agents, BSCCo, the Panel and others) in, and other matters relating to, the implementation of The Code;
Common Distribution Charging Methodology (CDCM)	The CDCM used for calculating charges to Designated Properties as required by standard licence condition 13A of the Electricity Distribution Licence.
Connection Agreement	An agreement between an LDNO and a Customer which provides that that Customer has the right for its connected installation to be and remain directly or indirectly connected to that LDNO's Distribution System
Central Volume Allocation (CVA)	As defined in the BSC.
Connection Type	Defines the physical connection as one of four valid types for metered supplies: 'W' Whole Current; 'L' Low Voltage (LV) Current Transformer; 'H' High Voltage (HV) Current Transformer; or 'E' Extra High Voltage (EHV) Current Transformer (E). It will also include a value of 'U' for unmetered connections.

Term	Definition
Customer	<p>A person to whom a User proposes to supply, or for the time being supplies, electricity through an exit point, or from who, a User or any relevant exempt supplier, is entitled to recover charges, compensation or an account of profits in respect of electricity supplied through an exit point;</p> <p>Or</p> <p>A person from whom a User purchases, or proposes to purchase, electricity, at an entry point (who may from time to time be supplied with electricity as a Customer of that User (or another electricity supplier) through an exit point).</p>
Designated EHV Properties	As defined in standard condition 13B of the Electricity Distribution Licence.
Designated Properties	As defined in standard condition 13A of the Electricity Distribution Licence.
Distribution Connection and Use of System Agreement (DCUSA)	<p>The DCUSA is a multi-party contract between the licensed electricity distributors, suppliers, generators and Offshore Transmission Owners of Great Britain.</p> <p>It is a requirement that all licensed electricity distributors and suppliers become parties to the DCUSA.</p>

Distributor IDs	These are unique IDs that can be used, with reference to the MPAN, to identify your LDNO. The charges for other network operators can be found on their website.		
	ID	Distribution Service Area	Company
	10	East of England	UK Power Networks
	11	East Midlands	National Grid Electricity
	12	London	UK Power Networks
	13	Merseyside and North Wales	Scottish Power
	14	Midlands	National Grid Electricity
	15	Northern	Northern Powergrid
	16	North Western	Electricity North West
	17	Scottish Hydro Electric (and embedded networks in other areas)	Scottish Hydro Electric Power Distribution plc
	18	South Scotland	Scottish Power
	19	South East England	UK Power Networks
	20	Southern Electric (and embedded networks in other areas)	Southern Electric Power Distribution plc
	21	South Wales	National Grid Electricity
	22	South Western	National Grid Electricity
	23	Yorkshire	Northern Powergrid
	24	All	Independent Power Networks
	25	All	ESP Electricity
	26	All	Energetics Electricity Ltd
	27	All	The Electricity Network Company Ltd
	29	All	Harlaxton Energy Networks
	30	All	Peel Electricity Networks Ltd
	31	All	UK Power Distribution Ltd
	32	All	Energy Assets Networks Limited
	33	All	Eclipse Power Networks Ltd
	34	All	Murphy Power Distribution Ltd
	35	All	Fulcrum Electricity Assets Ltd
	36	All	Vattenfall Networks Ltd
	37	All	Forbury Assets Limited
	38	All	Indigo Power Limited
	39	All	Stark Infra-Electricity Ltd

Term	Definition																								
	<table border="1"> <tr> <td data-bbox="619 239 692 282">40</td> <td data-bbox="692 239 1038 282">All</td> <td data-bbox="1038 239 1369 282">Utility Assets Limited</td> </tr> <tr> <td data-bbox="619 282 692 383">42</td> <td data-bbox="692 282 1038 383">All</td> <td data-bbox="1038 282 1369 383">Advanced Electricity Networks</td> </tr> <tr> <td data-bbox="619 383 692 425">43</td> <td data-bbox="692 383 1038 425">All</td> <td data-bbox="1038 383 1369 425">IDCSL</td> </tr> <tr> <td data-bbox="619 425 692 468">45</td> <td data-bbox="692 425 1038 468">All</td> <td data-bbox="1038 425 1369 468">Aurora Utilities Limited</td> </tr> <tr> <td data-bbox="619 468 692 510">46</td> <td data-bbox="692 468 1038 510">All</td> <td data-bbox="1038 468 1369 510">Aidien Limited</td> </tr> <tr> <td data-bbox="619 510 692 584">47</td> <td data-bbox="692 510 1038 584">All</td> <td data-bbox="1038 510 1369 584">Vital Energi Power Networks</td> </tr> <tr> <td data-bbox="619 584 692 658">48</td> <td data-bbox="692 584 1038 658">All</td> <td data-bbox="1038 584 1369 658">E.ON UK Network Assets Limited</td> </tr> <tr> <td data-bbox="619 658 692 701">51</td> <td data-bbox="692 658 1038 701">All</td> <td data-bbox="1038 658 1369 701">AGR Networks Ltd</td> </tr> </table>	40	All	Utility Assets Limited	42	All	Advanced Electricity Networks	43	All	IDCSL	45	All	Aurora Utilities Limited	46	All	Aidien Limited	47	All	Vital Energi Power Networks	48	All	E.ON UK Network Assets Limited	51	All	AGR Networks Ltd
40	All	Utility Assets Limited																							
42	All	Advanced Electricity Networks																							
43	All	IDCSL																							
45	All	Aurora Utilities Limited																							
46	All	Aidien Limited																							
47	All	Vital Energi Power Networks																							
48	All	E.ON UK Network Assets Limited																							
51	All	AGR Networks Ltd																							
Distribution Network Operator (DNO)	An electricity distributor that operates one of the 14 distribution services areas and in whose Electricity Distribution Licence the requirements of Section B of the standard conditions of that licence have effect.																								
Distribution Services Area	The area specified by the Gas and Electricity Markets Authority within which each DNO must provide specified distribution services.																								
Distribution System	<p>The system consisting (wholly or mainly) of electric lines owned or operated by an authorised distributor that is used for the distribution of electricity from:</p> <ul style="list-style-type: none"> <li>• Grid Supply Points or generation sets or other entry points</li> </ul> <p>to the points of delivery to:</p> <ul style="list-style-type: none"> <li>• Customers or Users or any transmission licensee in its capacity as operator of that licensee's transmission system or the Great Britain (GB) transmission system and includes any remote transmission assets (owned by a transmission licensee within England and Wales) that are operated by that authorised distributor and any electrical plant, electricity meters, and metering equipment owned or operated by it in connection with the distribution of electricity, but does not include any part of the GB transmission system.</li> </ul>																								
DUoS Tariff Id	An identifier assigned to an SVA metering system which is used to assign the use of system charges for Migrated MPANs																								
EHV Distribution Charging Methodology (EDCM)	The EDCM used for calculating charges to Designated EHV Properties as required by standard licence condition 13B of the Electricity Distribution Licence.																								
Electricity Distribution Licence	The Electricity Distribution Licence granted or treated as granted pursuant to section 6(1) of the Electricity Act 1989.																								
Electricity Distributor	Any person who is authorised by an Electricity Distribution Licence to distribute electricity.																								

<b>Term</b>	<b>Definition</b>
Embedded Network	An electricity Distribution System operated by an LDNO and embedded within another Distribution System.
Embedded Network report for DUoS – aggregated data	A report of data by IDNO's DUoS Tariff ID and by IDNO providing counts of MPANs and units consumed
Engineering Recommendation P2/6	A document of the Energy Networks Association, which defines planning standards for security of supply and is referred to in Standard Licence Condition 24 of the Electricity Distribution Licence.
Entry Point	A boundary point at which electricity is exported onto a Distribution System from a connected installation or from another Distribution System, not forming part of the total system (boundary point and total system having the meaning given to those terms in the BSC).
Exit Point	A point of connection at which a supply of electricity may flow from the Distribution System to the Customer's installation or User's installation or the Distribution System of another person.
Extra High Voltage (EHV)	Nominal voltages of 22kV and above.
Final Demand Site	As defined in DCUSA Schedule 32.
Gas and Electricity Markets Authority (GEMA)	As established by the Utilities Act 2000.
Grid Supply Point (GSP)	A metered connection between the National Grid Electricity Transmission system and the licensee's distribution system at which electricity flows to or from the Distribution System.
GSP group	A distinct electrical system that is supplied from one or more GSPs for which total supply into the GSP group can be determined for each half hour.
High Voltage (HV)	Nominal voltages of at least 1kV and less than 22kV.
Industry Standing Data (ISD)	Industry Standing Data (ISD) is the reference data used in Settlement processes under MHHS.
Invalid Settlement Combination	A Settlement combination that is not recognised as a valid combination in market domain data - see <a href="https://www.elexonportal.co.uk/MDDVIEWER">https://www.elexonportal.co.uk/MDDVIEWER</a> .
kVA	Kilovolt ampere.
kVArh	Kilovolt ampere reactive hour.
kW	Kilowatt.
kWh	Kilowatt hour (equivalent to one "unit" of electricity).
LDSO report for DUoS – aggregated data	A report of data by DUoS Tariff ID and Supplier providing counts of MPANs and units consumed

Term	Definition
Licensed Distribution Network Operator (LDNO)	The holder of a Licence to distribute electricity.
Line Loss Factor (LLF)	The factor that is used in Settlement to adjust the metering system volumes to take account of losses on the distribution system.
Line Loss Factor Class (LLFC)	An identifier assigned to an SVA metering system which is used to assign the LLF and use of system charges for Non-Migrated MPANs.
Load Factor	$= \frac{\text{annual consumption (kWh)}}{\text{maximum demand (kW)} \times \text{hours in year}}$
Low Voltage (LV)	Nominal voltages below 1kV.
LV Substation Tariff	This tariff applies as described in DCUSA Schedule 16 Section 141, Note 3, where the metering CT is within 10m by cable route of the HV/LV substation transformation chamber.
Market Domain Data (MDD)	MDD is a central repository of reference data available to all Users involved in Settlement. It is essential to the operation of SVA trading arrangements. More information can be found here <a href="#">Market Domain Data - Elexon BSC</a>
Market Segment	<p>Market Segment is derived from the Meter Type and Connection Type using a defined set of business rules.</p> <p>There are three Market Segments:</p> <ul style="list-style-type: none"> <li>• Smart and Non-Smart (Including Smart Meters with Settlement Period level data available, Smart Meters with only Register Readings available and Non-Smart Meters with Register Readings);</li> <li>• Advanced (which are Advanced Metering Systems with Settlement Period level data available);</li> <li>• Unmetered</li> </ul>
Market-Wide HH Settlement (MHHS)	Market-wide Half-Hourly Settlement (MHHS) is a key enabler of the flexibility to support the transition to Net Zero. The MHHS Programme will contribute to a more cost-effective electricity system, encouraging more flexible use of energy and helping consumers lower their bills.
Maximum Export Capacity (MEC)	The MEC of apparent power expressed in kVA that has been agreed can flow through the entry point to the Distribution System from the Customer's installation as specified in the connection agreement.
Maximum Import Capacity (MIC)	The MIC of apparent power expressed in kVA that has been agreed can flow through the exit point from the Distribution System to the Customer's installation as specified in the connection agreement.

Term	Definition
Measurement Class	<p>A classification of Metering Systems used in the BSC which indicates how consumption is measured, i.e.:</p> <ul style="list-style-type: none"> <li>• Measurement Class A – non-half hourly metering equipment;</li> <li>• Measurement Class B – non-half hourly unmetered supplies;</li> <li>• Measurement Class C – half hourly metering equipment at or above 100kW premises;</li> <li>• Measurement Class D – half hourly unmetered supplies;</li> <li>• Measurement Class E – half hourly metering equipment below 100kW premises with CT;</li> <li>• Measurement Class F – half hourly metering equipment at below 100kW premises with CT or whole current, and at domestic premises; and</li> <li>• Measurement Class G – half hourly metering equipment at below 100kW premises with whole current and not at domestic premises.</li> </ul>
Meter Timeswitch Code (MTC)	<p>MTCs are three digit codes allowing suppliers to identify the metering installed in Customers' premises. They indicate whether the meter is single or multi-rate, pre-payment or credit, or whether it is 'related' to another meter. Further information can be found in MDD.</p>
Metering Point	<p>The point at which electricity that is exported to or imported from the licensee's Distribution System is measured, is deemed to be measured, or is intended to be measured and which is registered pursuant to the provisions of the REC. For the purposes of this statement, GSPs are not 'Metering Points'.</p>
Metering Point Administration Number (MPAN)	<p>A number relating to a Metering Point under the REC.</p>
Metering System	<p>Particular commissioned metering equipment installed for the purposes of measuring the quantities of exports and/or imports at the exit point or entry point.</p>
Metering System Identifier (MSID)	<p>MSID is a term used throughout the BSC and its subsidiary documents and has the same meaning as MPAN as used under the REC.</p>
Migrated MPANs	<p>Migration refers to the process by which MPANs are migrated from the legacy arrangements to the new MHHS arrangements.</p>
Nested Networks	<p>This refers to a situation where there is more than one level of Embedded Network and therefore nested Distribution Systems between LDNOs (e.g. host DNO → primary nested DNO → secondary nested DNO → customer).</p>
Non-Final Demand (NFD) Site	<p>As defined in DCUSA Schedule 32.</p>
Non-Migrated MPANs	<p>This refers to the status when an MPAN is on the legacy arrangements and before migrating under MHHS.</p>

<b>Term</b>	<b>Definition</b>
Ofgem	Office of Gas and Electricity Markets – Ofgem is governed by GEMA and is responsible for the regulation of the distribution companies.
Profile Class (PC)	A categorisation applied to NHH MPANs and used in settlement to group customers with similar consumption patterns to enable the calculation of consumption profiles.
Retail Energy Code (REC)	A code that consolidates the switching arrangements historically set out in the Master Registration Agreement (MRA) and the Supply Point Administration Agreement (SPAA) (for gas) into one dual-fuel code. Provides a governance mechanism to manage the processes established between electricity suppliers and distribution companies to enable electricity suppliers to transfer customers. It includes terms for the provision of Metering Point Administration Services (MPAS) Registrations.
Settlement	The determination and settlement of amounts payable in respect of charges (including reconciling charges) in accordance with the BSC.
Settlement Class (SC)	The combination of Profile Class, Line Loss Factor Class, Time Pattern Regime and Standard Settlement Configuration, by Supplier within a GSP group and used for Settlement.
Standard Settlement Configuration (SSC)	A standard metering configuration relating to a specific combination of Time Pattern Regimes.
Supercustomer	The method of billing Users for use of system on an aggregated basis, grouping together consumption and standing charges for all similar NHH metered Customers or aggregated HH metered Customers. Also referred to as Aggregate billing.
Supercustomer DUoS Report	A report of profiled data by Settlement Class providing counts of MPANs and units consumed.
Supplier	An organisation with a supply licence responsible for electricity supplied to and/or exported from a metering point.
Supplier Volume Allocation (SVA)	As defined in the BSC.
Time Pattern Regime (TPR)	The pattern of switching behaviour through time that one or more meter registers follow.
Unmetered Supplies	Exit points deemed to be suitable as unmetered supplies as permitted in the Electricity (Unmetered Supply) Regulations 2001 and where operated in accordance with BSC procedure 520 <sup>12</sup> .
Use of System Charges	Charges which are applicable to those parties which use the Distribution System.

<sup>12</sup> Balancing and Settlement Code Procedures are available from <http://www.elexon.co.uk/pages/bscps.aspx>

<b>Term</b>	<b>Definition</b>
User	Someone that has a use of system agreement with the DNO e.g. a supplier, generator or other LDNO.

## Appendix 2 - Guidance notes<sup>13</sup>

### Background

- 1.1. The electricity bill from your Supplier contains an element of charge to cover electricity distribution costs. This distribution charge covers the cost of operating and maintaining a safe and reliable Distribution System that forms the 'wires' that transport electricity between the national transmission system and end users such as homes and businesses. Our Distribution System includes overhead lines, underground cables, as well as substations and transformers.
- 1.2. In most cases, your Supplier is invoiced for the distribution charge and this is normally part of your total bill. In some cases, for example business users, the Supplier may pass through the distribution charge as an identifiable line item on the electricity bill.
- 1.3. Where electricity is generated at a premises your Supplier may receive a credit for energy that is exported on to the Distribution System. These credits are intended to reflect that the exported generation may reduce the need for traditional demand led reinforcement of the Distribution System.
- 1.4. Understanding your distribution charges could help you reduce your costs and increase your credits. This is achieved by understanding the components of the charge to help you identify whether there may be opportunities to change the way you use the Distribution System.

### Meter point administration

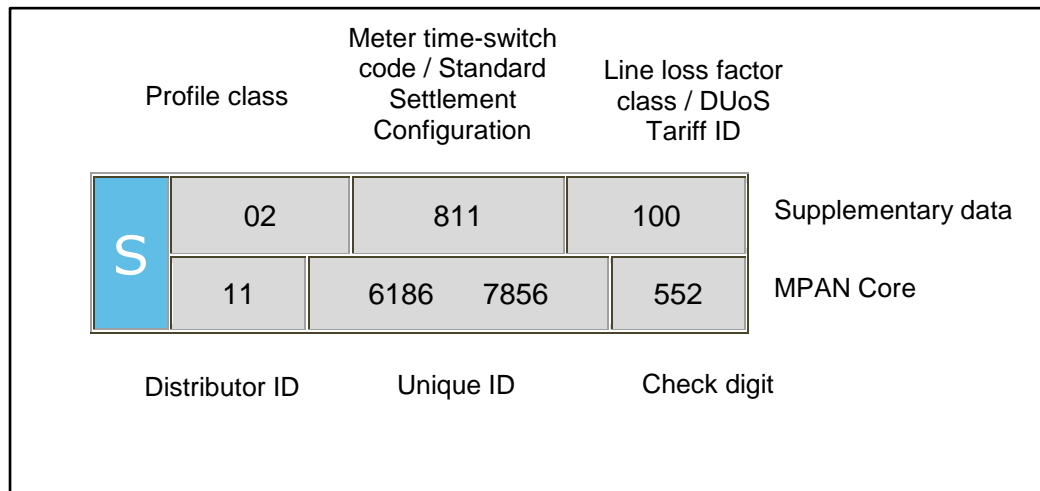
- 1.5. We are responsible for managing the electricity supply points that are connected to our Distribution System. Typically, every supply point is identified by a Meter Point Administration Number (MPAN). A few supply points may have more than one MPAN depending on the metering configuration (e.g. a school which may have an MPAN for the main supply and an MPAN for catering).
- 1.6. The full MPAN is a 21 digit number, preceded by an 'S' and includes supplementary data. The MPAN applicable to a supply point is found on the electricity bill from your Supplier. This number enables you to establish who your electricity distributor is, details of the characteristics of the supply and importantly the distribution charges that are applicable to your premises.

---

<sup>13</sup> These guidance notes are provided for additional information and do not form part of the application of charges.

- 1.7. The 21-digit number is normally presented in two sections as shown in the following diagram. The top section is supplementary data which gives information about the characteristics of supply, while the bottom 'core' is the unique identifier.

Full MPAN diagram



- 1.8. Generally, you will only need to know the Distributor ID and LLFC/DUoS Tariff ID to identify the distribution charges for your premises. However, there are some premises where charges are specific to that site. In these instances, the charges are identified by the MPAN core. The Distributor ID for EMEB is 11. Other Distributor IDs can be referenced in the glossary.

- 1.9. Additionally, it can be useful to understand the profile class provided in the supplementary data. The profile class will be a number between 00 and 08. The following list provides details of the allocation of profile classes to types of customers:

- '01' – Domestic customers with unrestricted supply
- '02' – Domestic customers with restricted load, for example off-peak heating
- '03' – Non-domestic customers with unrestricted supply
- '04' – Non-domestic customers with restricted load, for example off-peak heating
- '05' – Non-domestic maximum demand customers with a Load Factor of less than 20%
- '06' – Non-domestic maximum demand customers with a Load Factor between 20% and 30%
- '07' – Non-domestic maximum demand customers with a Load Factor between 30% and 40%

- '08' – Non-domestic maximum demand customers with a Load Factor over 40% or non-half hourly metered generation customers
  - '00' – Half-hourly metered, demand and generation customers (including all Migrated MPANs)
- 1.10. Unmetered Supplies will be allocated to profile class 01, 08 or 00 depending on the type of load or the measurement method of the load.
- 1.11. The allocation of the profile class will affect your charges for Non-Migrated MPANs. If you feel that you have been allocated the wrong profile class, please contact your Supplier as they are responsible for this.

### **Your charges**

- 1.12. All distribution charges that relate to our Distributor ID 11 are provided in this statement.
- 1.13. You can identify your charges by referencing your LLFC/DUoS Tariff ID, from Annex 1. If the MPAN is for a Designated EHV Property, then the charges will be found in Annex 2. In a few instances, the charges may be contained in Annex 3 or Annex 6. When identifying charges in Annex 2, please note that some LLFC/DUoS Tariff IDs have more than one charge. In this instance, you will need to select the correct charge by cross-referencing with the MPAN core provided in the table.
- 1.14. Once you have identified which charge structure applies to your MPAN then you will be able to calculate an estimate of your distribution charge using the calculator provided in the spreadsheet 'Schedule of charges and other tables' found in the sheet called 'Charge Calculator'. This spreadsheet can be downloaded from [www.nationalgrid.co.uk](http://www.nationalgrid.co.uk).

### **Reducing your charges**

- 1.15. The most effective way to reduce your energy charges is to reduce your consumption by switching off or using more energy efficient appliances. However, there are also other potential opportunities to reduce your distribution charges; for example, it may be beneficial to shift demand or generation to a better time period. Demand use is likely to be cheaper outside peak periods and generation credits more beneficial during peak periods, although the ability to directly benefit will be linked to the structure of your supply charges.

- 1.16. The calculator mentioned above provides the opportunity to establish a forecast of the change in distribution charges that could be achieved if you are able to change any of the consumption related inputs.

### **Reactive power and reactive power charges**

- 1.17. Reactive power is a separately charged component of connections that are half hourly metered. Reactive power charges are generally avoidable if 'best practice' design of the properties' electrical installation has been provided in order to maintain a power factor between 0.95 and unity at the Metering Point.
- 1.18. Reactive Power (kVArh) is the difference between working power (active power measured in kW) and total power consumed (apparent power measured in kVA). Essentially it is a measure of how efficiently electrical power is transported through an electrical installation or a Distribution System.
- 1.19. Power flowing with a power factor of unity results in the most efficient loading of the Distribution System. Power flowing with a power factor of less than 0.95 results in much higher losses in the Distribution System, a need to potentially provide higher capacity electrical equipment and consequently a higher bill for you the consumer. A comparatively small improvement in power factor can bring about a significant reduction in losses since losses are proportional to the square of the current.
- 1.20. Different types of electrical equipment require some 'reactive power' in addition to 'active power' in order to work effectively. Electric motors, transformers and fluorescent lighting, for example, may produce poor power factors due to the nature of their inductive load. However, if good design practice is applied then the poor power factor of appliances can be corrected as near as possible to source. Alternatively, poor power factor can be corrected centrally near to the meter.
- 1.21. There are many advantages that can be achieved by correcting poor power factor. These include: reduced energy bills through lower reactive charges, lower capacity charges and reduced power consumption and reduced voltage drop in long cable runs.

### **Site-specific EDCM charges**

- 1.22. A site classified as a Designated EHV Property is subject to a locational-based charging methodology (referred to as EDCM) for higher voltage network users. Distributors use one of two approved approaches: Long Run Incremental Cost

(LRIC) or Forward Cost Pricing (FCP); we use the FCP. The EDCM will apply to Customers connected at EHV or connected at HV and metered at an EHV/HV Substation.

1.23. EDCM charges and credits are site-specific, reflecting the degree to which the local and higher voltage networks have the capacity to serve more demand or generation without the need to upgrade the electricity infrastructure. The charges also reflect the networks specifically used to deliver the electricity to the site as well as the usage at the site. Generators with non-intermittent output and deemed to be providing beneficial support to our networks may qualify to receive credit.

1.24. The charges under the EDCM comprise of the following individual components:

a) **Fixed charge (pence/MPAN/day)** - This charge recovers operational costs associated with those connection assets that are provided for the 'sole' use of the customer and a residual amount to ensure recovery of our regulated allowed revenue.

b) **Capacity charge (pence/kVA/day)** - This charge comprises the relevant FCP component, the National Grid Electricity Transmission cost and other regulated costs.

Capacity charges are levied on the MIC, MEC, and any exceeded capacity. You may wish to review your MIC or MEC periodically to ensure it remains appropriate for your needs as you may be paying for more capacity than you require. If you wish to make changes contact us via the details in paragraph 1.13

The FCP cost is locational and reflects our assessment of future network reinforcement necessary at the voltage of connection (local) and beyond at all higher voltages (remote) relevant to the customer's connection. This results in the allocation of higher costs in more capacity congested parts of the network reflecting the greater likelihood of future reinforcement in these areas, and the allocation of lower costs in less congested parts of the network. The local FCP cost is included in the capacity charge.

Our regulated costs include direct and indirect operational costs. The capacity charge recovers these costs using the customer usage profile and the relevant assets being used to transport electricity between the source substation and customer's Metering Point.

- c) **Super-red unit charge (pence/kWh)** - This charge recovers the remote FCP component. The charge is positive for import and negative for export which means you can either reduce your charges by minimising consumption or increasing export at those times. The charge is applied to consumption during the Super-red time period as detailed in Annex 2.
- 1.25. Future charge rates may be affected by consumption during the Super-red period, therefore reducing consumption in the Super-red time period may be beneficial.
- 1.26. **Reactive Power** - The EDCM does not include a separate charge component for any reactive power flows (kVAr) for either demand or generation. However, the EDCM charges do reflect the effect on the network of the customer's power factor; for example, unit charges can increase if your site power factor is poor (lower than 0.95). Improving your site's power factor will also reduce the maximum demand (kVA) for the same power consumed in kW thus providing scope to reduce your agreed capacity requirements.

### Appendix 3 – Non-Final Demand Site Certificate

A certificate set out in the form of the example shown below should be submitted to confirm that a site qualifies as a Non-Final Demand Site.

<b>Non-Final Demand Site Certificate of Compliance</b>	
<p>This is to certify that the Metering System listed below qualifies as compliant with the criteria of a Non-Final Demand Site, for the purposes of Use of System charges, and that:</p> <p>The property is a Single Site at which either or both Electricity Storage and/or Electricity Generation occurs (whether the facility(ies) at the site are operating or being commissioned, repaired or decommissioned), and that:</p> <ul style="list-style-type: none"> <li>a) has an export Metering Point or Metering System and an import Metering Point or Metering System with associated metering equipment which only measures export from Electricity Storage and/or Electricity Generation and import for or directly relating to Electricity Storage and/or Electricity Generation (and not export from another source and/or import for another activity); and               <ul style="list-style-type: none"> <li>i) if registered in an MPAS Registration System, is subject to certification from a Supplier Party that the site meets the criteria in paragraph (a) above, which certificate has been provided to the DNO/IDNO Party; or</li> <li>ii) if registered in CMRS, is subject to certification from the Customer (or its CVA Registrant) that the site meets the criteria in paragraph (a) above, which certificate has been provided to the DNO/IDNO Party.</li> </ul> </li> </ul> <p>For the purposes of this declaration, the term Non-Final Demand Site has the meaning given to it in the DCUSA.</p>	
Metering System Site Address:	
Qualifying Import MPAN/MSID(s)	Qualifying Export MPAN/MSID(s)
<p>I declare that I understand the qualification requirements and certify that the above Metering System meets the criteria of a Non-Final Demand Site.</p> <p>Authorised signatory:</p> <p>Name and designation:</p> <p>On behalf of company:</p> <p>Date:</p>	

# Annex 1 - Schedule of Charges for use of the Distribution System by LV and HV Designated Properties

## National Grid Electricity Distribution (East Midlands) plc - Effective from 1 April 2027 - Final LV and HV charges

Time Bands for LV and HV Designated Properties			
Time periods	Red Time Band	Amber Time Band	Green Time Band
Monday to Friday (Including Bank Holidays) All Year	16:00 - 19:00	07:30 to 16:00 19:00 to 21:00	00:00 to 07:30 21:00 to 24:00
Saturday and Sunday All Year			00:00 to 24:00
Notes	All the above times are in UK Clock time		

Time Bands for Unmetered Properties			
	Black Time Band	Yellow Time Band	Green Time Band
Monday to Friday (Including Bank Holidays) Nov to Feb Inclusive	16:00 to 19:00	07:30 to 16:00 19:00 to 21:00	00:00 to 07:30 21:00 to 24:00
Monday to Friday (Including Bank Holidays) Mar to Oct Inclusive		07:30 to 21:00	00:00 to 07:30 21:00 to 24:00
Saturday and Sunday All year			00:00 to 24:00
Notes	All the above times are in UK Clock time		

Tariff name	Open LLFCs/ DUoS Tariff IDs	PCs	Red/black unit charge p/kWh	Amber/yellow unit charge p/kWh	Green unit charge p/kWh	Fixed charge p/MPAN/day	Capacity charge p/kVA/day	Exceeded capacity charge p/kVA/day	Reactive power charge p/kVAh	Closed LLFCs
Domestic Aggregated or CT with Residual	1, 3, 246, D01	0, 1, 2	12.755	1.521	0.125	12.28				2, 4, 8, 10
Domestic Aggregated (Related MPAN)	11	2	12.755	1.521	0.125					
Non-Domestic Aggregated or CT No Residual	N10, N20, N30, X10, X20, X30	0, 3, 4, 5- 8	12.349	1.473	0.121	12.13				
Non-Domestic Aggregated or CT Band 1	13, 37, 81, 80, 247, 90, X11, X21, X31	0, 3, 4, 5- 8	12.349	1.473	0.121	15.42				22, 34, 43, 16, 19, 28, 31, 49, 52, 83, 85
Non-Domestic Aggregated or CT Band 2	N12, N22, N32, X12, X22, X32	0, 3, 4, 5- 8	12.349	1.473	0.121	24.53				
Non-Domestic Aggregated or CT Band 3	N13, N23, N33, X13, X23, X33	0, 3, 4, 5- 8	12.349	1.473	0.121	39.34				
Non-Domestic Aggregated or CT Band 4	N14, N24, N34, X14, X24, X34	0, 3, 4, 5- 8	12.349	1.473	0.121	83.58				
Non-Domestic Aggregated (related MPAN)	901	4	12.349	1.473	0.121					
LV Site Specific No Residual	L00, LST	0	8.368	0.935	0.072	14.27	7.88	7.88	0.247	
LV Site Specific Band 1	58, 990	0	8.368	0.935	0.072	139.65	7.88	7.88	0.247	
LV Site Specific Band 2	L02	0	8.368	0.935	0.072	226.69	7.88	7.88	0.247	
LV Site Specific Band 3	L03	0	8.368	0.935	0.072	356.10	7.88	7.88	0.247	
LV Site Specific Band 4	L04	0	8.368	0.935	0.072	701.34	7.88	7.88	0.247	
LV Sub Site Specific No Residual	S00, SST	0	5.507	0.524	0.033	11.14	7.62	7.62	0.156	
LV Sub Site Specific Band 1	59	0	5.507	0.524	0.033	136.52	7.62	7.62	0.156	
LV Sub Site Specific Band 2	S02	0	5.507	0.524	0.033	223.56	7.62	7.62	0.156	
LV Sub Site Specific Band 3	S03	0	5.507	0.524	0.033	352.97	7.62	7.62	0.156	
LV Sub Site Specific Band 4	S04	0	5.507	0.524	0.033	698.21	7.62	7.62	0.156	
HV Site Specific No Residual	H00, HST	0	3.125	0.233	0.009	102.86	8.83	8.83	0.077	
HV Site Specific Band 1	60, 991	0	3.125	0.233	0.009	952.43	8.83	8.83	0.077	929
HV Site Specific Band 2	H02	0	3.125	0.233	0.009	2585.12	8.83	8.83	0.077	
HV Site Specific Band 3	H03	0	3.125	0.233	0.009	4700.06	8.83	8.83	0.077	
HV Site Specific Band 4	H04	0	3.125	0.233	0.009	11785.66	8.83	8.83	0.077	
Unmetered Supplies	800, 801, 802, 803, 804	0, 1 or 8	39.633	2.960	1.656					
LV Generation Aggregated	986	0	-8.040	-0.959	-0.079	0.00				
LV Sub Generation Aggregated	970	0	-6.716	-0.769	-0.061	0.00				
LV Generation Site Specific	971, 973	0	-8.040	-0.959	-0.079	0.00			0.280	
LV Generation Site Specific no RP charge	141, 142	0	-8.040	-0.959	-0.079	0.00				
LV Sub Generation Site Specific	972, 974	0	-6.716	-0.769	-0.061	0.00			0.209	
LV Sub Generation Site Specific no RP charge	143, 144	0	-6.716	-0.769	-0.061	0.00				
HV Generation Site Specific	975, 977	0	-4.189	-0.398	-0.025	64.37			0.173	
HV Generation Site Specific no RP charge	145, 146	0	-4.189	-0.398	-0.025	64.37				

Note: Where a tariff only has a p/kWh unit rate in Unit Charge 1 then this unit rate applies at all times.

Annex 2 - Schedule of Charges for use of the Distribution System by Designated EHV Properties (including LDNOs with Designated EHV Properties/end-users).

National Grid Electricity Distribution (East Midlands) plc - Effective from 1 April 2027 - Final Designated EHV charges

Time Periods for Designated EHV Properties	
Time periods	Super Red Time Band
Monday to Friday (Including Bank Holidays) November to February Inclusive	16:00 to 19:00
Notes	All the above times are in UK Clock time

Import Unique Identifier	LLFC/DUoS Tariff Id	Import MPANs/MSIDs	Export Unique Identifier	LLFC/DUoS Tariff Id	Export MPANs/MSIDs	Name	Residual Charging Band	Import Super Red unit charge (p/kWh)	Import fixed charge (p/day)	Import capacity charge (p/kVA/day)	Import exceeded capacity charge (p/kVA/day)	Export Super Red unit charge (p/kWh)	Export fixed charge (p/day)	Export capacity charge (p/kVA/day)	Export exceeded capacity charge (p/kVA/day)
61	61	1100039606230 1100050612745				Jaguar Land Rover Gaydon	4	1.892	63462.67	2.48	2.48				
155	155	1170000982191	479	479	1170000982207	Lyon Road Gas Gen		1.055	62.72	1.53	1.53	-1.862	1672.51	0.05	0.05
156	156	1170001003919	480	480	1170001003928	Asher Lane 33kV STOR			6.73	1.23	1.23	-0.534	356.85	0.05	0.05
157	157	1170001052172	481	481	1170001052181	Spondon Peaking STOR		3.512	19.13	4.85	4.85	-9.270	536.92	0.05	0.05
159	159	1170001154334	483	483	1170001154343	Churchover solar farm new			0.224	18.70	1.61	1.61	2287.52	0.05	0.05
160	160	1170001200878	484	484	1170001200887	Hall Farm Site PV 2		0.536	9.71	1.80	1.80		172.06	0.05	0.05
161	161	1170001247398	485	485	1170001247403	Back Lane ESS			750.21	1.61	1.61	-1.234	750.21	0.05	0.05
162	162	1170001302506	486	486	1170001302515	Thornton Estate, Weighbridge Road			5.47	1.71	1.71	-0.945	546.73	0.05	0.05
163	163	1170001326302	487	487	1170001326311	Battery Ln Boston ESS		6.590	181.79	0.71	0.71	-6.675	181.79	0.05	0.05
164	164	1170001342581	488	488	1170001342590	Willowbrook Industrial Estate		1.545	560.81	1.18	1.18	-2.063	4806.93	0.05	0.05
165	165	1170001402770	489	489	1170001402799	Fiskerton Airfield			4.47	0.85	0.85		893.44	0.05	0.05
166	166	1170001415724	490	490	1170001415733	Whitecross Lane PV Park			9.87	1.78	1.78		4537.96	0.05	0.05
167	167	1170001443100	491	491	1170001443128	Streetfield Farm Watling PV		0.247	19.93	1.00	1.00		1893.65	0.05	0.05
168	168	1170001544439	492	492	1170001544448	Gorse Lane Solar			8.76	1.22	1.22		5958.61	0.05	0.05
169	169	1170001544633	493	493	1170001544642	Gorse Lane Solar Ext			8.94	1.22	1.22		5958.43	0.05	0.05
173	173	1170001694589	497	497	1170001694598	Highgrounds STOR			19.11	1.41	1.41	-0.660	3821.72	0.05	0.05
174	174	1170001697951	498	498	1170001698844	Hayton Lakes Battery			293.05	0.68	0.68		200.16	0.05	0.05
175	175	1170001697970	499	499	1170001697960	Hayton Lakes PV			4.44	0.83	0.83		398.04	0.05	0.05
176	176	1170001813100	500	500	1170001813110	Manor Farm			28.14	0.85	0.85		2645.05	0.05	0.05
177	177	1170001815428	501	501	1170001815437	Potash Farm A ESS			3449.50	1.46	1.46	-1.031	3449.50	0.05	0.05
178	178	1170001777720	502	502	1170001777784	Potash Farm B ESS			3449.50	1.44	1.44	-1.031	3449.50	0.05	0.05
180	180	1170001821626	504	504	1170001821556	Adstock Solar Farm, Addington		1.005	2.44	2.85	2.85		732.19	0.05	0.05
181	181	1170001869405	505	505	1170001869414	Eastfields Solar		1.892	2070.54	1.34	1.34	-2.857	2070.54	0.05	0.05
182	182	1170002051843	506	506	1170002051922	Chapel Street, Stapleton		0.250	1.34	1.61	1.61		400.74	0.05	0.05
183	183	1170002064434	507	507	1170002064452	Manor Farm Bourton			35.19	2.12	2.12		1055.75	0.05	0.05
185	185	1170002076388	509	509	1170002076397	Newbold Pacey, Newbold Road		1.848	3.60	1.99	1.99		359.98	0.05	0.05
186	186	1170002082586	510	510	1170002082595	Harborough Fields Farm			40.16	1.35	1.35		3367.40	0.05	0.05
187	187	1170002107576	511	511	1170002107594	Private Rd No5 Colwick		1.332	25.07	1.98	1.98	-3.212	25.07	0.05	0.05
190	190	1170001889874	514	514	1170001889908	Inkersall Farm PV			15.31	1.22	1.22		6122.30	0.05	0.05
191	191	1170002171864	515	515	1170002171891	Chestnut Farm			33.98	2.23	2.23	-1.764	329.61	0.05	0.05
192	192	1170002225828	516	516	1170002225873	Osberton Solar			4.08	1.69	1.69		1110.12	0.05	0.05
193	193	1170002229520	517	517	1170002229558	Astley Gorse Solar		0.240	2.45	3.22	3.22		489.45	0.05	0.05
195	195	1170002296030	519	519	1170002296049	Moor Lane Solar Farm		0.592	28.20	2.12	2.12		846.06	0.05	0.05
196	196	1170002269408	520	520	1170002269426	Rolleston Park 2			20.51	1.66	1.66		984.63	0.05	0.05
253	253	1170001236847	452	452	1170001236856	Branston Potato Farm			193.83	1.05	1.05		22152.07	0.05	0.05
254	254	1170001326288	453	453	1170001326297	Cotham Grange 132 PV			9.98	1.06	1.06		945.72	0.05	0.05
255	255	1170001439707	454	454	1170001439725	Newhurst ERF 132 EFW			2894.65	0.67	0.67		19297.70	0.05	0.05
256	256	1170001496013	455	455	1170001495989	Grafton Underwood			2.02	2.30	2.30		895.89	0.05	0.05
257	257	1170001534811	456	456	1170001534820	Desford Road BESS 132			448.95	1.16	1.16	-0.635	448.95	0.05	0.05
258	258	1170001675196	457	457	1170001675113	Crick Road Solar Plant			10.59	1.33	1.33		1056.76	0.05	0.05
259	259	1170001689551				Hayton Lakes PV 132			2.22	1.15	1.15				
260	260	1170001875862	458	458	1170001876003	Land at Low Farm			2.17	1.69	1.69		943.90	0.05	0.05
261	261	1170001991736	459	459	1170001991754	Inkersall Grange Farm Bilsthorpe PV			17.64	0.67	0.67		880.27	0.05	0.05
262	262	1170001991684	460	460	1170001991693	Land at Crifton Lodge Farm Bilsthorpe PV			6.20	1.51	1.51		1239.74	0.05	0.05
263	263	1170002121701	461	461	1170002121710	Land at Ash Farm ESS & PV			708.35	0.94	0.94		2479.24	0.05	0.05
264	264	1170002125450	462	462	1170002125715	Halloughton Solar Farm Southwell			146.30	1.15	1.15		29200.65	0.05	0.05
265	265	1170002144754	463	463	1170002144763	Bagworth Road, Newbold Verdon			4.48	1.60	1.60		893.43	0.05	0.05
266	266	1170002166632	464	464	1170002166697	Winkburn Solar			8.89	1.15	1.15		889.02	0.05	0.05
267	267	1170002175520	465	465	1170002175530	Ashorne Solar			149.90	2.31	2.31	-1.920	748.01	0.05	0.05
270	270	1170002199275	466	466	1170002199293	Copse Lodge Solar Farm			4.48	1.88	1.88		893.43	0.05	0.05
271	271	1170002070553	275	275	1170002070605	Haunton Manor Farm Solar Project			8.19	1.59	1.59		889.71	0.05	0.05

Note: The list of MPANs / MSIDs provided may be incomplete; the DNO reserves the right to apply the listed charges to any other MPANs / MSIDs associated with the site.

Annex 2 - Schedule of Charges for use of the Distribution System by Designated EHV Properties (including LDNOs with Designated EHV Properties/end-users).

Import Unique Identifier	LLFC/DUoS Tariff Id	Import MPANs/MSIDs	Export Unique Identifier	LLFC/DUoS Tariff Id	Export MPANs/MSIDs	Name	Residual Charging Band	Import Super Red unit charge (p/kWh)	Import fixed charge (p/day)	Import capacity charge (p/kVA/day)	Import exceeded capacity charge (p/kVA/day)	Export Super Red unit charge (p/kWh)	Export fixed charge (p/day)	Export capacity charge (p/kVA/day)	Export exceeded capacity charge (p/kVA/day)	
272	272	1170002109778	276	276	1170002109796	Gonerby Moor PV			5.84	1.15	1.15			1166.83	0.05	0.05
273	273	117002016764	277	277	117000299350	Longmoor Solar, Castle View Road			6.25	1.15	1.15			891.65	0.05	0.05
281	281	1170000946973 1170000946982				Jaugar Land Rover Whitley	4		59913.57	1.23	1.23					
282	282	1170001293394 1170001293400				Long Itchington Northern Portal	2	1.909	26925.80	1.89	1.89					
292	292	1170000480680	367	367	1170000480699	Yew Tree Farm PV		1.001	3.00	2.14	2.14			360.58	0.05	0.05
293	293	1170000487142	368	368	1170000487151	Cobb Farm Egmanton PV			5.06	2.48	2.48			1012.91	0.05	0.05
294	294	1170000530950	369	369	1170000530969	Kelmarsh Wind Farm		1.833	237.28	0.70	0.70			11674.35	0.05	0.05
296	296	1170000549231	371	371	1170000549240	Copley Farm PV Claypole			18.51	0.85	0.85			1576.87	0.05	0.05
297	297	1170000549269	372	372	1170000549278	Greatmoor EFW Calvert		1.004	1070.84	0.67	0.67	-1.031		8826.30	0.05	0.05
298	298	1170000559851	373	373	1170000559860	Lodge Farm (Calow) PV			4.39	1.79	1.79			395.12	0.05	0.05
299	299	1170000569840	374	374	1170000569850	Arkwright Solar PV			163.00	1.57	1.57			1629.98	0.05	0.05
300	300	1170000579245				Langar PV Imports			2.46	2.79	2.79					
302	302	1170000579919	377	377	1170000579928	Averill Farm PV			25.90	1.98	1.98			2309.17	0.05	0.05
303	303	1170000582692	378	378	1170000582708	Marchington Solar PV		0.067	2.58	2.51	2.51			440.56	0.05	0.05
304	304	1170000586492	379	379	1170000586508 1170000591702	West End Fm Treswell PV			4.07	1.44	1.44			501.94	0.05	0.05
305	305	1170000586605	380	380	1170000586614	Fields Farm Southam PV		1.792	4.59	1.77	1.77			403.90	0.05	0.05
306	306	1170000587273	381	381	1170000587282	Canopus Farm PV		6.499	5.07	0.90	0.90			468.86	0.05	0.05
307	307	1170000594261	382	382	1170000594270	Lindridge Farm PV		0.538	4.53	2.10	2.10			359.05	0.05	0.05
308	308	1170000594164	383	383	1170000594173	Thornborough Grnds PV		0.959	25.30	2.33	2.33			948.60	0.05	0.05
309	309	1170000592228	384	384	1170000592237	Wymeswold Narrow Lane PV			18.36	2.06	2.06			756.27	0.05	0.05
310	310	1170000598034	385	385	1170000598043	Manor Farm Horton PV		1.562	7.51	1.16	1.16			1501.90	0.05	0.05
311	311	1170000598196	386	386	1170000598201	Handley Park Farm PV		0.945	15.77	0.83	0.83			788.59	0.05	0.05
312	312	1170000601982	387	387	1170000601991	Shelton Lodge PV			36.44	0.90	0.90			3110.34	0.05	0.05
313	313	1170000604023	388	388	1170000604050	Brafield on the Green PV		1.479	91.46	0.83	0.83			3429.87	0.05	0.05
314	314	1170000605221	389	389	1170000605240	Sywell PV		1.069	43.88	2.91	2.91			4388.46	0.05	0.05
315	315	1170000614990	390	390	1170000615007	Holtwood Farm PV		0.057	22.64	2.15	2.15			1226.29	0.05	0.05
316	316	1170000614972	391	391	1170000614981	Drakelow Farm PV			9.95	2.94	2.94			995.19	0.05	0.05
317	317	1170000619916	392	392	1170000619925	Stragglethorpe Rd PV		1.030	34.46	2.23	2.23			3446.34	0.05	0.05
318	318	1170000627448	393	393	1170000627457	Oxcroft Solar Farm PV			730.50	0.69	0.69			3867.37	0.05	0.05
319	319	1170000626816	394	394	1170000626825	Derby Waste Sinfm EFW		3.449	1332.94	1.50	1.50	-4.680		2631.06	0.05	0.05
320	320	1170000625681	395	395	1170000625690	Littlewood Farm PV			3.17	1.64	1.64			401.47	0.05	0.05
321	321	1170000630413	396	396	1170000630422	Twin Yards Farm PV		1.550	25.74	1.00	1.00			2557.53	0.05	0.05
322	322	1170000629640	397	397	1170000629659	Tower Hayes Farm PV		0.591	11.34	1.99	1.99			997.65	0.05	0.05
323	323	1170000632606	398	398	1170000632615	The Breck Solar PV			34.65	0.87	0.87			2021.36	0.05	0.05
324	324	1170000631426	399	399	1170000631435	Barnby Moor Retford PV			82.33	1.10	1.10			3285.03	0.05	0.05
325	325	1170000636503	400	400	1170000636512	Lincoln Farm PV			7.90	0.93	0.93			868.93	0.05	0.05
326	326	1170000652009	401	401	1170000652018	Drakelow Renewable BIO			69.77	2.56	2.56	-2.610		293.81	0.05	0.05
328	328	1170000641470	403	403	1170000641489	Mill Fm Gt Ponton PV			33.32	0.96	0.96			2999.14	0.05	0.05
329	329	1170000954316				Welland Bio Power Imp	1	1.576	1133.45	0.84	0.84					
330	330	1170000671093	405	405	1170000671109	Deepdale Solar Fm PV			11.10	1.10	1.10			865.73	0.05	0.05
331	331	1170000671118	406	406	1170000671127	Burton Wolds South WF		1.550	2.06	2.37	2.37			361.52	0.05	0.05
334	334	1170000677271	409	409	1170000677280	Gawcott Flds PV Commercial		0.848	2.44	0.92	0.92			193.35	0.05	0.05
335	335	1170000677290	410	410	1170000677305	Gawcott Flds PV Community		0.477	2.44	0.83	0.83			221.67	0.05	0.05
337	337	1170000722748	412	412	1170000722757	John Brookes Sawmill BIO			1141.58	1.99	1.99	-1.764		7264.58	0.05	0.05
338	338	1170000723991	413	413	1170000724008	Hawton Wind Farm WF			43.46	0.70	0.70			2172.94	0.05	0.05
340	340	1170000727221	415	415	1170000727230 1170000730001	Garnham Close STOR			23.92	1.25	1.25	-0.534		1435.44	0.05	0.05
341	341	1170000733935	435	435	1170000893898	RAF Cranwell High G	1		1644.98	0.84	0.84			2.49	0.05	0.05
343	343	1170000751465	418	418	1170000751474	Hermitage Lane STOR			4.49	2.38	2.38	-0.945		359.09	0.05	0.05
344	344	1170000759678	419	419	1170000759687	Fosse Way Radford Sem PV		1.847	28.80	1.52	1.52			4799.27	0.05	0.05
345	345	1170000761640	420	420	1170000761659	Meadow Fm Thorpe Lang PV		1.548	12.21	0.94	0.94			952.76	0.05	0.05
346	346	1170000768557	421	421	1170000768566	Olney Hyde Farm PV			82.51	0.70	0.70			3712.96	0.05	0.05
347	347	1170000772456	422	422	1170000772465	Dayfields Farm PV		0.058	10.96	1.79	1.79			2011.43	0.05	0.05
348	348	1170000775712	423	423	1170000775721	Bolsovermoor Quarry PV			9.37	0.90	0.90			926.28	0.05	0.05
349	349	1170000775340	424	424	1170000775350	Bilthorpe PV			89.65	0.81	0.81			4482.55	0.05	0.05
351	351	1170000783305	426	426	1170000783314	Sutton Bonnington PV			7.79	2.12	2.12			700.95	0.05	0.05
353	353	1170000790241	428	428	1170000790250	Green Lane Marchington PV		0.053	10.67	2.32	2.32			708.34	0.05	0.05
354	354	1170000807142	429	429	1170000807151	Baddesley Park PV		1.837	30.10	0.70	0.70			573.48	0.05	0.05
355	355	1170000807160	430	430	1170000807170	Baddesley Pk Biomass		1.894	491.97	0.72	0.72	-1.899		2310.64	0.05	0.05
356	356	1170000858990	431	431	1170000859007	Taylor Lane 33kV STOR			7.06	1.80	1.80	-5.150		356.52	0.05	0.05
357	357	1170000871315	432	432	1170000871324	Hill Farm ESS		0.294	1668.31	1.77	1.77	-2.161		2085.38	0.05	0.05
358	358	1170000871120	433	433	1170000871139	Leverton ESS			181.79	0.73	0.73			181.79	0.05	0.05
359	359	1170000884086	434	434	1170000884095	Nottingham Rd STOR			28.10	1.13	1.13			2248.12	0.05	0.05
361	361	1170000895724	436	436	1170000895733	Breach Farm ESS			2738.40	2.58	2.58	-2.610		2738.40	0.05	0.05
362	362	1170000902629	437	437	1170000902638	Boston Biomass Gen AD		6.512	51.94	0.78	0.78	-6.675		311.64	0.05	0.05
363	363	1170000928965	438	438	1170000928974	Twin Oaks Diesel STOR		0.068	2.83	2.05	2.05	-1.961		562.76	0.05	0.05
364	364	1170000939911	439	439	1170000939920	Colwick Private Rd STOR		0.868	4.82	2.08	2.08	-3.212		308.61	0.05	0.05

Note: The list of MPANs / MSIDs provided may be incomplete; the DNO reserves the right to apply the listed charges to any other MPANs / MSIDs associated with the site.

Annex 2 - Schedule of Charges for use of the Distribution System by Designated EHV Properties (including LDNOs with Designated EHV Properties/end-users).

Import Unique Identifier	LLFC/DUoS Tariff Id	Import MPANs/MSIDs	Export Unique Identifier	LLFC/DUoS Tariff Id	Export MPANs/MSIDs	Name	Residual Charging Band	Import Super Red unit charge (p/kWh)	Import fixed charge (p/day)	Import capacity charge (p/kVA/day)	Import exceeded capacity charge (p/kVA/day)	Export Super Red unit charge (p/kWh)	Export fixed charge (p/day)	Export capacity charge (p/kVA/day)	Export exceeded capacity charge (p/kVA/day)
365	365	1170000953544	440	440	1170000953553	Mill Fm Caythorpe ESS			270.33	0.68	0.68		270.33	0.05	0.05
784	784	1170000447716	705	705	1170000447725	Prestop Park Farm PV			1.28	2.65	2.65		362.30	0.05	0.05
785	785	1170000447479	706	706	1170000447488	Smith Hall Farm Solar			17.01	1.13	1.13		680.49	0.05	0.05
786	786	1170000447497	707	707	1170000447502	Park Farm Solar Ashby		0.492	80.54	1.93	1.93		4026.85	0.05	0.05
787	787	1170000451420	708	708	1170000451439	Aston House Solar Farm			15.68	1.64	1.64		2577.96	0.05	0.05
789	789	1170000457617	710	710	1170000457626	Elms Farm Solar Farm		1.711	2.26	2.03	2.03		407.51	0.05	0.05
790	790	1170000458550	711	711	1170000458569	Morton Solar Farm			2.60	1.72	1.72		599.58	0.05	0.05
791	791	1170000463150	712	712	1170000463160	Glebe Farm Podington PV		1.225	108.96	2.98	2.98		7082.09	0.05	0.05
792	792	1170000468015	713	713	1170000468024	Rolleston Park Solar			68.53	1.25	1.25		1384.42	0.05	0.05
793	793	1170000467572	714	714	1170000467581	Nowhere Farm PV		6.520	7.93	1.55	1.55		1718.32	0.05	0.05
795	795	1170000467509	716	716	1170000467527	Chelveston Renewable PV	1	1.566	1110.57	3.55	3.55	-3.688	4067.12	0.05	0.05
796	796	1170000474082	717	717	1170000474107	Horsemoor Drove Solar		6.342	22.07	3.00	3.00		3677.62	0.05	0.05
797	797	1170000474436	718	718	1170000474445	Decoy Farm Crowland PV		4.329	8.46	2.53	2.53		355.13	0.05	0.05
799	799	1170000473393	720	720	1170000474409	Decoy Farm Crowland AD			22.72	2.46	2.46	-9.150	340.86	0.05	0.05
824	824	1100039676983 1100039676992	600	600		Network Rail Bytham	2	6.504	33727.46	1.51	1.51				
825	825	1100039676690 1100039676706	601	601	1100050641453	Network Rail Grantham	2		42260.96	1.37	1.37		4253.21	0.05	0.05
826	826	1100050106527	602	602	1100050106971	Network Rail Staythorpe	2		7714.55	0.84	0.84		33.66	0.05	0.05
827	827	1100039676965 1100039676974	603	603	1100050314637 1100770450945	Network Rail Retford	2		22767.10	2.18	2.18		1947.15	0.05	0.05
831	831	1100039602086				Jaquar Cars	2		1.906	2.89	2.89				
832	832	1100039600655				Alstom Frankton	2	1.173	11297.80	1.06	1.06				
833	833	1170000817007 1170000817025	684	684	1170000817034	University of Warwick	2		7475.47	2.32	2.32		85.53	0.05	0.05
834	834	1100039603131				Dunlop Factory	2	2.083	7545.19	1.95	1.95				
835	835	1160001030330 1160001139525	416	416	1170000730127	Bombardier	1	3.718	4094.35	2.11	2.11		4077.76	0.05	0.05
836	836	1100039600015				Corby Steel Works	4	1.826	39625.44	1.36	1.36				
839	839	1100039667570	496	496	1170001662513	GEC Alstom	2	0.620	9795.50	3.38	3.38		113.65	0.05	0.05
840	840	1100050311185 1100050311194				St Gobain	1	3.488	1463.98	3.05	3.05				
841	841	1100039603559				Toyota	4	0.070	110663.90	3.10	3.10				
845	845	1160001236210	635	635	1160001236229	Petsoe Wind Farm		0.035	155.45	1.86	1.86		8704.93	0.05	0.05
846	846	1100039600042	700	700	1170000330966	Castle Cement	4	7.242	45108.54	1.78	1.78		215.81	0.05	0.05
847	847	1100050013290 1100050314594				Rugby Cement	4	0.273	41808.02	2.72	2.72				
848	848	1100039667446	632	632	1100050222604	Coventry & Solihull Waste		0.268	412.89	2.04	2.04	-2.164	825.78	0.05	0.05
849	849	1170000014575	611	611	1170000014584	Bentnick Generation			31.89	2.12	2.12	-2.032	765.38	0.05	0.05
852	852	1100050780529	640	640	1160001479030	Asfordby 132kV			20524.60	0.78	0.78		50890.80	0.05	0.05
853	853	1100770095532	612	612	1100770095541 1130000014463	Calvert Landfill EFW		1.004	42.26	2.12	2.12	-0.361	129.30	0.05	0.05
854	854	1100770104666	613	613	1100770104693	Weldon Landfill			63.51	0.99	0.99				
855	855	1100770099918	614	614	1100770099927	Goosy Lodge Power	1	1.221	1155.85	2.77	2.77				
856	856	1160000116234 1160000135185				BAR Honda	2	1.025	7748.22	1.43	1.43				
857	857	1160000226327	615	615	1160000226336	Burton Wolds Wind Farm	1	1.566	1110.72	2.21	2.21				
858	858	1100039606090	616	616		Network Rail Bretton	2	6.504	7748.22	1.51	1.51				
859	859	1100770683368	617	617	1100770683377	Bambers Farm Wind Farm			3.23	0.71	0.71				
860	860	1160000213601	618	618	1160000213610	Vine House Wind Farm		7.676	103.98	2.53	2.53				
861	861	1160000154150	619	619	1160000154160	Red House Wind Farm		6.326	24.11	2.52	2.52				
862	862	1160000186551	620	620	1160000186560	Daneshill Landfill			51.65	1.08	1.08				
863	863	1130000053950				Corby Power demand		1.767	885.81	1.33	1.33				
864	864	1160000745093	621	621	1130000079897 1160000745066	Newton Longville Landfill		1.004	24.64	1.26	1.26	-1.286	1807.49	0.05	0.05
865	865	1160000909822	622	622	1160000909840	Hollies Wind Farm			2.96	0.82	0.82		414.51	0.05	0.05
866	866	1130000044004	629	629	1130000044013	Lynn Wind Farm			233.73	0.73	0.73				
867	867	1130000044022	630	630	1130000044031	Inner Dowsing Wind Farm			233.73	0.73	0.73				
868	868	1160000999037	631	631	1160000999046	Bicker Fen Wind Farm		6.216	54.92	0.77	0.77		4080.06	0.05	0.05
869	869	1100039667455	634	634	1100050222473	London Road Heat Station			144.88	0.91	0.91	-0.333	379.09	0.05	0.05
870	870	1160001253330	633	633	1160001253321	Lindhurst Wind Farm			32.85	1.59	1.59		6242.05	0.05	0.05
873	873	1100039600317				Rolls Royce Coventry	1	1.837	1276.77	1.85	1.85				
875	875	1100039667989				Caterpillar	2	2.192	13778.74	1.63	1.63				
876	876	1100039602323				Santander Carlton Park	1	4.198	1276.77	1.40	1.40				
877	877	1100039600308				Brush	2	1.612	7561.00	1.25	1.25				
878	878	1170000352384 1170000352409				JCB	3	2.027	17850.29	2.73	2.73				
879	879	1100039606197				Cast Bar UK	2	1.312	13344.01	1.56	1.56				
880	880	1100039668227				Bretby GP	1	0.641	1276.77	4.44	4.44				
881	881	1100039601028				Holwell Works	2	1.807	7561.00	1.49	1.49				

Note: The list of MPANs / MSIDs provided may be incomplete; the DNO reserves the right to apply the listed charges to any other MPANs / MSIDs associated with the site.

Annex 2 - Schedule of Charges for use of the Distribution System by Designated EHV Properties (including LDNOs with Designated EHV Properties/end-users).

Import Unique Identifier	LLFC/DUoS Tariff Id	Import MPANs/MSIDs	Export Unique Identifier	LLFC/DUoS Tariff Id	Export MPANs/MSIDs	Name	Residual Charging Band	Import Super Red unit charge (p/kWh)	Import fixed charge (p/day)	Import capacity charge (p/kVA/day)	Import exceeded capacity charge (p/kVA/day)	Export Super Red unit charge (p/kWh)	Export fixed charge (p/day)	Export capacity charge (p/kVA/day)	Export exceeded capacity charge (p/kVA/day)
882	882	1100039601019				Pedigree Petfoods	2	1.648	7561.00	2.26	2.26				
883	883	1100039601339				Alstom Wolverton	1	2.639	1276.77	2.98	2.98				
884	884	1100039600567				Colworth Laboratory	1	4.487	1276.77	3.65	3.65				
885	885	1100039601923 1100039601932	636	636	1100050222464	Boots Thane Road	2	0.399	10099.72	0.86	0.86	-0.333	4163.14	0.05	0.05
886	886	1100039606294	608	608	1100050222446	QMC	2	0.315	7456.06	1.53	1.53				
887	887	1100039604358				British Gypsum	2	1.893	11509.80	2.86	2.86				
888	888	1100039605139 1100039605148				Melbourne STW	2	6.898	7561.00	2.78	2.78				
889	889	1100039601116 1100050484817				Whetstone	1	4.381	1276.77	3.28	3.28				
890	890	1100039603647 1100039603656	New Export 120	New Export 120	New Export 120	Holbrook Works	1		1103.36	0.81	0.81		173.40	0.05	0.05
891	891	1100050674421 1100050677575				Astrazeneca Charnwood	2	1.496	13354.93	2.34	2.34				
892	892	116000002893 1160000065918	637	637	1160001059394	B&Q Manton	1	0.626	1175.98	1.28	1.28		100.78	0.05	0.05
893	893	1160001007100 1160001122717				Transco Churchover	3	0.417	31303.85	1.55	1.55				
894	894	1100039600033				Alstom Rugby	2	1.141	11012.66	0.98	0.98				
896	896	1160001363390	638	638	1160001363380	Low Spinney Wind Farm			218.41	0.81	0.81	-0.423	7163.82	0.05	0.05
897	897	1160001457392	639	639	1160001457408	Swinford Wind Farm	1	0.191	1236.16	0.84	0.84		6222.54	0.05	0.05
898	898	1170000117971	641	641	1170000117980	Yelvertoft Wind Farm			82.37	1.96	1.96		4502.67	0.05	0.05
899	899					Maxwell House Data Centre	4	1.904	46732.81	1.25	1.25				
902	902	1170000199789	650	650	1170000199798	Burton Wolds Wind Farm phase 2			1.169	99.81	2.25		7186.41	0.05	0.05
903	903	1170000137579	651	651	1170000137588	Shacks Barn PV			0.832	13.67	0.91		683.52	0.05	0.05
904	904	1160001324665				Hatton Gas Compressor	4		40159.76	1.20	1.20				
905	905	1170000112477	642	642	1170000112486	North Hykeham EFW			58.27	0.68	0.68		305.32	0.05	0.05
906	906	1160001415347	643	643	1160001415356	Sleaford Renewable Energy Plant			5712.49	5.54	5.54	-6.675	85687.31	0.05	0.05
907	907	1170000059210	644	644	1170000059186	Bilsthorpe Wind Farm			22.82	0.70	0.70		481.91	0.05	0.05
908	908	1170000117944	645	645	1170000117953	Old Dalby Lodge Wind Farm			22.59	1.94	1.94		661.77	0.05	0.05
909	909	1170000146670	652	652	1170000146680	Willoughby STOR generation			290.69	2.05	2.05	-1.764	290.69	0.05	0.05
910	910	1130000085288				Rolls Royce AB&E 33kV	4	3.728	39625.44	2.50	2.50				
911	911	1170000110600	647	647	1170000110610	The Grange Wind Farm			5.617	50.64	2.68		7089.85	0.05	0.05
912	912	1170000111881	648	648	1170000111890	Clay Lake STOR	1	6.547	1282.19	2.80	2.80	-9.150	181.79	0.05	0.05
913	913	1170000113443	649	649	1170000113452	Balderton STOR	1		1104.00	1.01	1.01		359.98	0.05	0.05
914	914	1170000172954	653	653	1170000172963	Wymeswold Solar Park			12.71	3.50	3.50		6353.29	0.05	0.05
915	915	1170000722696	654	654	1170000722701	French Farm Wind Farm			6.630	137.71	2.58		7712.00	0.05	0.05
916	916	1170000398486	646	646	1170000398495	Libourne Wind Farm	1	0.006	1198.43	1.34	1.34		7842.36	0.05	0.05
917	917	1170000154538	655	655	1170000154547	Chelveston Renewable	1	0.923	1111.22	2.22	2.22		352.76	0.05	0.05
918	918	1170000174827	656	656	1170000174836	Beachampton Solar Farm			0.896	13.18	2.31		395.31	0.05	0.05
919	919	1170000182961	657	657	1170000182970	Croft End Solar Farm			3.69	1.43	1.43		921.90	0.05	0.05
920	920	1170000233552	658	658	1170000233570	M1 Wind farm			1.025	9.49	1.04		354.09	0.05	0.05
922	922	1170000280108	660	660	1170000280117	Low Farm Anaerobic Dig			364.48	0.97	0.97	-0.427	1822.41	0.05	0.05
923	923	1170000280960	691	691	1170000280970	Turweston Airfield Solar Farm			1.003	3.63	1.43		937.69	0.05	0.05
924	924	1170000281175	692	692	1170000281193	Burton Pedwardine Solar			8.67	1.13	1.13		650.03	0.05	0.05
925	925	1170000306909	693	693	1170000306918	Little Morton Farm Solar			6.30	1.51	1.51		756.33	0.05	0.05
930	930	1170000073288				Rockingham	3	2.364	32194.79	1.32	1.32				
931	931	1170000086612 1170000091783 1170000091792 1170000091808				Santander Carlton Park 132/11	3	0.644	43775.62	2.21	2.21				
932	932	1160001446600				Delphi Diesel	1	3.687	1276.77	1.35	1.35				
940	940	1170000306884	694	694	1170000306893	Lodge Farm Solar Park			24.90	0.86	0.86		1244.90	0.05	0.05
941	941	1170000313162	695	695	1170000313171	Ermine Farm PV			26.14	1.22	1.22		3528.56	0.05	0.05
942	942	1170000319234	696	696	1170000319243	Ridge Solar Park			1.476	3.60	3.13		359.98	0.05	0.05
943	943	1170000325283	697	697	1170000325292	Winwick Wind Farm			74.90	1.93	1.93		3350.20	0.05	0.05
944	944	1170000325308	698	698	1170000325317	Watford Lodge Wind Farm			0.025	113.80	1.97		6665.37	0.05	0.05
945	945	1170000326454	699	699	1170000326463	Leverton Solar Park			6.173	2.80	1.30		419.81	0.05	0.05
946	946	1170000337508	701	701	1170000337517	Burton Pedwardine Phase 2			23.64	1.41	1.41		827.52	0.05	0.05
947	947	1170000369068	702	702	1170000369086	Hartwell Solar Farm			1.554	36.30	1.92		5444.30	0.05	0.05
948	948	1170000369100	703	703	1170000369110	Eakley Lanes Solar North			1.565	7.24	0.89		361.92	0.05	0.05
949	949	1170000369129	704	704	1170000369147	Eakley Lanes Solar South			1.584	78.79	0.72	-1.649	492.43	0.05	0.05
950	950	1170000388743	661	661	1170000388752	Welbeck Colliery PV			6.05	1.05	1.05		580.83	0.05	0.05
951	951	1170000394960	662	662	1170000394979	Newton Road PV			1.468	40.88	1.74		6115.75	0.05	0.05
952	952	1170000395954	663	663	1170000395963	New Albion Wind Farm			1.409	68.75	2.05		6149.69	0.05	0.05
953	953	1170000400772	664	664	1170000400781	Moat Farm PV			16.09	1.23	1.23		858.17	0.05	0.05
954	954	1170000407875	665	665	1170000407884	Bilsthorpe Solar			15.12	2.52	2.52		1451.38	0.05	0.05
955	955	1170000409696	666	666	1170000409701	Hall Farm Site PV 1			0.474	9.71	1.79		172.10	0.05	0.05
956	956	1170000415946	667	667	1170000415955	Gautney Solar Park			1.566	1.25	3.98		450.14	0.05	0.05

Note: The list of MPANs / MSIDs provided may be incomplete; the DNO reserves the right to apply the listed charges to any other MPANs / MSIDs associated with the site.

Annex 2 - Schedule of Charges for use of the Distribution System by Designated EHV Properties (including LDNOs with Designated EHV Properties/end-users).

Import Unique Identifier	LLFC/DUoS Tariff Id	Import MPANs/MSIDs	Export Unique Identifier	LLFC/DUoS Tariff Id	Export MPANs/MSIDs	Name	Residual Charging Band	Import Super Red unit charge (p/kWh)	Import fixed charge (p/day)	Import capacity charge (p/kVA/day)	Import exceeded capacity charge (p/kVA/day)	Export Super Red unit charge (p/kWh)	Export fixed charge (p/day)	Export capacity charge (p/kVA/day)	Export exceeded capacity charge (p/kVA/day)
957	957	1170000413692	668	668	1170000413708	Fiskerton Solar Farm			1.21	1.36	1.36		362.37	0.05	0.05
958	958	1170000424904	669	669	1170000424913	Mount Mill Solar Park		0.961	12.30	2.67	2.67		1255.04	0.05	0.05
959	959	1170000427170	670	670	1170000427180	Podington Airfield WF		1.432	189.38	2.82	2.82		8522.16	0.05	0.05
960	960	1170000428528	671	671	1170000428537	Branston South PV Farm			6.32	1.47	1.47		1897.00	0.05	0.05
961	961	1170000430182	672	672	1170000430191	Eakring Solar Farm			2.96	1.31	1.31		592.86	0.05	0.05
962	962	1170000439877	673	673	1170000439886	Ragdale PV Solar Park			188.75	2.00	2.00		3068.26	0.05	0.05
963	963	1170000438312	674	674	1170000438321	Thoresby Solar Farm			11.20	1.04	1.04		1119.69	0.05	0.05
964	964	1170000437211	675	675	1170000437220	Welbeck Solar Farm			18.81	1.21	1.21		2474.74	0.05	0.05
965	965	1170000444690	676	676	1170000444681	Atherstone Solar Farm		1.838	3.94	2.47	2.47		1103.59	0.05	0.05
966	966	1170000445115	677	677	1170000445133	Babworth Estate PV Farm			4.42	1.54	1.54		707.00	0.05	0.05
968	968	1170000446615	679	679	1170000446606	Homestead Farm Solar Park		0.732	8.39	2.52	2.52		1258.95	0.05	0.05
969	969	1170000447033	680	680	1170000447042	Grange Solar Farm			3.53	1.54	1.54		378.02	0.05	0.05
2034	2034	2034	2034	2034	2034	Grendon/Huntingdon Interconnector	4		39261.85	2.66	2.66				
7015	7015	7015	7015	7015	7015	Corby Power generation						-1.612	1420.14	0.05	0.05
7315	7315	7315	7316	7316	7316	Redfield Road 1 STOR			71.27	0.95	0.95	-0.333	1860.28	0.05	0.05
7324	7324	7324	7325	7325	7325	Trafalgar Pk Gas STOR		3.449	76.58	1.49	1.49	-4.680	1776.70	0.05	0.05
7326	7326	7326	7327	7327	7327	Redfield Road B STOR			439.07	0.91	0.91	-0.333	2182.80	0.05	0.05
7443	7443	7443	7444	7444	7444	Derby Power Station			8.70	3.26	3.26				
			370	370	1170000535113	Pebble Hall Farm AD						-1.612	165.26	0.05	0.05
			375	375	1170000579254	Langar Commercial PV						-1.612	165.26	0.05	0.05
			404	404	1170000645118	Weland Bio Power Exp						-1.612	165.26	0.05	0.05
			417	417	1170000740808	Langar PV Community							164.26	0.05	0.05
New Import 1	New Import 1	New Import 1	New Export 1	New Export 1	New Export 1	A019 Cotmoor			448.95	0.74	0.74		448.95	0.05	0.05
New Import 2	New Import 2	New Import 2	New Export 2	New Export 2	New Export 2	Althorp Estate		1.497	179.07	1.85	1.85		14683.73	0.05	0.05
New Import 3	New Import 3	New Import 3	New Export 3	New Export 3	New Export 3	Asfordby B STOR			47982.76	1.12	1.12		47982.76	0.05	0.05
New Import 4	New Import 4	New Import 4	New Export 4	New Export 4	New Export 4	Aston Flamville, Hinckley		0.240	18.25	2.15	2.15		4056.28	0.05	0.05
New Import 5	New Import 5	New Import 5	New Export 5	New Export 5	New Export 5	Averham Leazes			3442.62	0.94	0.94		3408.47	0.05	0.05
New Import 6	New Import 6	New Import 6	New Export 6	New Export 6	New Export 6	Barn Farm			1581.21	0.74	0.74		1377.41	0.05	0.05
New Import 7	New Import 7	New Import 7	New Export 7	New Export 7	New Export 7	Belvoir PV			4.48	1.15	1.15		893.43	0.05	0.05
New Import 8	New Import 8	New Import 8	New Export 8	New Export 8	New Export 8	Brackley Solar Farm, Blackpits Recycling Centre		0.963	10.51	1.22	1.22		4202.43	0.05	0.05
New Import 9	New Import 9	New Import 9	New Export 9	New Export 9	New Export 9	Breach Farm 132			609.23	0.71	0.71		609.23	0.05	0.05
New Import 10	New Import 10	New Import 10	New Export 10	New Export 10	New Export 10	Brecks Farm, Brick Yard Road			17.37	2.16	2.16		5991.93	0.05	0.05
New Import 11	New Import 11	New Import 11	New Export 11	New Export 11	New Export 11	Bridge Street ESS & PV			38.68	1.86	1.86	-1.234	324.90	0.05	0.05
New Import 12	New Import 12	New Import 12	New Export 12	New Export 12	New Export 12	Brigstock			5.24	2.30	2.30		892.67	0.05	0.05
New Import 13	New Import 13	New Import 13	New Export 13	New Export 13	New Export 13	Bulwell Data Centre IDNO	3	2.831	16270.12	1.26	1.26				
New Import 14	New Import 14	New Import 14	New Export 14	New Export 14	New Export 14	Burnt Thorns Farm, Kilsby Lane		0.240	8.36	1.84	1.84		355.22	0.05	0.05
New Import 15	New Import 15	New Import 15	New Export 15	New Export 15	New Export 15	By Pass Farm, Great North Road			8.19	1.15	1.15		889.71	0.05	0.05
New Import 16	New Import 16	New Import 16	New Export 16	New Export 16	New Export 16	Canal Solar Farm, Elms Farm		0.245	146.14	1.91	1.91	-1.571	730.69	0.05	0.05
New Import 17	New Import 17	New Import 17	New Export 17	New Export 17	New Export 17	Castle Gresley IDNO			438.41	1.72	1.72	-1.773	438.41	0.05	0.05
New Import 18	New Import 18	New Import 18	New Export 18	New Export 18	New Export 18	Caudwell Farm			45.57	5.91	5.91		9095.22	0.05	0.05
New Import 19	New Import 19	New Import 19	New Export 19	New Export 19	New Export 19	Chelveston Renewable Energy Park	3	1.562	19707.48	2.19	2.19	-3.688	2033.56	0.05	0.05
New Import 20	New Import 20	New Import 20	New Export 20	New Export 20	New Export 20	Cogenhoe BESS IDNO			448.95	1.56	1.56	-1.612	448.95	0.05	0.05
New Import 21	New Import 21	New Import 21	New Export 21	New Export 21	New Export 21	Corby Power Station	4		40681.99	1.32	1.32				
New Import 22	New Import 22	New Import 22	New Export 22	New Export 22	New Export 22	Corley Solar Farm, Breach Oak Lane		0.240	16.55	3.22	3.22		4966.25	0.05	0.05
New Import 23	New Import 23	New Import 23	New Export 23	New Export 23	New Export 23	Costock Solar Farm			6.25	1.15	1.15		891.65	0.05	0.05
New Import 24	New Import 24	New Import 24	New Export 24	New Export 24	New Export 24	Cranford Hall			2185.88	2.11	2.11	-1.612	2185.88	0.05	0.05
New Import 25	New Import 25	New Import 25	New Export 25	New Export 25	New Export 25	Drakelow Power Station 4			5028.33	0.57	0.57		5028.33	0.05	0.05
New Import 26	New Import 26	New Import 26	New Export 26	New Export 26	New Export 26	Dunsford Road (Alfreton PV)			11.45	1.60	1.60		1138.68	0.05	0.05
New Import 27	New Import 27	New Import 27	New Export 27	New Export 27	New Export 27	East Midlands Gateway Ext IDNO	4		35699.25	1.20	1.20				
New Import 28	New Import 28	New Import 28	New Export 28	New Export 28	New Export 28	East Sulgrave			140.44	1.88	1.88		36476.60	0.05	0.05
New Import 29	New Import 29	New Import 29	New Export 29	New Export 29	New Export 29	East Wood End, Milton Keynes			4.07	2.35	2.35		1809.71	0.05	0.05
New Import 30	New Import 30	New Import 30	New Export 30	New Export 30	New Export 30	Eastcroft FFW			1084.41	0.94	0.94	-0.333	3320.99	0.05	0.05
New Import 31	New Import 31	New Import 31	New Export 31	New Export 31	New Export 31	Eden Meadows ESS & PV			448.95	1.15	1.15		448.95	0.05	0.05
New Import 32	New Import 32	New Import 32	New Export 32	New Export 32	New Export 32	EMIP Etwal IDNO	4	3.641	35699.25	1.95	1.95				
New Import 33	New Import 33	New Import 33	New Export 33	New Export 33	New Export 33	Exton Estate Solar Farm, Barnsdale Avenue			69.40	2.30	2.30		17314.26	0.05	0.05
New Import 34	New Import 34	New Import 34	New Export 34	New Export 34	New Export 34	Fairham Business Park Unit 4 IDNO				0.71	0.71		897.91	0.05	0.05
New Import 35	New Import 35	New Import 35	New Export 35	New Export 35	New Export 35	Fiskerton Solar Farm, Reepham Road			21.39	1.22	1.22		342.19	0.05	0.05
New Import 36	New Import 36	New Import 36	New Export 36	New Export 36	New Export 36	Garendon and Broadbrook IDNO	4		35699.25	2.22	2.22				
New Import 37	New Import 37	New Import 37	New Export 37	New Export 37	New Export 37	Glaston Road, Oakham		1.497	28.10	1.22	1.22		11241.97	0.05	0.05
New Import 38	New Import 38	New Import 38	New Export 38	New Export 38	New Export 38	Grantham Solar Farm			4287.76	0.71	0.71		4287.76	0.05	0.05
New Import 39	New Import 39	New Import 39	New Export 39	New Export 39	New Export 39	Grendon BESS Farm IDNO			8920.80	1.49	1.49	-1.612	8920.80	0.05	0.05
New Import 40	New Import 40	New Import 40	New Export 40	New Export 40	New Export 40	Grendon Lakes			448.95	2.26	2.26	-1.612	448.95	0.05	0.05
New Import 41	New Import 41	New Import 41	New Export 41	New Export 41	New Export 41	Harrington Road 20MVA Demand	3	1.649	18037.51	2.52	2.52				
New Import 42	New Import 42	New Import 42	New Export 42	New Export 42	New Export 42	Hasland Solar Farm			15.19	1.05	1.05		7751.78	0.05	0.05
New Import 43	New Import 43	New Import 43	New Export 43	New Export 43	New Export 43	Hawkins Lane, Burton on Trent			823.35	1.16	1.16	-0.625	823.35	0.05	0.05
New Import 44	New Import 44	New Import 44	New Export 44	New Export 44	New Export 44	Hinckley Rail freight terminal	3	0.263	18037.51	2.23	2.23				
New Import 45	New Import 45	New Import 45	New Export 45	New Export 45	New Export 45	Hinckley Road, Kirby Muxloe IDNO	2	0.649	7009.75	1.91	1.91				
New Import 46	New Import 46	New Import 46	New Export 46	New Export 46	New Export 46	Hydes Lane		0.250	448.95	1.64	1.64	-1.571	448.95	0.05	0.05

Note: The list of MPANs / MSIDs provided may be incomplete; the DNO reserves the right to apply the listed charges to any other MPANs / MSIDs associated with the site.

Annex 2 - Schedule of Charges for use of the Distribution System by Designated EHV Properties (including LDNOs with Designated EHV Properties/end-users).

Import Unique Identifier	LLFC/DUoS Tariff Id	Import MPANs/MSIDs	Export Unique Identifier	LLFC/DUoS Tariff Id	Export MPANs/MSIDs	Name	Residual Charging Band	Import Super Red unit charge (p/kWh)	Import fixed charge (p/day)	Import capacity charge (p/kVA/day)	Import exceeded capacity charge (p/kVA/day)	Export Super Red unit charge (p/kWh)	Export fixed charge (p/day)	Export capacity charge (p/kVA/day)	Export exceeded capacity charge (p/kVA/day)
New Import 47	New Import 47	New Import 47	New Export 47	New Export 47	New Export 47	Inkersall Road ESS & PV	3		21765.66	1.31	1.31		2045.87	0.05	0.05
New Import 48	New Import 48	New Import 48				Isley Walton IDNO	4	3.641	35699.25	2.03	2.03				
New Import 49	New Import 49	New Import 49	New Export 49	New Export 49	New Export 49	J162 Waterleys Farm		1.562	448.95	0.75	0.75	-1.612	448.95	0.05	0.05
New Import 50	New Import 50	New Import 50	New Export 50	New Export 50	New Export 50	Kilsby Road		0.240	131.99	1.77	1.77		26794.19	0.05	0.05
New Import 51	New Import 51	New Import 51	New Export 51	New Export 51	New Export 51	Kingston Solar			1.80	1.15	1.15		896.11	0.05	0.05
New Import 52	New Import 52	New Import 52	New Export 52	New Export 52	New Export 52	Kisses Barn Farm		1.752	223.39	1.22	1.22		4132.77	0.05	0.05
New Import 53	New Import 53	New Import 53	New Export 53	New Export 53	New Export 53	Land at Langer Lane ESS & PV			80.44	1.92	1.92	-1.326	603.92	0.05	0.05
New Import 54	New Import 54	New Import 54	New Export 54	New Export 54	New Export 54	Land on Cauldwell Road			6631.11	0.61	0.61		6631.11	0.05	0.05
New Import 55	New Import 55	New Import 55	New Export 55	New Export 55	New Export 55	Limes Farm		6.233	7.41	1.22	1.22	-6.675	741.11	0.05	0.05
New Import 56	New Import 56	New Import 56	New Export 56	New Export 56	New Export 56	Little Morton Farm			502.57	1.30	1.30	-0.427	502.57	0.05	0.05
New Import 57	New Import 57	New Import 57				Little Oak Drive	4		39625.44	2.90	2.90				
New Import 58	New Import 58	New Import 58	New Export 58	New Export 58	New Export 58	Lower Farm, Bishops Itchington		1.831	5.26	1.88	1.88		4207.67	0.05	0.05
New Import 59	New Import 59	New Import 59	New Export 59	New Export 59	New Export 59	Mallows Lane ESS & PV		6.366	121.19	0.98	0.98	-6.675	242.39	0.05	0.05
New Import 60	New Import 60	New Import 60	New Export 60	New Export 60	New Export 60	Manor Farm, Whitfield		0.963	77.57	0.71	0.71		3878.73	0.05	0.05
New Import 61	New Import 61	New Import 61	New Export 61	New Export 61	New Export 61	Markham Vale IDNO			1464.91	0.61	0.61		1464.91	0.05	0.05
New Import 62	New Import 62	New Import 62	New Export 62	New Export 62	New Export 62	Middle Farm Road			12.50	2.52	2.52		999.89	0.05	0.05
New Import 63	New Import 63	New Import 63	New Export 63	New Export 63	New Export 63	Mill Farm, Cotes			0.82	2.24	2.24		362.76	0.05	0.05
New Import 64	New Import 64	New Import 64				Milton Keynes East Development IDNO	4	1.054	35699.25	1.41	1.41				
New Import 65	New Import 65	New Import 65				Mixed Development, Nottingham Island, Manvers Street, Nottingham IDNO	3	3.281	16270.12	0.93	0.93				
New Import 66	New Import 66	New Import 66	New Export 66	New Export 66	New Export 66	Moreton Morrell Solar		1.831	4.24	2.42	2.42		423.50	0.05	0.05
New Import 67	New Import 67	New Import 67				N0016984, Stanton Cross Route 10 IDNO	4	1.649	36233.58	2.99	2.99				
New Import 68	New Import 68	New Import 68				New Stanton Park IDNO	4	3.641	35699.25	2.67	2.67				
New Import 69	New Import 69	New Import 69				Newlands THA Dist. Park 11MVA IDNO	2	1.649	7009.75	2.32	2.32				
New Import 70	New Import 70	New Import 70	New Export 70	New Export 70	New Export 70	Newton Wood Farm ESS			861.10	0.83	0.83		861.10	0.05	0.05
New Import 71	New Import 71	New Import 71	New Export 71	New Export 71	New Export 71	Normanton Larches Solar			9.07	1.15	1.15		1209.39	0.05	0.05
New Import 72	New Import 72	New Import 72				Northampton Gateway IDNO	4	1.497	35699.25	1.49	1.49				
New Import 73	New Import 73	New Import 73	New Export 73	New Export 73	New Export 73	Northampton Gateway PV IDNO		1.497		1.49	1.49		363.58	0.05	0.05
New Import 74	New Import 74	New Import 74	New Export 74	New Export 74	New Export 74	Oakley Bushes Solar Farm 1			8.89	2.30	2.30		889.02	0.05	0.05
New Import 75	New Import 75	New Import 75	New Export 75	New Export 75	New Export 75	Oakley Bushes Solar Farm 2			8.89	2.30	2.30		889.02	0.05	0.05
New Import 76	New Import 76	New Import 76				Overstone Green POC including 33kV works	2	1.649	7561.00	1.84	1.84				
New Import 77	New Import 77	New Import 77				Persimmon Homes Northampton IDNO	3	1.649	16270.12	1.49	1.49				
New Import 78	New Import 78	New Import 78	New Export 78	New Export 78	New Export 78	Pistern Hills Farm			23818.86	3.38	3.38	-3.561	23818.86	0.05	0.05
New Import 79	New Import 79	New Import 79	New Export 79	New Export 79	New Export 79	Poole Farm, Barrow Road			1.81	2.24	2.24		361.77	0.05	0.05
New Import 80	New Import 80	New Import 80	New Export 80	New Export 80	New Export 80	Pot Ash Farm		0.963	3.18	2.67	2.67		636.27	0.05	0.05
New Import 81	New Import 81	New Import 81	New Export 81	New Export 81	New Export 81	Potterspurty Solar Farm, land north of Potterspurty		0.963	105.87	2.34	2.34		14115.38	0.05	0.05
New Import 82	New Import 82	New Import 82				Project Winehouse IDNO	3	1.649	16270.12	1.34	1.34				
New Import 83	New Import 83	New Import 83	New Export 83	New Export 83	New Export 83	Pyghtle Farm, Wicken Park Road, Wicken, Milton Keynes		0.963	117.62	2.67	2.67		2940.51	0.05	0.05
New Import 84	New Import 84	New Import 84				Queen's Medical Centre IDNO	4		35699.25	1.41	1.41				
New Import 85	New Import 85	New Import 85				Red Bull IDNO	3	1.054	16270.12	1.39	1.39				
New Import 86	New Import 86	New Import 86	New Export 86	New Export 86	New Export 86	Rothersthorpe, Milton Road		1.497	30.34	1.56	1.56		12137.91	0.05	0.05
New Import 87	New Import 87	New Import 87	New Export 87	New Export 87	New Export 87	Royle Farm			1937.25	0.71	0.71		1937.25	0.05	0.05
New Import 88	New Import 88	New Import 88	New Export 88	New Export 88	New Export 88	Sherbourne Farm Solar		1.831	147.23	2.42	2.42		3680.77	0.05	0.05
New Import 89	New Import 89	New Import 89	New Export 89	New Export 89	New Export 89	Shirebrook Wind Farm		0.812	3.46	0.92	0.92		172.91	0.05	0.05
New Import 90	New Import 90	New Import 90	New Export 90	New Export 90	New Export 90	Shireoaks Hall Farm PV			9.00	1.22	1.22		675.36	0.05	0.05
New Import 91	New Import 91	New Import 91				Smart Parc IDNO	4	3.641	35699.25	2.85	2.85				
New Import 92	New Import 92	New Import 92	New Export 92	New Export 92	New Export 92	SmartParc G99 applicatio IDNO		3.290		2.74	2.74		363.58	0.05	0.05
New Import 93	New Import 93	New Import 93	New Export 93	New Export 93	New Export 93	Soars Lodge Farm			17.64	1.60	1.60		880.27	0.05	0.05
New Import 94	New Import 94	New Import 94	New Export 94	New Export 94	New Export 94	Sparrow Lodge Farm, Wicken Park Road		0.963	0.91	2.67	2.67		362.68	0.05	0.05
New Import 95	New Import 95	New Import 95				Staveley Ironworks	3		30787.92	1.25	1.25				
New Import 96	New Import 96	New Import 96	New Export 96	New Export 96	New Export 96	Staveley Works			128.09	0.94	0.94		2049.50	0.05	0.05
New Import 97	New Import 97	New Import 97	New Export 97	New Export 97	New Export 97	Stourton Estate			14.72	1.15	1.15		883.19	0.05	0.05
New Import 98	New Import 98	New Import 98	New Export 98	New Export 98	New Export 98	Stow Park Farm ESS & PV			70.70	1.15	1.15		4948.65	0.05	0.05
New Import 99	New Import 99	New Import 99	New Export 99	New Export 99	New Export 99	Sudbury Estate			448.95	3.48	3.48	-3.561	448.95	0.05	0.05
New Import 100	New Import 100	New Import 100	New Export 100	New Export 100	New Export 100	Swadlingcote, Depot 3 off Cadley Hill Road			2293.85	1.98	1.98	-1.773	2293.85	0.05	0.05
New Import 101	New Import 101	New Import 101	New Export 101	New Export 101	New Export 101	Thornton Solar Farm			7.14	0.91	0.91		890.77	0.05	0.05
New Import 102	New Import 102	New Import 102	New Export 102	New Export 102	New Export 102	Thorpe Constantine Solar			2.69	1.59	1.59		895.22	0.05	0.05
New Import 103	New Import 103	New Import 103				Thrapston Commercial Park 12MVA IDNO	3	1.649	16270.12	2.32	2.32				
New Import 104	New Import 104	New Import 104	New Export 104	New Export 104	New Export 104	Thurlaston Estate Solar Farm			21.13	1.60	1.60		16904.59	0.05	0.05
New Import 105	New Import 105	New Import 105	New Export 105	New Export 105	New Export 105	Toldish Hall PV		0.240	19.28	2.35	2.35		2410.12	0.05	0.05
New Import 106	New Import 106	New Import 106	New Export 106	New Export 106	New Export 106	Vauls Farm PV		0.240	21.39	2.35	2.35		3421.68	0.05	0.05
New Import 107	New Import 107	New Import 107	New Export 107	New Export 107	New Export 107	Vicarage Drove			1593.80	0.61	0.61		1593.80	0.05	0.05
New Import 108	New Import 108	New Import 108	New Export 108	New Export 108	New Export 108	Vicarage Farm		1.562	448.95	2.82	2.82	-4.552	448.95	0.05	0.05
New Import 109	New Import 109	New Import 109	New Export 109	New Export 109	New Export 109	Washdyke Farm			60.84	1.22	1.22		15058.58	0.05	0.05
New Import 110	New Import 110	New Import 110				Wating Street	3	0.263	18037.51	2.19	2.19				

Note: The list of MPANs / MSIDs provided may be incomplete; the DNO reserves the right to apply the listed charges to any other MPANs / MSIDs associated with the site.

Annex 2 - Schedule of Charges for use of the Distribution System by Designated EHV Properties (including LDNOs with Designated EHV Properties/end-users).

Import Unique Identifier	LLFC/DUoS Tariff Id	Import MPANs/MSIDs	Export Unique Identifier	LLFC/DUoS Tariff Id	Export MPANs/MSIDs	Name	Residual Charging Band	Import Super Red unit charge (p/kWh)	Import fixed charge (p/day)	Import capacity charge (p/kVA/day)	Import exceeded capacity charge (p/kVA/day)	Export Super Red unit charge (p/kWh)	Export fixed charge (p/day)	Export capacity charge (p/kVA/day)	Export exceeded capacity charge (p/kVA/day)
10500	10500	10500	10501	10501	10501	Watnall Brickworks IDNO		1.849	1.07	0.78	0.78		362.52	0.05	0.05
New Import 112	New Import 112	New Import 112	New Export 112	New Export 112	New Export 112	Welby Road BESS			448.95	1.82	1.82	-1.612	448.95	0.05	0.05
New Import 113	New Import 113	New Import 113	New Export 113	New Export 113	New Export 113	Wetmore Hall Farm IDNO				0.87	0.87		1646.70	0.05	0.05
New Import 114	New Import 114	New Import 114	New Export 114	New Export 114	New Export 114	Whaley Solar			94.75	1.22	1.22		6042.86	0.05	0.05
New Import 115	New Import 115	New Import 115	New Export 115	New Export 115	New Export 115	Willbrook Industrial Estate Phase 2, Shelton Road, Corby		1.681	1015.52	1.59	1.59	-2.063	4352.22	0.05	0.05
New Import 116	New Import 116	New Import 116	New Export 116	New Export 116	New Export 116	Winkburn Estate BESS	4		39710.81	1.01	1.01	-0.427	448.95	0.05	0.05
New Import 117	New Import 117	New Import 117	New Export 117	New Export 117	New Export 117	Winstor PV, Ivonbrook Farm		0.065		1.61	1.61		1646.70	0.05	0.05
New Import 118	New Import 118	New Import 118	New Export 118	New Export 118	New Export 118	Wistow Lodge PV, Leicester Road			164.43	1.60	1.60		21923.39	0.05	0.05
New Import 119	New Import 119	New Import 119	New Export 119	New Export 119	New Export 119	Wood Lodge Farm		1.497	588.12	1.54	1.54		60492.85	0.05	0.05

Note: The list of MPANs / MSIDs provided may be incomplete; the DNO reserves the right to apply the listed charges to any other MPANs / MSIDs associated with the site.

**National Grid Electricity Distribution (East Midlands) plc - Effective from 1 April 2027 - Final Designated EHV import**

Import Unique Identifier	LLFC/DUoS Tariff Id	Import MPANs/MSIDs	Name	Import Super Red unit charge (p/kWh)	Import fixed charge (p/day)	Import capacity charge (p/kVA/day)	Import exceeded capacity charge (p/kVA/day)
61	61	1100039606230 1100050612745	Jaguar Land Rover Gaydon	1.892	63462.67	2.48	2.48
155	155	1170000982191	Lyon Road Gas Gen	1.055	62.72	1.53	1.53
156	156	1170001003919	Asher Lane 33kV STOR		6.73	1.23	1.23
157	157	1170001052172	Spondon Peaking STOR	3.512	19.13	4.85	4.85
159	159	1170001154334	Churchover solar farm new	0.224	18.70	1.61	1.61
160	160	1170001200878	Hall Farm Site PV 2	0.536	9.71	1.80	1.80
161	161	1170001247398	Back Lane ESS		750.21	1.61	1.61
162	162	1170001302506	Thornton Estate, Weighbridge Road		5.47	1.71	1.71
163	163	1170001326302	Battery Ln Boston ESS	6.590	181.79	0.71	0.71
164	164	1170001342581	Willowbrook Industrial Estate	1.545	560.81	1.18	1.18
165	165	1170001402770	Fiskerton Airfield		4.47	0.85	0.85
166	166	1170001415724	Whitecross Lane PV Park		9.87	1.78	1.78
167	167	1170001443100	Streetfield Farm Watling PV	0.247	19.93	1.00	1.00
168	168	1170001544439	Gorse Lane Solar		8.76	1.22	1.22
169	169	1170001544633	Gorse Lane Solar Ext		8.94	1.22	1.22
173	173	1170001694589	Highgrounds STOR		19.11	1.41	1.41
174	174	1170001697951	Hayton Lakes Battery		293.05	0.68	0.68
175	175	1170001697970	Hayton Lakes PV		4.44	0.83	0.83
176	176	1170001813100	Manor Farm		28.14	0.85	0.85
177	177	1170001815428	Potash Farm A ESS		3449.50	1.46	1.46
178	178	1170001777720	Potash Farm B ESS		3449.50	1.44	1.44
180	180	1170001821626	Adstock Solar Farm, Addington	1.005	2.44	2.85	2.85
181	181	1170001869405	Eastfields Solar	1.892	2070.54	1.34	1.34
182	182	1170002051843	Chapel Street, Stapleton	0.250	1.34	1.61	1.61
183	183	1170002064434	Manor Fam Bourton		35.19	2.12	2.12
185	185	1170002076388	Newbold Pacey, Newbold Road	1.848	3.60	1.99	1.99
186	186	1170002082586	Harborough Fields Farm		40.16	1.35	1.35
187	187	1170002107576	Private Rd No5 Colwick	1.332	25.07	1.98	1.98
190	190	1170001889874	Inkersall Farm PV		15.31	1.22	1.22
191	191	1170002171864	Chestnut Farm		33.98	2.23	2.23
192	192	1170002225828	Osberton Solar		4.08	1.69	1.69
193	193	1170002229520	Astley Gorse Solar	0.240	2.45	3.22	3.22

Note: The list of MPANs / MSIDs provided may be incomplete; the DNO reserves the right to apply the listed charges to any other MPANs / MSIDs associated with the site.

Annex 2a - Schedule of Import Charges for use of the Distribution System by Designated EHV Properties (including LDNOs with Designated EHV Properties/end-users).

Import Unique Identifier	LLFC/DUoS Tariff Id	Import MPANs/MSIDs	Name	Import Super Red unit charge (p/kWh)	Import fixed charge (p/day)	Import capacity charge (p/kVA/day)	Import exceeded capacity charge (p/kVA/day)
195	195	1170002296030	Moor Lane Solar Farm	0.592	28.20	2.12	2.12
196	196	1170002269408	Rolleston Park 2		20.51	1.66	1.66
253	253	1170001236847	Branston Potato Farm		193.83	1.05	1.05
254	254	1170001326288	Cotham Grange 132 PV		9.98	1.06	1.06
255	255	1170001439707	Newhurst ERF 132 EFW		2894.65	0.67	0.67
256	256	1170001496013	Grafton Underwood		2.02	2.30	2.30
257	257	1170001534811	Desford Road BESS 132		448.95	1.16	1.16
258	258	1170001675196	Crick Road Solar Plant		10.59	1.33	1.33
259	259	1170001689551	Hayton Lakes PV 132		2.22	1.15	1.15
260	260	1170001875862	Land at Low Farm		2.17	1.69	1.69
261	261	1170001991736	Inkersall Grange Farm Bilsthorpe PV		17.64	0.67	0.67
262	262	1170001991684	Land at Crifton Lodge Farm Bilsthorpe PV		6.20	1.51	1.51
263	263	1170002121701	Land at Ash Farm ESS & PV		708.35	0.94	0.94
264	264	1170002125450	Halloughton Solar Farm Southwell		146.30	1.15	1.15
265	265	1170002144754	Bagworth Road, Newbold Verdon		4.48	1.60	1.60
266	266	1170002166632	Winkburn Solar		8.89	1.15	1.15
267	267	1170002175520	Ashorne Solar		149.90	2.31	2.31
270	270	1170002199275	Copse Lodge Solar Farm		4.48	1.88	1.88
271	271	1170002070553	Haunton Manor Farm Solar Project		8.19	1.59	1.59
272	272	1170002109778	Gonerby Moor PV		5.84	1.15	1.15
273	273	117002016764	Longmoor Solar, Castle View Road		6.25	1.15	1.15
281	281	1170000946973 1170000946982	Jaguar Land Rover Whitley		59913.57	1.23	1.23
282	282	1170001293394 1170001293400	Long Itchington Northern Portal	1.909	26925.80	1.89	1.89
292	292	1170000480680	Yew Tree Farm PV	1.001	3.00	2.14	2.14
293	293	1170000487142	Cobb Farm Egmanton PV		5.06	2.48	2.48
294	294	1170000530950	Kelmarsh Wind Farm	1.833	237.28	0.70	0.70
296	296	1170000549231	Copley Farm PV Claypole		18.51	0.85	0.85
297	297	1170000549269	Greatmoor EFW Calvert	1.004	1070.84	0.67	0.67
298	298	1170000559851	Lodge Farm (Calow) PV		4.39	1.79	1.79
299	299	1170000569840	Arkwright Solar PV		163.00	1.57	1.57
300	300	1170000579245	Langar PV Imports		2.46	2.79	2.79
302	302	1170000579919	Averill Farm PV		25.90	1.98	1.98
303	303	1170000582692	Marchington Solar PV	0.067	2.58	2.51	2.51

Note: The list of MPANs / MSIDs provided may be incomplete; the DNO reserves the right to apply the listed charges to any other MPANs / MSIDs associated with the site.

Annex 2a - Schedule of Import Charges for use of the Distribution System by Designated EHV Properties (including LDNOs with Designated EHV Properties/end-users).

Import Unique Identifier	LLFC/DUoS Tariff Id	Import MPANs/MSIDs	Name	Import Super Red unit charge (p/kWh)	Import fixed charge (p/day)	Import capacity charge (p/kVA/day)	Import exceeded capacity charge (p/kVA/day)
304	304	1170000586492	West End Fm Treswell PV		4.07	1.44	1.44
305	305	1170000586605	Fields Farm Southam PV	1.792	4.59	1.77	1.77
306	306	1170000587273	Canopus Farm PV	6.499	5.07	0.90	0.90
307	307	1170000594261	Lindridge Farm PV	0.538	4.53	2.10	2.10
308	308	1170000594164	Thornborough Grnds PV	0.959	25.30	2.33	2.33
309	309	1170000592228	Wymeswold Narrow Lane PV		18.36	2.06	2.06
310	310	1170000598034	Manor Farm Horton PV	1.562	7.51	1.16	1.16
311	311	1170000598196	Handley Park Farm PV	0.945	15.77	0.83	0.83
312	312	1170000601982	Shelton Lodge PV		36.44	0.90	0.90
313	313	1170000604023	Brafield on the Green PV	1.479	91.46	0.83	0.83
314	314	1170000605221	Sywell PV	1.069	43.88	2.91	2.91
315	315	1170000614990	Holtwood Farm PV	0.057	22.64	2.15	2.15
316	316	1170000614972	Drakelow Farm PV		9.95	2.94	2.94
317	317	1170000619916	Stragglethorpe Rd PV	1.030	34.46	2.23	2.23
318	318	1170000627448	Oxcroft Solar Farm PV		730.50	0.69	0.69
319	319	1170000626816	Derby Waste Sinfin EFW	3.449	1332.94	1.50	1.50
320	320	1170000625681	Littlewood Farm PV		3.17	1.64	1.64
321	321	1170000630413	Twin Yards Farm PV	1.550	25.74	1.00	1.00
322	322	1170000629640	Tower Hayes Farm PV	0.591	11.34	1.99	1.99
323	323	1170000632606	The Breck Solar PV		34.65	0.87	0.87
324	324	1170000631426	Barnby Moor Retford PV		82.33	1.10	1.10
325	325	1170000636503	Lincoln Farm PV		7.90	0.93	0.93
326	326	1170000652009	Drakelow Renewable BIO		69.77	2.56	2.56
328	328	1170000641470	Mill Fm Gt Ponton PV		33.32	0.96	0.96
329	329	1170000954316	Welland Bio Power Imp	1.576	1133.45	0.84	0.84
330	330	1170000671093	Deepdale Solar Fm PV		11.10	1.10	1.10
331	331	1170000671118	Burton Wolds South WF	1.550	2.06	2.37	2.37
334	334	1170000677271	Gawcott Flds PV Commercial	0.848	2.44	0.92	0.92
335	335	1170000677290	Gawcott Flds PV Community	0.477	2.44	0.83	0.83
337	337	1170000722748	John Brookes Sawmill BIO		1141.58	1.99	1.99
338	338	1170000723991	Hawton Wind Farm WF		43.46	0.70	0.70
340	340	1170000727221	Garnham Close STOR		23.92	1.25	1.25
341	341	1170000733935	RAF Cranwell High G		1644.98	0.84	0.84
343	343	1170000751465	Hermitage Lane STOR		4.49	2.38	2.38
344	344	1170000759678	Fosse Way Radford Sem PV	1.847	28.80	1.52	1.52

Note: The list of MPANs / MSIDs provided may be incomplete; the DNO reserves the right to apply the listed charges to any other MPANs / MSIDs associated with the site.

Annex 2a - Schedule of Import Charges for use of the Distribution System by Designated EHV Properties (including LDNOs with Designated EHV Properties/end-users).

Import Unique Identifier	LLFC/DUoS Tariff Id	Import MPANs/MSIDs	Name	Import Super Red unit charge (p/kWh)	Import fixed charge (p/day)	Import capacity charge (p/kVA/day)	Import exceeded capacity charge (p/kVA/day)
345	345	1170000761640	Meadow Fm Thorpe Lang PV	1.548	12.21	0.94	0.94
346	346	1170000768557	Olney Hyde Farm PV		82.51	0.70	0.70
347	347	1170000772456	Dayfields Farm PV	0.058	10.96	1.79	1.79
348	348	1170000775712	Bolsovermoor Quarry PV		9.37	0.90	0.90
349	349	1170000775340	Bilsthorpe PV		89.65	0.81	0.81
351	351	1170000783305	Sutton Bonnington PV		7.79	2.12	2.12
353	353	1170000790241	Green Lane Marchington PV	0.053	10.67	2.32	2.32
354	354	1170000807142	Baddesley Park PV	1.837	30.10	0.70	0.70
355	355	1170000807160	Baddesley Pk Biomass	1.894	491.97	0.72	0.72
356	356	1170000858990	Taylor Lane 33kV STOR		7.06	1.80	1.80
357	357	1170000871315	Hill Farm ESS	0.294	1668.31	1.77	1.77
358	358	1170000871120	Leverton ESS		181.79	0.73	0.73
359	359	1170000884086	Nottingham Rd STOR		28.10	1.13	1.13
361	361	1170000895724	Breach Farm ESS		2738.40	2.58	2.58
362	362	1170000902629	Boston Biomass Gen AD	6.512	51.94	0.78	0.78
363	363	1170000928965	Twin Oaks Diesel STOR	0.068	2.83	2.05	2.05
364	364	1170000939911	Colwick Private Rd STOR	0.868	4.82	2.08	2.08
365	365	1170000953544	Mill Fm Caythorpe ESS		270.33	0.68	0.68
784	784	1170000447716	Prestop Park Farm PV		1.28	2.65	2.65
785	785	1170000447479	Smith Hall Farm Solar		17.01	1.13	1.13
786	786	1170000447497	Park Farm Solar Ashby	0.492	80.54	1.93	1.93
787	787	1170000451420	Aston House Solar Farm		15.68	1.64	1.64
789	789	1170000457617	Elms Farm Solar Farm	1.711	2.26	2.03	2.03
790	790	1170000458550	Morton Solar Farm		2.60	1.72	1.72
791	791	1170000463150	Glebe Farm Podington PV	1.225	108.96	2.98	2.98
792	792	1170000468015	Rolleston Park Solar		68.53	1.25	1.25
793	793	1170000467572	Nowhere Farm PV	6.520	7.93	1.55	1.55
795	795	1170000467509	Chelveston Renewable PV	1.566	1110.57	3.55	3.55
796	796	1170000474082	Horsemoor Drove Solar	6.342	22.07	3.00	3.00
797	797	1170000474436	Decoy Farm Crowland PV	4.329	8.46	2.53	2.53
799	799	1170000474393	Decoy Farm Crowland AD		22.72	2.46	2.46
824	824	1100039676983 1100039676992	Network Rail Bytham	6.504	33727.46	1.51	1.51
825	825	1100039676690 1100039676706	Network Rail Grantham		42260.96	1.37	1.37

Note: The list of MPANs / MSIDs provided may be incomplete; the DNO reserves the right to apply the listed charges to any other MPANs / MSIDs associated with the site.

Annex 2a - Schedule of Import Charges for use of the Distribution System by Designated EHV Properties (including LDNOs with Designated EHV Properties/end-users).

Import Unique Identifier	LLFC/DUoS Tariff Id	Import MPANs/MSIDs	Name	Import Super Red unit charge (p/kWh)	Import fixed charge (p/day)	Import capacity charge (p/kVA/day)	Import exceeded capacity charge (p/kVA/day)
826	826	1100050106527	Network Rail Staythorpe		7714.55	0.84	0.84
827	827	1100039676965 1100039676974	Network Rail Retford		22767.10	2.18	2.18
831	831	1100039602086	Jaguar Cars	1.906	7561.00	2.89	2.89
832	832	1100039600655	Alstom Frankton	1.173	11297.80	1.06	1.06
833	833	1170000817007 1170000817025	University of Warwick		7475.47	2.32	2.32
834	834	1100039603131	Dunlop Factory	2.083	7545.19	1.95	1.95
835	835	1160001030330 1160001139525	Bombardier	3.718	4094.35	2.11	2.11
836	836	1100039600015	Corby Steel Works	1.826	39625.44	1.36	1.36
839	839	1100039667570	GEC Alstom	0.620	9795.50	3.38	3.38
840	840	1100050311185 1100050311194	St Gobain	3.488	1463.98	3.05	3.05
841	841	1100039603559	Toyota	0.070	110663.90	3.10	3.10
845	845	1160001236210	Petsoe Wind Farm	0.035	155.45	1.86	1.86
846	846	1100039600042	Castle Cement	7.242	45108.54	1.78	1.78
847	847	1100050013290 1100050314594	Rugby Cement	0.273	41808.02	2.72	2.72
848	848	1100039667446	Coventry & Solihull Waste	0.268	412.89	2.04	2.04
849	849	1170000014575	Bentinck Generation		31.89	2.12	2.12
852	852	1100050780529	Asfordby 132kV		20524.60	0.78	0.78
853	853	1100770095532	Calvert Landfill EFW	1.004	42.26	2.12	2.12
854	854	1100770104666	Weldon Landfill		63.51	0.99	0.99
855	855	1100770099918	Goosy Lodge Power	1.221	1155.85	2.77	2.77
856	856	1160000116234 1160000135185	BAR Honda	1.025	7748.22	1.43	1.43
857	857	1160000226327	Burton Wolds Wind Farm	1.566	1110.72	2.21	2.21
858	858	1100039606090	Network Rail Bretton	6.504	7748.22	1.51	1.51
859	859	1100770683368	Bambers Farm Wind Farm		3.23	0.71	0.71
860	860	1160000213601	Vine House Wind Farm	7.676	103.98	2.53	2.53
861	861	1160000154150	Red House Wind Farm	6.326	24.11	2.52	2.52
862	862	1160000186551	Daneshill Landfill		51.65	1.08	1.08
863	863	1130000053950	Corby Power demand	1.767	885.81	1.33	1.33
864	864	1160000745093	Newton Longville Landfill	1.004	24.64	1.26	1.26

Note: The list of MPANs / MSIDs provided may be incomplete; the DNO reserves the right to apply the listed charges to any other MPANs / MSIDs associated with the site.

Annex 2a - Schedule of Import Charges for use of the Distribution System by Designated EHV Properties (including LDNOs with Designated EHV Properties/end-users).

Import Unique Identifier	LLFC/DUoS Tariff Id	Import MPANs/MSIDs	Name	Import Super Red unit charge (p/kWh)	Import fixed charge (p/day)	Import capacity charge (p/kVA/day)	Import exceeded capacity charge (p/kVA/day)
865	865	1160000909822	Hollies Wind Farm		2.96	0.82	0.82
866	866	1130000044004	Lynn Wind Farm		233.73	0.73	0.73
867	867	1130000044022	Inner Dowsing Wind Farm		233.73	0.73	0.73
868	868	1160000999037	Bicker Fen Wind Farm	6.216	54.92	0.77	0.77
869	869	1100039667455	London Road Heat Station		144.88	0.91	0.91
870	870	1160001253330	Lindhurst Wind Farm		32.85	1.59	1.59
873	873	1100039600317	Rolls Royce Coventry	1.837	1276.77	1.85	1.85
875	875	1100039667989	Caterpillar	2.192	13778.74	1.63	1.63
876	876	1100039602323	Santander Carlton Park	4.198	1276.77	1.40	1.40
877	877	1100039600308	Brush	1.612	7561.00	1.25	1.25
878	878	1170000352384 1170000352409	JCB	2.027	17850.29	2.73	2.73
879	879	1100039606197	Cast Bar UK	1.312	13344.01	1.56	1.56
880	880	1100039668227	Bretby GP	0.641	1276.77	4.44	4.44
881	881	1100039601028	Holwell Works	1.807	7561.00	1.49	1.49
882	882	1100039601019	Pedigree Petfoods	1.648	7561.00	2.26	2.26
883	883	1100039601339	Alstom Wolverton	2.639	1276.77	2.98	2.98
884	884	1100039600567	Colworth Laboratory	4.487	1276.77	3.65	3.65
885	885	1100039601923 1100039601932	Boots Thane Road	0.399	10099.72	0.86	0.86
886	886	1100039606294	QMC	0.315	7456.06	1.53	1.53
887	887	1100039604358	British Gypsum	1.893	11509.80	2.86	2.86
888	888	1100039605139 1100039605148	Melbourne STW	6.898	7561.00	2.78	2.78
889	889	1100039601116 1100050484817	Whetstone	4.381	1276.77	3.28	3.28
890	890	1100039603647 1100039603656	Holbrook Works		1103.36	0.81	0.81
891	891	1100050674421 1100050677575	Astrazeneca Charnwood	1.496	13354.93	2.34	2.34
892	892	1160000002893 1160000065918	B&Q Manton	0.626	1175.98	1.28	1.28
893	893	1160001007100 1160001122717	Transco Churchover	0.417	31303.85	1.55	1.55
894	894	1100039600033	Alstom Rugby	1.141	11012.66	0.98	0.98

Note: The list of MPANs / MSIDs provided may be incomplete; the DNO reserves the right to apply the listed charges to any other MPANs / MSIDs associated with the site.

Annex 2a - Schedule of Import Charges for use of the Distribution System by Designated EHV Properties (including LDNOs with Designated EHV Properties/end-users).

Import Unique Identifier	LLFC/DUoS Tariff Id	Import MPANs/MSIDs	Name	Import Super Red unit charge (p/kWh)	Import fixed charge (p/day)	Import capacity charge (p/kVA/day)	Import exceeded capacity charge (p/kVA/day)
896	896	1160001363390	Low Spinney Wind Farm		218.41	0.81	0.81
897	897	1160001457392	Swinford Wind Farm	0.191	1236.16	0.84	0.84
898	898	1170000117971	Yelvertoft Wind Farm		82.37	1.96	1.96
899	899		Maxwell House Data Centre	1.904	46732.81	1.25	1.25
902	902	1170000199789	Burton Wolds Wind Farm phase 2	1.169	99.81	2.25	2.25
903	903	1170000137579	Shacks Barn PV	0.832	13.67	0.91	0.91
904	904	1160001324665	Hatton Gas Compressor		40159.76	1.20	1.20
905	905	1170000112477	North Hykeham EFW		58.27	0.68	0.68
906	906	1160001415347	Sleaford Renewable Energy Plant		5712.49	5.54	5.54
907	907	1170000059210	Bilsthorpe Wind Farm		22.82	0.70	0.70
908	908	1170000117944	Old Dalby Lodge Wind Farm		22.59	1.94	1.94
909	909	1170000146670	Willoughby STOR generation		290.69	2.05	2.05
910	910	1130000085288	Rolls Royce AB&E 33kV	3.728	39625.44	2.50	2.50
911	911	1170000110600	The Grange Wind Farm	5.617	50.64	2.68	2.68
912	912	1170000111881	Clay Lake STOR	6.547	1282.19	2.80	2.80
913	913	1170000113443	Balderton STOR		1104.00	1.01	1.01
914	914	1170000172954	Wymeswold Solar Park		12.71	3.50	3.50
915	915	1170000722696	French Farm Wind Farm	6.630	137.71	2.58	2.58
916	916	1170000398486	Lilbourne Wind Farm	0.006	1198.43	1.34	1.34
917	917	1170000154538	Chelveston Renewable	0.923	1111.22	2.22	2.22
918	918	1170000174827	Beachampton Solar Farm	0.896	13.18	2.31	2.31
919	919	1170000182961	Croft End Solar Farm		3.69	1.43	1.43
920	920	1170000233552	M1 Wind farm	1.025	9.49	1.04	1.04
922	922	1170000280108	Low Farm Anaerobic Dig		364.48	0.97	0.97
923	923	1170000280960	Turweston Airfield Solar Farm	1.003	3.63	1.43	1.43
924	924	1170000281175	Burton Pedwardine Solar		8.67	1.13	1.13
925	925	1170000306909	Little Morton Farm Solar		6.30	1.51	1.51
930	930	1170000073288	Rockingham	2.364	32194.79	1.32	1.32
931	931	1170000086612 1170000091783 1170000091792 1170000091808	Santander Carlton Park 132/11	0.644	43775.62	2.21	2.21
932	932	1160001446600	Delphi Diesel	3.687	1276.77	1.35	1.35
940	940	1170000306884	Lodge Farm Solar Park		24.90	0.86	0.86
941	941	1170000313162	Ermine Farm PV		26.14	1.22	1.22

Note: The list of MPANs / MSIDs provided may be incomplete; the DNO reserves the right to apply the listed charges to any other MPANs / MSIDs associated with the site.

Annex 2a - Schedule of Import Charges for use of the Distribution System by Designated EHV Properties (including LDNOs with Designated EHV Properties/end-users).

Import Unique Identifier	LLFC/DUoS Tariff Id	Import MPANs/MSIDs	Name	Import Super Red unit charge (p/kWh)	Import fixed charge (p/day)	Import capacity charge (p/kVA/day)	Import exceeded capacity charge (p/kVA/day)
942	942	1170000319234	Ridge Solar Park	1.476	3.60	3.13	3.13
943	943	1170000325283	Winwick Wind Farm		74.90	1.93	1.93
944	944	1170000325308	Watford Lodge Wind Farm	0.025	113.80	1.97	1.97
945	945	1170000326454	Leverton Solar Park	6.173	2.80	1.30	1.30
946	946	1170000337508	Burton Pedwardine Phase 2		23.64	1.41	1.41
947	947	1170000369068	Hartwell Solar Farm	1.554	36.30	1.92	1.92
948	948	1170000369100	Eakley Lanes Solar North	1.565	7.24	0.89	0.89
949	949	1170000369129	Eakley Lanes Solar South	1.584	78.79	0.72	0.72
950	950	1170000388743	Welbeck Colliery PV		6.05	1.05	1.05
951	951	1170000394960	Newton Road PV	1.468	40.88	1.74	1.74
952	952	1170000395954	New Albion Wind Farm	1.409	68.75	2.05	2.05
953	953	1170000400772	Moat Farm PV		16.09	1.23	1.23
954	954	1170000407875	Bilsthorpe Solar		15.12	2.52	2.52
955	955	1170000409696	Hall Farm Site PV 1	0.474	9.71	1.79	1.79
956	956	1170000415946	Gaultney Solar Park	1.566	1.25	3.98	3.98
957	957	1170000413692	Fiskerton Solar Farm		1.21	1.36	1.36
958	958	1170000424904	Mount Mill Solar Park	0.961	12.30	2.67	2.67
959	959	1170000427170	Podington Airfield WF	1.432	189.38	2.82	2.82
960	960	1170000428528	Branston South PV Farm		6.32	1.47	1.47
961	961	1170000430182	Eakring Solar Farm		2.96	1.31	1.31
962	962	1170000439877	Ragdale PV Solar Park		188.75	2.00	2.00
963	963	1170000438312	Thoresby Solar Farm		11.20	1.04	1.04
964	964	1170000437211	Welbeck Solar Farm		18.81	1.21	1.21
965	965	1170000444690	Atherstone Solar Farm	1.838	3.94	2.47	2.47
966	966	1170000445115	Babworth Estate PV Farm		4.42	1.54	1.54
968	968	1170000446615	Homestead Farm Solar Park	0.732	8.39	2.52	2.52
969	969	1170000447033	Grange Solar Farm		3.53	1.54	1.54
2034	2034	2034	Grendon/Huntingdon Interconnector		39261.85	2.66	2.66
7015	7015	7015	Corby Power generation				
7315	7315	7315	Redfield Road 1 STOR		71.27	0.95	0.95
7324	7324	7324	Trafalgar Pk Gas STOR	3.449	76.58	1.49	1.49
7326	7326	7326	Redfield Road B STOR		439.07	0.91	0.91
7443	7443	7443	Derby Power Station		8.70	3.26	3.26
New Import 1	New Import 1	New Import 1	A019 Cotmoor		448.95	0.74	0.74
New Import 2	New Import 2	New Import 2	Althorp Estate	1.497	179.07	1.85	1.85

Note: The list of MPANs / MSIDs provided may be incomplete; the DNO reserves the right to apply the listed charges to any other MPANs / MSIDs associated with the site.

Annex 2a - Schedule of Import Charges for use of the Distribution System by Designated EHV Properties (including LDNOs with Designated EHV Properties/end-users).

Import Unique Identifier	LLFC/DUoS Tariff Id	Import MPANs/MSIDs	Name	Import Super Red unit charge (p/kWh)	Import fixed charge (p/day)	Import capacity charge (p/kVA/day)	Import exceeded capacity charge (p/kVA/day)
New Import 3	New Import 3	New Import 3	Asfordby B STOR		47982.76	1.12	1.12
New Import 4	New Import 4	New Import 4	Aston Flamville, Hinckley	0.240	18.25	2.15	2.15
New Import 5	New Import 5	New Import 5	Averham Leazes		3442.62	0.94	0.94
New Import 6	New Import 6	New Import 6	Barn Farm		1581.21	0.74	0.74
New Import 7	New Import 7	New Import 7	Belvoir PV		4.48	1.15	1.15
New Import 8	New Import 8	New Import 8	Brackley Solar Farm, Blackpits Recycling Centre	0.963	10.51	1.22	1.22
New Import 9	New Import 9	New Import 9	Breach Farm 132		609.23	0.71	0.71
New Import 10	New Import 10	New Import 10	Brecks Farm, Brick Yard Road		17.37	2.16	2.16
New Import 11	New Import 11	New Import 11	Bridge Street ESS & PV		38.68	1.86	1.86
New Import 12	New Import 12	New Import 12	Brigstock		5.24	2.30	2.30
New Import 13	New Import 13	New Import 13	Bulwell Data Centre IDNO	2.831	16270.12	1.26	1.26
New Import 14	New Import 14	New Import 14	Burnt Thorns Farm, Kilsby Lane	0.240	8.36	1.84	1.84
New Import 15	New Import 15	New Import 15	By Pass Farm, Great North Road		8.19	1.15	1.15
New Import 16	New Import 16	New Import 16	Canal Solar Farm, Elms Farm	0.245	146.14	1.91	1.91
New Import 17	New Import 17	New Import 17	Castle Gresley IDNO		438.41	1.72	1.72
New Import 18	New Import 18	New Import 18	Caudwell Farm		45.57	5.91	5.91
New Import 19	New Import 19	New Import 19	Chelveston Renewable Energy Park	1.562	19707.48	2.19	2.19
New Import 20	New Import 20	New Import 20	Cogenhoe BESS IDNO		448.95	1.56	1.56
New Import 21	New Import 21	New Import 21	Corby Power Station		40681.99	1.32	1.32
New Import 22	New Import 22	New Import 22	Corley Solar Farm, Breach Oak Lane	0.240	16.55	3.22	3.22
New Import 23	New Import 23	New Import 23	Costock Solar Farm		6.25	1.15	1.15
New Import 24	New Import 24	New Import 24	Cranford Hall		2185.88	2.11	2.11
New Import 25	New Import 25	New Import 25	Drakelow Power Station 4		5028.33	0.57	0.57
New Import 26	New Import 26	New Import 26	Dunsford Road (Alfreton PV)		11.45	1.60	1.60
New Import 27	New Import 27	New Import 27	East Midlands Gateway Ext IDNO		35699.25	1.20	1.20
New Import 28	New Import 28	New Import 28	East Sulgrave		140.44	1.88	1.88
New Import 29	New Import 29	New Import 29	East Wood End, Milton Keynes		4.07	2.35	2.35
New Import 30	New Import 30	New Import 30	Eastcroft EfW		1084.41	0.94	0.94
New Import 31	New Import 31	New Import 31	Eden Meadows ESS & PV		448.95	1.15	1.15
New Import 32	New Import 32	New Import 32	EMIP Etwal IDNO	3.641	35699.25	1.95	1.95
New Import 33	New Import 33	New Import 33	Exton Estate Solar Farm, Barnsdale Avenue		69.40	2.30	2.30
New Import 34	New Import 34	New Import 34	Fairham Business Park Unit 4 IDNO			0.71	0.71
New Import 35	New Import 35	New Import 35	Friskerton Solar Farm, Reepham Road		21.39	1.22	1.22

Note: The list of MPANs / MSIDs provided may be incomplete; the DNO reserves the right to apply the listed charges to any other MPANs / MSIDs associated with the site.

Annex 2a - Schedule of Import Charges for use of the Distribution System by Designated EHV Properties (including LDNOs with Designated EHV Properties/end-users).

Import Unique Identifier	LLFC/DUoS Tariff Id	Import MPANs/MSIDs	Name	Import Super Red unit charge (p/kWh)	Import fixed charge (p/day)	Import capacity charge (p/kVA/day)	Import exceeded capacity charge (p/kVA/day)
New Import 36	New Import 36	New Import 36	Garendon and Broadbrook IDNO		35699.25	2.22	2.22
New Import 37	New Import 37	New Import 37	Glaston Road, Oakham	1.497	28.10	1.22	1.22
New Import 38	New Import 38	New Import 38	Grantham Solar Farm		4287.76	0.71	0.71
New Import 39	New Import 39	New Import 39	Grendon BESS Farm IDNO		8920.80	1.49	1.49
New Import 40	New Import 40	New Import 40	Grendon Lakes		448.95	2.26	2.26
New Import 41	New Import 41	New Import 41	Harrington Road 20MVA Demand	1.649	18037.51	2.52	2.52
New Import 42	New Import 42	New Import 42	Hasland Solar Farm		15.19	1.05	1.05
New Import 43	New Import 43	New Import 43	Hawkins Lane, Burton on Trent		823.35	1.16	1.16
New Import 44	New Import 44	New Import 44	Hinckley Rail freight terminal	0.263	18037.51	2.23	2.23
New Import 45	New Import 45	New Import 45	Hinckley Road, Kirby Muxloe IDNO	0.649	7009.75	1.91	1.91
New Import 46	New Import 46	New Import 46	Hydes Lane	0.250	448.95	1.64	1.64
New Import 47	New Import 47	New Import 47	Inkersall Road ESS & PV		21765.66	1.31	1.31
New Import 48	New Import 48	New Import 48	Isley Walton IDNO	3.641	35699.25	2.03	2.03
New Import 49	New Import 49	New Import 49	J162 Waterleys Farm	1.562	448.95	0.75	0.75
New Import 50	New Import 50	New Import 50	Kilsby Road	0.240	131.99	1.77	1.77
New Import 51	New Import 51	New Import 51	Kingston Solar		1.80	1.15	1.15
New Import 52	New Import 52	New Import 52	Kisses Barn Farm	1.752	223.39	1.22	1.22
New Import 53	New Import 53	New Import 53	Land at Langer Lane ESS & PV		80.44	1.92	1.92
New Import 54	New Import 54	New Import 54	Land on Cauldwell Road		6631.11	0.61	0.61
New Import 55	New Import 55	New Import 55	Limes Farm	6.233	7.41	1.22	1.22
New Import 56	New Import 56	New Import 56	Little Morton Farm		502.57	1.30	1.30
New Import 57	New Import 57	New Import 57	Little Oak Drive		39625.44	2.90	2.90
New Import 58	New Import 58	New Import 58	Lower Farm, Bishops Itchington	1.831	5.26	1.88	1.88
New Import 59	New Import 59	New Import 59	Mallows Lane ESS & PV	6.366	121.19	0.98	0.98
New Import 60	New Import 60	New Import 60	Manor Farm, Whitfield	0.963	77.57	0.71	0.71
New Import 61	New Import 61	New Import 61	Markham Vale IDNO		1464.91	0.61	0.61
New Import 62	New Import 62	New Import 62	Middle Farm Road		12.50	2.52	2.52
New Import 63	New Import 63	New Import 63	Mill Farm, Cotes		0.82	2.24	2.24
New Import 64	New Import 64	New Import 64	Milton Keynes East Development IDNO	1.054	35699.25	1.41	1.41
New Import 65	New Import 65	New Import 65	Mixed Development, Nottingham Island, Manvers Street, Nottingham IDNO	3.281	16270.12	0.93	0.93
New Import 66	New Import 66	New Import 66	Moreton Morrell Solar	1.831	4.24	2.42	2.42
New Import 67	New Import 67	New Import 67	N0016984, Stanton Cross Route 10 IDNO	1.649	36233.58	2.99	2.99
New Import 68	New Import 68	New Import 68	New Stanton Park IDNO	3.641	35699.25	2.67	2.67
New Import 69	New Import 69	New Import 69	Newlands THA Dist. Park 11MVA IDNO	1.649	7009.75	2.32	2.32

Note: The list of MPANs / MSIDs provided may be incomplete; the DNO reserves the right to apply the listed charges to any other MPANs / MSIDs associated with the site.

Annex 2a - Schedule of Import Charges for use of the Distribution System by Designated EHV Properties (including LDNOs with Designated EHV Properties/end-users).

Import Unique Identifier	LLFC/DUoS Tariff Id	Import MPANs/MSIDs	Name	Import Super Red unit charge (p/kWh)	Import fixed charge (p/day)	Import capacity charge (p/kVA/day)	Import exceeded capacity charge (p/kVA/day)
New Import 70	New Import 70	New Import 70	Newton Wood Farm ESS		861.10	0.83	0.83
New Import 71	New Import 71	New Import 71	Normanton Larches Solar		9.07	1.15	1.15
New Import 72	New Import 72	New Import 72	Northampton Gateway IDNO	1.497	35699.25	1.49	1.49
New Import 73	New Import 73	New Import 73	Northampton Gateway PV IDNO	1.497		1.49	1.49
New Import 74	New Import 74	New Import 74	Oakley Bushes Solar Farm 1		8.89	2.30	2.30
New Import 75	New Import 75	New Import 75	Oakley Bushes Solar Farm 2		8.89	2.30	2.30
New Import 76	New Import 76	New Import 76	Overstone Green POC including 33kV works	1.649	7561.00	1.84	1.84
New Import 77	New Import 77	New Import 77	Persimmon Homes Northampton IDNO	1.649	16270.12	1.49	1.49
New Import 78	New Import 78	New Import 78	Pistern Hills Farm		23818.86	3.38	3.38
New Import 79	New Import 79	New Import 79	Poole Farm, Barrow Road		1.81	2.24	2.24
New Import 80	New Import 80	New Import 80	Pot Ash Farm	0.963	3.18	2.67	2.67
New Import 81	New Import 81	New Import 81	Potterspury Solar Farm, land north of Potterspury	0.963	105.87	2.34	2.34
New Import 82	New Import 82	New Import 82	Project Winehouse IDNO	1.649	16270.12	1.34	1.34
New Import 83	New Import 83	New Import 83	Pyghtle Farm, Wicken Park Road, Wicken, Milton Keynes	0.963	117.62	2.67	2.67
New Import 84	New Import 84	New Import 84	Queen's Medical Centre IDNO		35699.25	1.41	1.41
New Import 85	New Import 85	New Import 85	Red Bull IDNO	1.054	16270.12	1.39	1.39
New Import 86	New Import 86	New Import 86	Rothersthorpe, Milton Road	1.497	30.34	1.56	1.56
New Import 87	New Import 87	New Import 87	Royle Farm		1937.25	0.71	0.71
New Import 88	New Import 88	New Import 88	Sherbourne Farm Solar	1.831	147.23	2.42	2.42
New Import 89	New Import 89	New Import 89	Shirebrook Wind Farm	0.812	3.46	0.92	0.92
New Import 90	New Import 90	New Import 90	Shireoaks Hall Farm PV		9.00	1.22	1.22
New Import 91	New Import 91	New Import 91	Smart Parc IDNO	3.641	35699.25	2.85	2.85
New Import 92	New Import 92	New Import 92	SmartParc G99 applicatio IDNO	3.290		2.74	2.74
New Import 93	New Import 93	New Import 93	Soars Lodge Farm		17.64	1.60	1.60
New Import 94	New Import 94	New Import 94	Sparrow Lodge Farm, Wicken Park Road	0.963	0.91	2.67	2.67
New Import 95	New Import 95	New Import 95	Staveley Ironworks		30787.92	1.25	1.25
New Import 96	New Import 96	New Import 96	Staveley Works		128.09	0.94	0.94
New Import 97	New Import 97	New Import 97	Stourton Estate		14.72	1.15	1.15
New Import 98	New Import 98	New Import 98	Stow Park Farm ESS & PV		70.70	1.15	1.15
New Import 99	New Import 99	New Import 99	Sudbury Estate		448.95	3.48	3.48
New Import 100	New Import 100	New Import 100	Swadlingcote, Depot 3 off Cadley Hill Road		2293.85	1.98	1.98

Note: The list of MPANs / MSIDs provided may be incomplete; the DNO reserves the right to apply the listed charges to any other MPANs / MSIDs associated with the site.

Annex 2a - Schedule of Import Charges for use of the Distribution System by Designated EHV Properties (including LDNOs with Designated EHV Properties/end-users).

Import Unique Identifier	LLFC/DUoS Tariff Id	Import MPANs/MSIDs	Name	Import Super Red unit charge (p/kWh)	Import fixed charge (p/day)	Import capacity charge (p/kVA/day)	Import exceeded capacity charge (p/kVA/day)
New Import 101	New Import 101	New Import 101	Thornton Solar Farm		7.14	0.91	0.91
New Import 102	New Import 102	New Import 102	Thorpe Constantine Solar		2.69	1.59	1.59
New Import 103	New Import 103	New Import 103	Thrapston Commercial Park 12MVA IDNO	1.649	16270.12	2.32	2.32
New Import 104	New Import 104	New Import 104	Thurlaston Estate Solar Farm		21.13	1.60	1.60
New Import 105	New Import 105	New Import 105	Toldish Hall PV	0.240	19.28	2.35	2.35
New Import 106	New Import 106	New Import 106	Vauls Farm PV	0.240	21.39	2.35	2.35
New Import 107	New Import 107	New Import 107	Vicarage Drove		1593.80	0.61	0.61
New Import 108	New Import 108	New Import 108	Vicarage Farm	1.562	448.95	2.82	2.82
New Import 109	New Import 109	New Import 109	Washdyke Farm		60.84	1.22	1.22
New Import 110	New Import 110	New Import 110	Watling Street	0.263	18037.51	2.19	2.19
10500	10500	10500	Watnall Brickworks IDNO	1.849	1.07	0.78	0.78
New Import 112	New Import 112	New Import 112	Welby Road BESS		448.95	1.82	1.82
New Import 113	New Import 113	New Import 113	Wetmore Hall Farm IDNO			0.87	0.87
New Import 114	New Import 114	New Import 114	Whaley Solar		94.75	1.22	1.22
New Import 115	New Import 115	New Import 115	Willbrook Industrial Estate Phase 2, Shelton Road, Corby	1.681	1015.52	1.59	1.59
New Import 116	New Import 116	New Import 116	Winkburn Estate BESS		39710.81	1.01	1.01
New Import 117	New Import 117	New Import 117	Winster PV, Ivonbrook Farm	0.065		1.61	1.61
New Import 118	New Import 118	New Import 118	Wistow Lodge PV, Leicester Road		164.43	1.60	1.60
New Import 119	New Import 119	New Import 119	Wood Lodge Farm	1.497	588.12	1.54	1.54

Note: The list of MPANs / MSIDs provided may be incomplete; the DNO reserves the right to apply the listed charges to any other MPANs / MSIDs associated with the site.

**National Grid Electricity Distribution (East Midlands) plc - Effective from 1 April 2027 - Final Designated EHV export**

Export Unique Identifier	LLFC/DUoS Tariff Id	Export MPANs/MSIDs	Name	Export Super Red unit charge (p/kWh)	Export fixed charge (p/day)	Export capacity charge (p/kVA/day)	Export exceeded capacity charge (p/kVA/day)
479	479	1170000982207	Lyon Road Gas Gen	-1.862	1672.51	0.05	0.05
480	480	1170001003928	Asher Lane 33kV STOR	-0.534	356.85	0.05	0.05
481	481	1170001052181	Spondon Peaking STOR	-9.270	536.92	0.05	0.05
483	483	1170001154343	Churchover solar farm new		2287.52	0.05	0.05
484	484	1170001200887	Hall Farm Site PV 2		172.06	0.05	0.05
485	485	1170001247403	Back Lane ESS	-1.234	750.21	0.05	0.05
486	486	1170001302515	Thornton Estate, Weighbridge Road	-0.945	546.73	0.05	0.05
487	487	1170001326311	Battery Ln Boston ESS	-6.675	181.79	0.05	0.05
488	488	1170001342590	Willowbrook Industrial Estate	-2.063	4806.93	0.05	0.05
489	489	1170001402799	Fiskerton Airfield		893.44	0.05	0.05
490	490	1170001415733	Whitecross Lane PV Park		4537.96	0.05	0.05
491	491	1170001443128	Streetfield Farm Watling PV		1893.65	0.05	0.05
492	492	1170001544448	Gorse Lane Solar		5958.61	0.05	0.05
493	493	1170001544642	Gorse Lane Solar Ext		5958.43	0.05	0.05
497	497	1170001694598	Highgrounds STOR	-0.660	3821.72	0.05	0.05
498	498	1170001689844	Hayton Lakes Battery		200.16	0.05	0.05
499	499	1170001697960	Hayton Lakes PV		398.04	0.05	0.05
500	500	1170001813110	Manor Farm		2645.05	0.05	0.05
501	501	1170001815437	Potash Farm A ESS	-1.031	3449.50	0.05	0.05
502	502	1170001777784	Potash Farm B ESS	-1.031	3449.50	0.05	0.05
504	504	1170001821556	Adstock Solar Farm, Addington		732.19	0.05	0.05
505	505	1170001869414	Eastfields Solar	-2.857	2070.54	0.05	0.05
506	506	1170002051922	Chapel Street, Stapleton		400.74	0.05	0.05
507	507	1170002064452	Manor Fam Bourton		1055.75	0.05	0.05
509	509	1170002076397	Newbold Pacey, Newbold Road		359.98	0.05	0.05
510	510	1170002082595	Harborough Fields Farm		3367.40	0.05	0.05
511	511	1170002107594	Private Rd No5 Colwick	-3.212	25.07	0.05	0.05
514	514	1170001889908	Inkersall Farm PV		6122.30	0.05	0.05
515	515	1170002171891	Chestnut Farm	-1.764	329.61	0.05	0.05
516	516	1170002225873	Osberton Solar		1110.12	0.05	0.05
517	517	1170002229558	Astley Gorse Solar		489.45	0.05	0.05
519	519	1170002296049	Moor Lane Solar Farm		846.06	0.05	0.05
520	520	1170002269426	Rolleston Park 2		984.63	0.05	0.05

Note: The list of MPANs / MSIDs provided may be incomplete; the DNO reserves the right to apply the listed charges to any other MPANs / MSIDs associated with the site.

Annex 2b - Schedule of Export Charges for use of the Distribution System by Designated EHV Properties (including LDNOs with Designated EHV Properties/end-users).

Export Unique Identifier	LLFC/DUoS Tariff Id	Export MPANs/MSIDs	Name	Export Super Red unit charge (p/kWh)	Export fixed charge (p/day)	Export capacity charge (p/kVA/day)	Export exceeded capacity charge (p/kVA/day)
452	452	1170001236856	Branston Potato Farm		22152.07	0.05	0.05
453	453	1170001326297	Cotham Grange 132 PV		945.72	0.05	0.05
454	454	1170001439725	Newhurst ERF 132 EFW		19297.70	0.05	0.05
455	455	1170001495989	Grafton Underwood		895.89	0.05	0.05
456	456	1170001534820	Desford Road BESS 132	-0.635	448.95	0.05	0.05
457	457	1170001675113	Crick Road Solar Plant		1056.76	0.05	0.05
458	458	1170001876003	Land at Low Farm		943.90	0.05	0.05
459	459	1170001991754	Inkersall Grange Farm Bilsthorpe PV		880.27	0.05	0.05
460	460	1170001991693	Land at Crifton Lodge Farm Bilsthorpe PV		1239.74	0.05	0.05
461	461	1170002121710	Land at Ash Farm ESS & PV		2479.24	0.05	0.05
462	462	1170002125715	Halloughton Solar Farm Southwell		29200.65	0.05	0.05
463	463	1170002144763	Bagworth Road, Newbold Verdon		893.43	0.05	0.05
464	464	1170002166697	Winkburn Solar		889.02	0.05	0.05
465	465	1170002175530	Ashorne Solar	-1.920	748.01	0.05	0.05
466	466	1170002199293	Copse Lodge Solar Farm		893.43	0.05	0.05
275	275	1170002070605	Haunton Manor Farm Solar Project		889.71	0.05	0.05
276	276	1170002109796	Gonerby Moor PV		1166.83	0.05	0.05
277	277	117000299350	Longmoor Solar, Castle View Road		891.65	0.05	0.05
367	367	1170000480699	Yew Tree Farm PV		360.58	0.05	0.05
368	368	1170000487151	Cobb Farm Egmanton PV		1012.91	0.05	0.05
369	369	1170000530969	Kelmarsh Wind Farm		11674.35	0.05	0.05
371	371	1170000549240	Copley Farm PV Claypole		1576.87	0.05	0.05
372	372	1170000549278	Greatmoor EFW Calvert	-1.031	8826.30	0.05	0.05
373	373	1170000559860	Lodge Farm (Calow) PV		395.12	0.05	0.05
374	374	1170000569850	Arkwright Solar PV		1629.98	0.05	0.05
377	377	1170000579928	Averill Farm PV		2309.17	0.05	0.05
378	378	1170000582708	Marchington Solar PV		440.56	0.05	0.05
379	379	1170000586508 1170000591702	West End Fm Treswell PV		501.94	0.05	0.05
380	380	1170000586614	Fields Farm Southam PV		403.90	0.05	0.05
381	381	1170000587282	Canopus Farm PV		468.86	0.05	0.05
382	382	1170000594270	Lindridge Farm PV		359.05	0.05	0.05
383	383	1170000594173	Thornborough Grnds PV		948.60	0.05	0.05
384	384	1170000592237	Wymeswold Narrow Lane PV		756.27	0.05	0.05
385	385	1170000598043	Manor Farm Horton PV		1501.90	0.05	0.05

Note: The list of MPANs / MSIDs provided may be incomplete; the DNO reserves the right to apply the listed charges to any other MPANs / MSIDs associated with the site.

Annex 2b - Schedule of Export Charges for use of the Distribution System by Designated EHV Properties (including LDNOs with Designated EHV Properties/end-users).

Export Unique Identifier	LLFC/DUoS Tariff Id	Export MPANs/MSIDs	Name	Export Super Red unit charge (p/kWh)	Export fixed charge (p/day)	Export capacity charge (p/kVA/day)	Export exceeded capacity charge (p/kVA/day)
386	386	1170000598201	Handley Park Farm PV		788.59	0.05	0.05
387	387	1170000601991	Shelton Lodge PV		3110.34	0.05	0.05
388	388	1170000604050	Brafield on the Green PV		3429.87	0.05	0.05
389	389	1170000605240	Sywell PV		4388.46	0.05	0.05
390	390	1170000615007	Holtwood Farm PV		1226.29	0.05	0.05
391	391	1170000614981	Drakelow Farm PV		995.19	0.05	0.05
392	392	1170000619925	Stragglethorpe Rd PV		3446.34	0.05	0.05
393	393	1170000627457	Oxcroft Solar Farm PV		3867.37	0.05	0.05
394	394	1170000626825	Derby Waste Sinfon EFW	-4.680	2631.06	0.05	0.05
395	395	1170000625690	Littlewood Farm PV		401.47	0.05	0.05
396	396	1170000630422	Twin Yards Farm PV		2557.53	0.05	0.05
397	397	1170000629659	Tower Hayes Farm PV		997.65	0.05	0.05
398	398	1170000632615	The Breck Solar PV		2021.36	0.05	0.05
399	399	1170000631435	Barnby Moor Retford PV		3285.03	0.05	0.05
400	400	1170000636512	Lincoln Farm PV		868.93	0.05	0.05
401	401	1170000652018	Drakelow Renewable BIO	-2.610	293.81	0.05	0.05
403	403	1170000641489	Mill Fm Gt Ponton PV		2999.14	0.05	0.05
405	405	1170000671109	Deepdale Solar Fm PV		865.73	0.05	0.05
406	406	1170000671127	Burton Wolds South WF		361.52	0.05	0.05
409	409	1170000677280	Gawcott Flds PV Commercial		193.35	0.05	0.05
410	410	1170000677305	Gawcott Flds PV Community		221.67	0.05	0.05
412	412	1170000722757	John Brookes Sawmill BIO	-1.764	7264.58	0.05	0.05
413	413	1170000724008	Hawton Wind Farm WF		2172.94	0.05	0.05
415	415	1170000727230 1170000730001	Garnham Close STOR	-0.534	1435.44	0.05	0.05
435	435	1170000893898	RAF Cranwell High G		2.49	0.05	0.05
418	418	1170000751474	Hermitage Lane STOR	-0.945	359.09	0.05	0.05
419	419	1170000759687	Fosse Way Radford Sem PV		4799.27	0.05	0.05
420	420	1170000761659	Meadow Fm Thorpe Lang PV		952.76	0.05	0.05
421	421	1170000768566	Olney Hyde Farm PV		3712.96	0.05	0.05
422	422	1170000772465	Dayfields Farm PV		2011.43	0.05	0.05
423	423	1170000775721	Bolsovermoor Quarry PV		926.28	0.05	0.05
424	424	1170000775350	Bilsthorpe PV		4482.55	0.05	0.05
426	426	1170000783314	Sutton Bonnington PV		700.95	0.05	0.05
428	428	1170000790250	Green Lane Marchington PV		708.34	0.05	0.05

Note: The list of MPANs / MSIDs provided may be incomplete; the DNO reserves the right to apply the listed charges to any other MPANs / MSIDs associated with the site.

Annex 2b - Schedule of Export Charges for use of the Distribution System by Designated EHV Properties (including LDNOs with Designated EHV Properties/end-users).

Export Unique Identifier	LLFC/DUoS Tariff Id	Export MPANs/MSIDs	Name	Export Super Red unit charge (p/kWh)	Export fixed charge (p/day)	Export capacity charge (p/kVA/day)	Export exceeded capacity charge (p/kVA/day)
429	429	1170000807151	Baddesley Park PV		573.48	0.05	0.05
430	430	1170000807170	Baddesley Pk Biomass	-1.899	2310.64	0.05	0.05
431	431	1170000859007	Taylor Lane 33kV STOR	-5.150	356.52	0.05	0.05
432	432	1170000871324	Hill Farm ESS	-2.161	2085.38	0.05	0.05
433	433	1170000871139	Leverton ESS		181.79	0.05	0.05
434	434	1170000884095	Nottingham Rd STOR		2248.12	0.05	0.05
436	436	1170000895733	Breach Farm ESS	-2.610	2738.40	0.05	0.05
437	437	1170000902638	Boston Biomass Gen AD	-6.675	311.64	0.05	0.05
438	438	1170000928974	Twin Oaks Diesel STOR	-1.961	562.76	0.05	0.05
439	439	1170000939920	Colwick Private Rd STOR	-3.212	308.61	0.05	0.05
440	440	1170000953553	Mill Fm Caythorpe ESS		270.33	0.05	0.05
705	705	1170000447725	Prestop Park Farm PV		362.30	0.05	0.05
706	706	1170000447488	Smith Hall Farm Solar		680.49	0.05	0.05
707	707	1170000447502	Park Farm Solar Ashby		4026.85	0.05	0.05
708	708	1170000451439	Aston House Solar Farm		2577.96	0.05	0.05
710	710	1170000457626	Elms Farm Solar Farm		407.51	0.05	0.05
711	711	1170000458569	Morton Solar Farm		599.58	0.05	0.05
712	712	1170000463160	Glebe Farm Podington PV		7082.09	0.05	0.05
713	713	1170000468024	Rolleston Park Solar		1384.42	0.05	0.05
714	714	1170000467581	Nowhere Farm PV		1718.32	0.05	0.05
716	716	1170000467527	Chelveston Renewable PV	-3.688	4067.12	0.05	0.05
717	717	1170000474107	Horsemoor Drove Solar		3677.62	0.05	0.05
718	718	1170000474445	Decoy Farm Crowland PV		355.13	0.05	0.05
720	720	1170000474409	Decoy Farm Crowland AD	-9.150	340.86	0.05	0.05
600	600		Network Rail Bytham				
601	601	1100050641453	Network Rail Grantham		4253.21	0.05	0.05
602	602	1100050106971	Network Rail Staythorpe		33.66	0.05	0.05
603	603	1100050314637 1100770450945	Network Rail Retford		1947.15	0.05	0.05
684	684	1170000817034	University of Warwick		85.53	0.05	0.05
416	416	1170000730127	Bombardier		4077.76	0.05	0.05
496	496	1170001662513	GEC Alsthom		113.65	0.05	0.05
635	635	1160001236229	Petsoe Wind Farm		8704.93	0.05	0.05
700	700	1170000330966	Castle Cement		215.81	0.05	0.05
632	632	1100050222604	Coventry & Solihull Waste	-2.164	825.78	0.05	0.05

Note: The list of MPANs / MSIDs provided may be incomplete; the DNO reserves the right to apply the listed charges to any other MPANs / MSIDs associated with the site.

Annex 2b - Schedule of Export Charges for use of the Distribution System by Designated EHV Properties (including LDNOs with Designated EHV Properties/end-users).

Export Unique Identifier	LLFC/DUoS Tariff Id	Export MPANs/MSIDs	Name	Export Super Red unit charge (p/kWh)	Export fixed charge (p/day)	Export capacity charge (p/kVA/day)	Export exceeded capacity charge (p/kVA/day)
611	611	1170000014584	Bentinck Generation	-2.032	765.38	0.05	0.05
640	640	1160001479030	Asfordby 132kV		50890.80	0.05	0.05
612	612	1100770095541 1130000014463	Calvert Landfill EFW	-0.361	129.30	0.05	0.05
613	613	1100770104693	Weldon Landfill				
614	614	1100770099927	Goosy Lodge Power				
615	615	1160000226336	Burton Wolds Wind Farm				
616	616		Network Rail Bretton				
617	617	1100770683377	Bambers Farm Wind Farm				
618	618	1160000213610	Vine House Wind Farm				
619	619	1160000154160	Red House Wind Farm				
620	620	1160000186560	Daneshill Landfill				
621	621	1130000079897 1160000745066	Newton Longville Landfill	-1.286	1807.49	0.05	0.05
622	622	1160000909840	Hollies Wind Farm		414.51	0.05	0.05
629	629	1130000044013	Lynn Wind Farm				
630	630	1130000044031	Inner Dowsing Wind Farm				
631	631	1160000999046	Bicker Fen Wind Farm		4080.06	0.05	0.05
634	634	1100050222473	London Road Heat Station	-0.333	379.09	0.05	0.05
633	633	1160001253321	Lindhurst Wind Farm		6242.05	0.05	0.05
636	636	1100050222464	Boots Thane Road	-0.333	4163.14	0.05	0.05
608	608	1100050222446	QMC				
New Export 120	New Export 120	New Export 120	Holbrook Works		173.40	0.05	0.05
637	637	1160001059394	B&Q Manton		100.78	0.05	0.05
638	638	1160001363380	Low Spinney Wind Farm	-0.423	7163.82	0.05	0.05
639	639	1160001457408	Swinford Wind Farm		6222.54	0.05	0.05
641	641	1170000117980	Yelvertoft Wind Farm		4502.67	0.05	0.05
650	650	1170000199798	Burton Wolds Wind Farm phase 2		7186.41	0.05	0.05
651	651	1170000137588	Shacks Barn PV		683.52	0.05	0.05
642	642	1170000112486	North Hykeham EFW		305.32	0.05	0.05
643	643	1160001415356	Sleaford Renewable Energy Plant	-6.675	85687.31	0.05	0.05
644	644	1170000059186	Bilsthorpe Wind Farm		481.91	0.05	0.05
645	645	1170000117953	Old Dalby Lodge Wind Farm		661.77	0.05	0.05
652	652	1170000146680	Willoughby STOR generation	-1.764	290.69	0.05	0.05

Note: The list of MPANs / MSIDs provided may be incomplete; the DNO reserves the right to apply the listed charges to any other MPANs / MSIDs associated with the site.

Annex 2b - Schedule of Export Charges for use of the Distribution System by Designated EHV Properties (including LDNOs with Designated EHV Properties/end-users).

Export Unique Identifier	LLFC/DUoS Tariff Id	Export MPANs/MSIDs	Name	Export Super Red unit charge (p/kWh)	Export fixed charge (p/day)	Export capacity charge (p/kVA/day)	Export exceeded capacity charge (p/kVA/day)
647	647	1170000110610	The Grange Wind Farm		7089.85	0.05	0.05
648	648	1170000111890	Clay Lake STOR	-9.150	181.79	0.05	0.05
649	649	1170000113452	Balderton STOR		359.98	0.05	0.05
653	653	1170000172963	Wymeswold Solar Park		6353.29	0.05	0.05
654	654	1170000722701	French Farm Wind Farm		7712.00	0.05	0.05
646	646	1170000398495	Lilbourne Wind Farm		7842.36	0.05	0.05
655	655	1170000154547	Chelveston Renewable		352.76	0.05	0.05
656	656	1170000174836	Beachampton Solar Farm		395.31	0.05	0.05
657	657	1170000182970	Croft End Solar Farm		921.90	0.05	0.05
658	658	1170000233570	M1 Wind farm		354.09	0.05	0.05
660	660	1170000280117	Low Farm Anaerobic Dig	-0.427	1822.41	0.05	0.05
691	691	1170000280970	Turweston Airfield Solar Farm		937.69	0.05	0.05
692	692	1170000281193	Burton Pedwardine Solar		650.03	0.05	0.05
693	693	1170000306918	Little Morton Farm Solar		756.33	0.05	0.05
694	694	1170000306893	Lodge Farm Solar Park		1244.90	0.05	0.05
695	695	1170000313171	Ermine Farm PV		3528.56	0.05	0.05
696	696	1170000319243	Ridge Solar Park		359.98	0.05	0.05
697	697	1170000325292	Winwick Wind Farm		3350.20	0.05	0.05
698	698	1170000325317	Watford Lodge Wind Farm		6665.37	0.05	0.05
699	699	1170000326463	Leverton Solar Park		419.81	0.05	0.05
701	701	1170000337517	Burton Pedwardine Phase 2		827.52	0.05	0.05
702	702	1170000369086	Hartwell Solar Farm		5444.30	0.05	0.05
703	703	1170000369110	Eakley Lanes Solar North		361.92	0.05	0.05
704	704	1170000369147	Eakley Lanes Solar South	-1.649	492.43	0.05	0.05
661	661	1170000388752	Welbeck Colliery PV		580.83	0.05	0.05
662	662	1170000394979	Newton Road PV		6115.75	0.05	0.05
663	663	1170000395963	New Albion Wind Farm		6149.69	0.05	0.05
664	664	1170000400781	Moat Farm PV		858.17	0.05	0.05
665	665	1170000407884	Bilsthorpe Solar		1451.38	0.05	0.05
666	666	1170000409701	Hall Farm Site PV 1		172.10	0.05	0.05
667	667	1170000415955	Gaultney Solar Park		450.14	0.05	0.05
668	668	1170000413708	Fiskerton Solar Farm		362.37	0.05	0.05
669	669	1170000424913	Mount Mill Solar Park		1255.04	0.05	0.05
670	670	1170000427180	Podington Airfield WF		8522.16	0.05	0.05
671	671	1170000428537	Branston South PV Farm		1897.00	0.05	0.05
672	672	1170000430191	Eakring Solar Farm		592.86	0.05	0.05

Note: The list of MPANs / MSIDs provided may be incomplete; the DNO reserves the right to apply the listed charges to any other MPANs / MSIDs associated with the site.

Annex 2b - Schedule of Export Charges for use of the Distribution System by Designated EHV Properties (including LDNOs with Designated EHV Properties/end-users).

Export Unique Identifier	LLFC/DUoS Tariff Id	Export MPANs/MSIDs	Name	Export Super Red unit charge (p/kWh)	Export fixed charge (p/day)	Export capacity charge (p/kVA/day)	Export exceeded capacity charge (p/kVA/day)
673	673	1170000439886	Ragdale PV Solar Park		3068.26	0.05	0.05
674	674	1170000438321	Thoresby Solar Farm		1119.69	0.05	0.05
675	675	1170000437220	Welbeck Solar Farm		2474.74	0.05	0.05
676	676	1170000444681	Atherstone Solar Farm		1103.59	0.05	0.05
677	677	1170000445133	Babworth Estate PV Farm		707.00	0.05	0.05
679	679	1170000446606	Homestead Farm Solar Park		1258.95	0.05	0.05
680	680	1170000447042	Grange Solar Farm		378.02	0.05	0.05
2034	2034	2034	Grendon/Huntingdon Interconnector				
7015	7015	7015	Corby Power generation	-1.612	1420.14	0.05	0.05
7316	7316	7316	Redfield Road 1 STOR	-0.333	1860.28	0.05	0.05
7325	7325	7325	Trafalgar Pk Gas STOR	-4.680	1776.70	0.05	0.05
7327	7327	7327	Redfield Road B STOR	-0.333	2182.80	0.05	0.05
7444	7444	7444	Derby Power Station				
370	370	1170000535113	Pebble Hall Farm AD	-1.612	165.26	0.05	0.05
375	375	1170000579254	Langar Commercial PV		164.26	0.05	0.05
404	404	1170000645118	Welland Bio Power Exp	-1.612	165.26	0.05	0.05
417	417	1170000740808	Langar PV Community		164.26	0.05	0.05
New Export 1	New Export 1	New Export 1	A019 Cotmoor		448.95	0.05	0.05
New Export 2	New Export 2	New Export 2	Althorp Estate		14683.73	0.05	0.05
New Export 3	New Export 3	New Export 3	Asfordby B STOR		47982.76	0.05	0.05
New Export 4	New Export 4	New Export 4	Aston Flamville, Hinckley		4056.28	0.05	0.05
New Export 5	New Export 5	New Export 5	Averham Leazes		3408.47	0.05	0.05
New Export 6	New Export 6	New Export 6	Barn Farm		1377.41	0.05	0.05
New Export 7	New Export 7	New Export 7	Belvoir PV		893.43	0.05	0.05
New Export 8	New Export 8	New Export 8	Brackley Solar Farm, Blackpits Recycling Centre		4202.43	0.05	0.05
New Export 9	New Export 9	New Export 9	Breach Farm 132		609.23	0.05	0.05
New Export 10	New Export 10	New Export 10	Brecks Farm, Brick Yard Road		5991.93	0.05	0.05
New Export 11	New Export 11	New Export 11	Bridge Street ESS & PV	-1.234	324.90	0.05	0.05
New Export 12	New Export 12	New Export 12	Brigstock		892.67	0.05	0.05
New Export 14	New Export 14	New Export 14	Burnt Thorns Farm, Kilsby Lane		355.22	0.05	0.05
New Export 15	New Export 15	New Export 15	By Pass Farm, Great North Road		889.71	0.05	0.05
New Export 16	New Export 16	New Export 16	Canal Solar Farm, Elms Farm	-1.571	730.69	0.05	0.05
New Export 17	New Export 17	New Export 17	Castle Gresley IDNO	-1.773	438.41	0.05	0.05
New Export 18	New Export 18	New Export 18	Caudwell Farm		9095.22	0.05	0.05
New Export 19	New Export 19	New Export 19	Chelveston Renewable Energy Park	-3.688	2033.56	0.05	0.05

Note: The list of MPANs / MSIDs provided may be incomplete; the DNO reserves the right to apply the listed charges to any other MPANs / MSIDs associated with the site.

Annex 2b - Schedule of Export Charges for use of the Distribution System by Designated EHV Properties (including LDNOs with Designated EHV Properties/end-users).

Export Unique Identifier	LLFC/DUoS Tariff Id	Export MPANs/MSIDs	Name	Export Super Red unit charge (p/kWh)	Export fixed charge (p/day)	Export capacity charge (p/kVA/day)	Export exceeded capacity charge (p/kVA/day)
New Export 20	New Export 20	New Export 20	Cogenhoe BESS IDNO	-1.612	448.95	0.05	0.05
New Export 22	New Export 22	New Export 22	Corley Solar Farm, Breach Oak Lane		4966.25	0.05	0.05
New Export 23	New Export 23	New Export 23	Costock Solar Farm		891.65	0.05	0.05
New Export 24	New Export 24	New Export 24	Cranford Hall	-1.612	2185.88	0.05	0.05
New Export 25	New Export 25	New Export 25	Drakelow Power Station 4		5028.33	0.05	0.05
New Export 26	New Export 26	New Export 26	Dunsford Road (Alfreton PV)		1138.68	0.05	0.05
New Export 28	New Export 28	New Export 28	East Sulgrave		36476.60	0.05	0.05
New Export 29	New Export 29	New Export 29	East Wood End, Milton Keynes		1809.71	0.05	0.05
New Export 30	New Export 30	New Export 30	Eastcroft EfW	-0.333	3320.99	0.05	0.05
New Export 31	New Export 31	New Export 31	Eden Meadows ESS & PV		448.95	0.05	0.05
New Export 33	New Export 33	New Export 33	Exton Estate Solar Farm, Barnsdale Avenue		17314.26	0.05	0.05
New Export 34	New Export 34	New Export 34	Fairham Business Park Unit 4 IDNO		897.91	0.05	0.05
New Export 35	New Export 35	New Export 35	Friskerton Solar Farm, Reepham Road		342.19	0.05	0.05
New Export 37	New Export 37	New Export 37	Glaston Road, Oakham		11241.97	0.05	0.05
New Export 38	New Export 38	New Export 38	Grantham Solar Farm		4287.76	0.05	0.05
New Export 39	New Export 39	New Export 39	Grendon BESS Farm IDNO	-1.612	8920.80	0.05	0.05
New Export 40	New Export 40	New Export 40	Grendon Lakes	-1.612	448.95	0.05	0.05
New Export 42	New Export 42	New Export 42	Hasland Solar Farm		7751.78	0.05	0.05
New Export 43	New Export 43	New Export 43	Hawkins Lane, Burton on Trent	-0.625	823.35	0.05	0.05
New Export 46	New Export 46	New Export 46	Hydes Lane	-1.571	448.95	0.05	0.05
New Export 47	New Export 47	New Export 47	Inkersall Road ESS & PV		2045.87	0.05	0.05
New Export 49	New Export 49	New Export 49	J162 Waterleys Farm	-1.612	448.95	0.05	0.05
New Export 50	New Export 50	New Export 50	Kilsby Road		26794.19	0.05	0.05
New Export 51	New Export 51	New Export 51	Kingston Solar		896.11	0.05	0.05
New Export 52	New Export 52	New Export 52	Kisses Barn Farm		4132.77	0.05	0.05
New Export 53	New Export 53	New Export 53	Land at Langer Lane ESS & PV	-1.326	603.92	0.05	0.05
New Export 54	New Export 54	New Export 54	Land on Cauldwell Road		6631.11	0.05	0.05
New Export 55	New Export 55	New Export 55	Limes Farm	-6.675	741.11	0.05	0.05
New Export 56	New Export 56	New Export 56	Little Morton Farm	-0.427	502.57	0.05	0.05
New Export 58	New Export 58	New Export 58	Lower Farm, Bishops Itchington		4207.67	0.05	0.05
New Export 59	New Export 59	New Export 59	Mallows Lane ESS & PV	-6.675	242.39	0.05	0.05
New Export 60	New Export 60	New Export 60	Manor Farm, Whitfield		3878.73	0.05	0.05
New Export 61	New Export 61	New Export 61	Markham Vale IDNO		1464.91	0.05	0.05
New Export 62	New Export 62	New Export 62	Middle Farm Road		999.89	0.05	0.05
New Export 63	New Export 63	New Export 63	Mill Farm, Cotes		362.76	0.05	0.05
New Export 66	New Export 66	New Export 66	Moreton Morrell Solar		423.50	0.05	0.05

Note: The list of MPANs / MSIDs provided may be incomplete; the DNO reserves the right to apply the listed charges to any other MPANs / MSIDs associated with the site.

Annex 2b - Schedule of Export Charges for use of the Distribution System by Designated EHV Properties (including LDNOs with Designated EHV Properties/end-users).

Export Unique Identifier	LLFC/DUoS Tariff Id	Export MPANs/MSIDs	Name	Export Super Red unit charge (p/kWh)	Export fixed charge (p/day)	Export capacity charge (p/kVA/day)	Export exceeded capacity charge (p/kVA/day)
New Export 70	New Export 70	New Export 70	Newton Wood Farm ESS		861.10	0.05	0.05
New Export 71	New Export 71	New Export 71	Normanton Larches Solar		1209.39	0.05	0.05
New Export 73	New Export 73	New Export 73	Northampton Gateway PV IDNO		363.58	0.05	0.05
New Export 74	New Export 74	New Export 74	Oakley Bushes Solar Farm 1		889.02	0.05	0.05
New Export 75	New Export 75	New Export 75	Oakley Bushes Solar Farm 2		889.02	0.05	0.05
New Export 78	New Export 78	New Export 78	Pistern Hills Farm	-3.561	23818.86	0.05	0.05
New Export 79	New Export 79	New Export 79	Poole Farm, Barrow Road		361.77	0.05	0.05
New Export 80	New Export 80	New Export 80	Pot Ash Farm		636.27	0.05	0.05
New Export 81	New Export 81	New Export 81	Potterspurty Solar Farm, land north of Potterspurty		14115.38	0.05	0.05
New Export 83	New Export 83	New Export 83	Pyghtle Farm, Wicken Park Road, Wicken, Milton Keynes		2940.51	0.05	0.05
New Export 86	New Export 86	New Export 86	Rothersthorpe, Milton Road		12137.91	0.05	0.05
New Export 87	New Export 87	New Export 87	Royle Farm		1937.25	0.05	0.05
New Export 88	New Export 88	New Export 88	Sherbourne Farm Solar		3680.77	0.05	0.05
New Export 89	New Export 89	New Export 89	Shirebrook Wind Farm		172.91	0.05	0.05
New Export 90	New Export 90	New Export 90	Shireoaks Hall Farm PV		675.36	0.05	0.05
New Export 92	New Export 92	New Export 92	SmartParc G99 applicatio IDNO		363.58	0.05	0.05
New Export 93	New Export 93	New Export 93	Soars Lodge Farm		880.27	0.05	0.05
New Export 94	New Export 94	New Export 94	Sparrow Lodge Farm, Wicken Park Road		362.68	0.05	0.05
New Export 96	New Export 96	New Export 96	Staveley Works		2049.50	0.05	0.05
New Export 97	New Export 97	New Export 97	Stourton Estate		883.19	0.05	0.05
New Export 98	New Export 98	New Export 98	Stow Park Farm ESS & PV		4948.65	0.05	0.05
New Export 99	New Export 99	New Export 99	Sudbury Estate	-3.561	448.95	0.05	0.05
New Export 100	New Export 100	New Export 100	Swadlingcote, Depot 3 off Cadley Hill Road	-1.773	2293.85	0.05	0.05
New Export 101	New Export 101	New Export 101	Thornton Solar Farm		890.77	0.05	0.05
New Export 102	New Export 102	New Export 102	Thorpe Constantine Solar		895.22	0.05	0.05
New Export 104	New Export 104	New Export 104	Thurlaston Estate Solar Farm		16904.59	0.05	0.05
New Export 105	New Export 105	New Export 105	Toldish Hall PV		2410.12	0.05	0.05
New Export 106	New Export 106	New Export 106	Vauls Farm PV		3421.68	0.05	0.05
New Export 107	New Export 107	New Export 107	Vicarage Drove		1593.80	0.05	0.05
New Export 108	New Export 108	New Export 108	Vicarage Farm	-4.552	448.95	0.05	0.05
New Export 109	New Export 109	New Export 109	Washdyke Farm		15058.58	0.05	0.05
10501	10501	10501	Watnall Brickworks IDNO		362.52	0.05	0.05
New Export 112	New Export 112	New Export 112	Welby Road BESS	-1.612	448.95	0.05	0.05
New Export 113	New Export 113	New Export 113	Wetmore Hall Farm IDNO		1646.70	0.05	0.05

Note: The list of MPANs / MSIDs provided may be incomplete; the DNO reserves the right to apply the listed charges to any other MPANs / MSIDs associated with the site.

Annex 2b - Schedule of Export Charges for use of the Distribution System by Designated EHV Properties (including LDNOs with Designated EHV Properties/end-users).

Export Unique Identifier	LLFC/DUoS Tariff Id	Export MPANs/MSIDs	Name	Export Super Red unit charge (p/kWh)	Export fixed charge (p/day)	Export capacity charge (p/kVA/day)	Export exceeded capacity charge (p/kVA/day)
New Export 114	New Export 114	New Export 114	Whaley Solar		6042.86	0.05	0.05
New Export 115	New Export 115	New Export 115	Willbrook Industrial Estate Phase 2, Shelton Road, Corby	-2.063	4352.22	0.05	0.05
New Export 116	New Export 116	New Export 116	Winkburn Estate BESS	-0.427	448.95	0.05	0.05
New Export 117	New Export 117	New Export 117	Winster PV, Ivonbrook Farm		1646.70	0.05	0.05
New Export 118	New Export 118	New Export 118	Wistow Lodge PV, Leicester Road		21923.39	0.05	0.05
New Export 119	New Export 119	New Export 119	Wood Lodge Farm		60492.85	0.05	0.05

Note: The list of MPANs / MSIDs provided may be incomplete; the DNO reserves the right to apply the listed charges to any other MPANs / MSIDs associated with the site.

**Annex 3 - Schedule of Charges** for use of the Distribution System to Preserved/Additional LLFC Classes  
 We currently do not have any Preserved/Additional LLFC Classes.

National Grid Electricity Distribution (East Midlands) plc - Effective from 1 April 2027 - Final LV and HV tariffs									
Supercustomer preserved charges/additional LLFCs									
	Closed LLFCs	PCs	Red/black unit charge p/kWh	Amber/yellow unit charge p/kWh	Green unit charge p/kWh	Fixed charge p/MPAN/day			
Notes:	[Add DNO specific notes relevant to charges]								

Site Specific preserved charges/additional LLFCs									
	Closed LLFCs	PCs	Red/black unit charge p/kWh	Amber/yellow unit charge p/kWh	Green unit charge p/kWh	Fixed charge p/MPAN/day	Capacity charge p/kVA/day	Exceeded capacity charge p/kVA/day	Reactive power charge p/kVAh
		0							
Notes:	Time periods [Add DNO specific notes relevant to charges] Unit charges in the red time band apply – between [xxxx] and [xxxx], Monday to Friday including bank holidays. Unit charges in the amber time band apply – between [xxxx] and [xxxx], Monday to Friday including bank holidays. Unit charges in the green time band apply – between [xxxx] and [xxxx], Monday to Friday including bank holidays, and [xxxx] and [xxxx] Saturday and Sunday. All times are UK clock-time. [Add DNO specific notes]								

Annex 4 - Charges applied to LDNOs with HV/LV end users

National Grid Electricity Distribution (East Midlands) plc - Effective from 1 April 2027 - Final LDNO tariffs

Time Bands for LV and HV Designated Properties			
Time periods	Red Time Band	Amber Time Band	Green Time Band
Monday to Friday (Including Bank Holidays) All Year	16:00 to 19:00	07:30 to 16:00 19:00 to 21:00	00:00 to 07:30 21:00 to 24:00
Saturday and Sunday All Year			00:00 to 24:00
Notes	All the above times are in UK Clock time		

Time Bands for Unmetered Properties			
	Black Time Band	Yellow Time Band	Green Time Band
Monday to Friday (Including Bank Holidays) Nov to Feb Inclusive	16:00 to 19:00	07:30 to 16:00 19:00 to 21:00	00:00 to 07:30 21:00 to 24:00
Monday to Friday (Including Bank Holidays) Mar to Oct Inclusive		07:30 to 21:00	00:00 to 07:30 21:00 to 24:00
Saturday and Sunday All Year			00:00 to 24:00
Notes	All the above times are in UK Clock time		

Tariff name	Unique billing identifier	PCs	Red/black unit charge p/kWh	Amber/yellow unit charge p/kWh	Green unit charge p/kWh	Fixed charge p/MPAN/day	Capacity charge p/kVA/day	Exceeded capacity charge p/kVA/day	Reactive power charge p/kVarh
LDNO LV: Domestic Aggregated or CT with Residual		0, 1, 2	8.392	1.001	0.082	8.08			
LDNO LV: Domestic Aggregated (related MPAN)		2	8.392	1.001	0.082				
LDNO LV: Non-Domestic Aggregated or CT No Residual		0, 3, 4, 5-8	8.125	0.969	0.080	7.98			
LDNO LV: Non-Domestic Aggregated or CT Band 1		0, 3, 4, 5-8	8.125	0.969	0.080	10.14			
LDNO LV: Non-Domestic Aggregated or CT Band 2		0, 3, 4, 5-8	8.125	0.969	0.080	16.14			
LDNO LV: Non-Domestic Aggregated or CT Band 3		0, 3, 4, 5-8	8.125	0.969	0.080	25.88			
LDNO LV: Non-Domestic Aggregated or CT Band 4		0, 3, 4, 5-8	8.125	0.969	0.080	54.99			
LDNO LV: Non-Domestic Aggregated (related MPAN)		4	8.125	0.969	0.080				
LDNO LV: LV Site Specific No Residual		0	5.505	0.615	0.047	9.39	5.18	5.18	0.163
LDNO LV: LV Site Specific Band 1		0	5.505	0.615	0.047	91.88	5.18	5.18	0.163
LDNO LV: LV Site Specific Band 2		0	5.505	0.615	0.047	149.15	5.18	5.18	0.163
LDNO LV: LV Site Specific Band 3		0	5.505	0.615	0.047	234.30	5.18	5.18	0.163
LDNO LV: LV Site Specific Band 4		0	5.505	0.615	0.047	461.44	5.18	5.18	0.163
LDNO LV: Unmetered Supplies		0, 1 or 8	26.076	1.947	1.090				
LDNO LV: LV Generation Aggregated		0	-8.040	-0.959	-0.079	0.00			
LDNO LV: LV Generation Site Specific		0	-8.040	-0.959	-0.079	0.00			0.280
LDNO HV: Domestic Aggregated or CT with Residual		0, 1, 2	6.638	0.792	0.065	6.39			
LDNO HV: Domestic Aggregated (Related MPAN)		2	6.638	0.792	0.065				
LDNO HV: Non-Domestic Aggregated or CT No Residual		0, 3, 4, 5-8	6.426	0.766	0.063	6.31			
LDNO HV: Non-Domestic Aggregated or CT Band 1		0, 3, 4, 5-8	6.426	0.766	0.063	8.02			
LDNO HV: Non-Domestic Aggregated or CT Band 2		0, 3, 4, 5-8	6.426	0.766	0.063	12.76			
LDNO HV: Non-Domestic Aggregated or CT Band 3		0, 3, 4, 5-8	6.426	0.766	0.063	20.47			
LDNO HV: Non-Domestic Aggregated or CT Band 4		0, 3, 4, 5-8	6.426	0.766	0.063	43.49			
LDNO HV: Non-Domestic Aggregated (related MPAN)		4	6.426	0.766	0.063				
LDNO HV: LV Site Specific No Residual		0	4.354	0.487	0.038	7.43	4.10	4.10	0.129
LDNO HV: LV Site Specific Band 1		0	4.354	0.487	0.038	72.67	4.10	4.10	0.129
LDNO HV: LV Site Specific Band 2		0	4.354	0.487	0.038	117.96	4.10	4.10	0.129
LDNO HV: LV Site Specific Band 3		0	4.354	0.487	0.038	185.31	4.10	4.10	0.129
LDNO HV: LV Site Specific Band 4		0	4.354	0.487	0.038	364.96	4.10	4.10	0.129
LDNO HV: LV Sub Site Specific No Residual		0	4.441	0.422	0.026	8.98	6.15	6.15	0.125
LDNO HV: LV Sub Site Specific Band 1		0	4.441	0.422	0.026	110.09	6.15	6.15	0.125
LDNO HV: LV Sub Site Specific Band 2		0	4.441	0.422	0.026	180.28	6.15	6.15	0.125
LDNO HV: LV Sub Site Specific Band 3		0	4.441	0.422	0.026	284.64	6.15	6.15	0.125
LDNO HV: LV Sub Site Specific Band 4		0	4.441	0.422	0.026	563.04	6.15	6.15	0.125
LDNO HV: HV Site Specific No Residual		0	2.865	0.214	0.008	94.32	8.09	8.09	0.071
LDNO HV: HV Site Specific Band 1		0	2.865	0.214	0.008	873.34	8.09	8.09	0.071
LDNO HV: HV Site Specific Band 2		0	2.865	0.214	0.008	2370.45	8.09	8.09	0.071
LDNO HV: HV Site Specific Band 3		0	2.865	0.214	0.008	4309.77	8.09	8.09	0.071
LDNO HV: HV Site Specific Band 4		0	2.865	0.214	0.008	10806.97	8.09	8.09	0.071
LDNO HV: Unmetered Supplies		0, 1 or 8	20.624	1.540	0.862				
LDNO HV: LV Generation Aggregated		0	-8.040	-0.959	-0.079	0.00			
LDNO HV: LV Sub Generation Aggregated		0	-6.716	-0.769	-0.061	0.00			
LDNO HV: LV Generation Site Specific		0	-8.040	-0.959	-0.079	0.00			0.280

Note: Where a tariff only has a p/kWh unit rate in Unit Charge 1 then this unit rate applies at all times.

## Annex 4 - Charges applied to LDNOs with HV/LV end users

Tariff name	Unique billing identifier	PCs	Red/black unit charge p/kWh	Amber/yellow unit charge p/kWh	Green unit charge p/kWh	Fixed charge p/MPAN/day	Capacity charge p/kVA/day	Exceeded capacity charge p/kVA/day	Reactive power charge p/kVAh
LDNO HV: LV Sub Generation Site Specific		0	-6.716	-0.769	-0.061	0.00			0.209
LDNO HV: HV Generation Site Specific		0	-4.189	-0.398	-0.025	0.00			0.173
LDNO HVplus: Domestic Aggregated or CT with Residual		0, 1, 2	5.230	0.624	0.051	5.03			
LDNO HVplus: Domestic Aggregated (related MPAN)		2	5.230	0.624	0.051				
LDNO HVplus: Non-Domestic Aggregated or CT No Residual		0, 3, 4, 5-8	5.064	0.604	0.050	4.97			
LDNO HVplus: Non-Domestic Aggregated or CT Band 1		0, 3, 4, 5-8	5.064	0.604	0.050	6.32			
LDNO HVplus: Non-Domestic Aggregated or CT Band 2		0, 3, 4, 5-8	5.064	0.604	0.050	10.06			
LDNO HVplus: Non-Domestic Aggregated or CT Band 3		0, 3, 4, 5-8	5.064	0.604	0.050	16.13			
LDNO HVplus: Non-Domestic Aggregated or CT Band 4		0, 3, 4, 5-8	5.064	0.604	0.050	34.27			
LDNO HVplus: Non-Domestic Aggregated (related MPAN)		4	5.064	0.604	0.050				
LDNO HVplus: LV Site Specific No Residual		0	3.431	0.384	0.030	5.85	3.23	3.23	0.101
LDNO HVplus: LV Site Specific Band 1		0	3.431	0.384	0.030	57.26	3.23	3.23	0.101
LDNO HVplus: LV Site Specific Band 2		0	3.431	0.384	0.030	92.96	3.23	3.23	0.101
LDNO HVplus: LV Site Specific Band 3		0	3.431	0.384	0.030	146.02	3.23	3.23	0.101
LDNO HVplus: LV Site Specific Band 4		0	3.431	0.384	0.030	287.59	3.23	3.23	0.101
LDNO HVplus: LV Sub Site Specific No Residual		0	3.406	0.324	0.020	6.89	4.71	4.71	0.096
LDNO HVplus: LV Sub Site Specific Band 1		0	3.406	0.324	0.020	84.43	4.71	4.71	0.096
LDNO HVplus: LV Sub Site Specific Band 2		0	3.406	0.324	0.020	138.26	4.71	4.71	0.096
LDNO HVplus: LV Sub Site Specific Band 3		0	3.406	0.324	0.020	218.30	4.71	4.71	0.096
LDNO HVplus: LV Sub Site Specific Band 4		0	3.406	0.324	0.020	431.81	4.71	4.71	0.096
LDNO HVplus: HV Site Specific No Residual		0	2.167	0.162	0.006	71.34	6.12	6.12	0.054
LDNO HVplus: HV Site Specific Band 1		0	2.167	0.162	0.006	660.56	6.12	6.12	0.054
LDNO HVplus: HV Site Specific Band 2		0	2.167	0.162	0.006	1792.92	6.12	6.12	0.054
LDNO HVplus: HV Site Specific Band 3		0	2.167	0.162	0.006	3259.75	6.12	6.12	0.054
LDNO HVplus: HV Site Specific Band 4		0	2.167	0.162	0.006	8174.00	6.12	6.12	0.054
LDNO HVplus: Unmetered Supplies		0, 1 or 8	16.252	1.214	0.679				
LDNO HVplus: LV Generation Aggregated		0	-4.972	-0.593	-0.049	0.00			
LDNO HVplus: LV Sub Generation Aggregated		0	-4.658	-0.533	-0.042	0.00			
LDNO HVplus: LV Generation Site Specific		0	-4.972	-0.593	-0.049	0.00			0.173
LDNO HVplus: LV Sub Generation Site Specific		0	-4.658	-0.533	-0.042	0.00			0.145
LDNO HVplus: HV Generation Site Specific		0	-4.189	-0.398	-0.025	64.37			0.173
LDNO EHV: Domestic Aggregated or CT with Residual		0, 1, 2	4.544	0.542	0.045	4.37			
LDNO EHV: Domestic Aggregated (related MPAN)		2	4.544	0.542	0.045				
LDNO EHV: Non-Domestic Aggregated or CT No Residual		0, 3, 4, 5-8	4.399	0.525	0.043	4.32			
LDNO EHV: Non-Domestic Aggregated or CT Band 1		0, 3, 4, 5-8	4.399	0.525	0.043	5.49			
LDNO EHV: Non-Domestic Aggregated or CT Band 2		0, 3, 4, 5-8	4.399	0.525	0.043	8.74			
LDNO EHV: Non-Domestic Aggregated or CT Band 3		0, 3, 4, 5-8	4.399	0.525	0.043	14.01			
LDNO EHV: Non-Domestic Aggregated or CT Band 4		0, 3, 4, 5-8	4.399	0.525	0.043	29.77			
LDNO EHV: Non-Domestic Aggregated (related MPAN)		4	4.399	0.525	0.043				
LDNO EHV: LV Site Specific No Residual		0	2.981	0.333	0.026	5.08	2.81	2.81	0.088
LDNO EHV: LV Site Specific Band 1		0	2.981	0.333	0.026	49.74	2.81	2.81	0.088
LDNO EHV: LV Site Specific Band 2		0	2.981	0.333	0.026	80.75	2.81	2.81	0.088
LDNO EHV: LV Site Specific Band 3		0	2.981	0.333	0.026	126.85	2.81	2.81	0.088
LDNO EHV: LV Site Specific Band 4		0	2.981	0.333	0.026	249.82	2.81	2.81	0.088
LDNO EHV: LV Sub Site Specific No Residual		0	2.958	0.281	0.018	5.99	4.09	4.09	0.084
LDNO EHV: LV Sub Site Specific Band 1		0	2.958	0.281	0.018	73.34	4.09	4.09	0.084
LDNO EHV: LV Sub Site Specific Band 2		0	2.958	0.281	0.018	120.11	4.09	4.09	0.084
LDNO EHV: LV Sub Site Specific Band 3		0	2.958	0.281	0.018	189.63	4.09	4.09	0.084
LDNO EHV: LV Sub Site Specific Band 4		0	2.958	0.281	0.018	375.11	4.09	4.09	0.084
LDNO EHV: HV Site Specific No Residual		0	1.883	0.140	0.005	61.97	5.32	5.32	0.047
LDNO EHV: HV Site Specific Band 1		0	1.883	0.140	0.005	573.82	5.32	5.32	0.047
LDNO EHV: HV Site Specific Band 2		0	1.883	0.140	0.005	1557.49	5.32	5.32	0.047
LDNO EHV: HV Site Specific Band 3		0	1.883	0.140	0.005	2831.70	5.32	5.32	0.047
LDNO EHV: HV Site Specific Band 4		0	1.883	0.140	0.005	7100.64	5.32	5.32	0.047
LDNO EHV: Unmetered Supplies		0, 1 or 8	14.118	1.054	0.590				
LDNO EHV: LV Generation Aggregated		0	-4.319	-0.515	-0.042	0.00			
LDNO EHV: LV Sub Generation Aggregated		0	-4.046	-0.463	-0.037	0.00			
LDNO EHV: LV Generation Site Specific		0	-4.319	-0.515	-0.042	0.00			0.151

Note: Where a tariff only has a p/kWh unit rate in Unit Charge 1 then this unit rate applies at all times.

Annex 4 - Charges applied to LDNOs with HV/LV end users

Tariff name	Unique billing identifier	PCs	Red/black unit charge p/kWh	Amber/yellow unit charge p/kWh	Green unit charge p/kWh	Fixed charge p/MPAN/day	Capacity charge p/kVA/day	Exceeded capacity charge p/kVA/day	Reactive power charge p/kVArh
LDNO EHV: LV Sub Generation Site Specific		0	-4.046	-0.463	-0.037	0.00			0.126
LDNO EHV: HV Generation Site Specific		0	-3.639	-0.346	-0.022	55.92			0.150
LDNO 132kV/EHV: Domestic Aggregated or CT with Residual		0, 1, 2	4.245	0.506	0.042	4.09			
LDNO 132kV/EHV: Domestic Aggregated (related MPAN)		2	4.245	0.506	0.042				
LDNO 132kV/EHV: Non-Domestic Aggregated or CT No Residual		0, 3, 4, 5-8	4.110	0.490	0.040	4.04			
LDNO 132kV/EHV: Non-Domestic Aggregated or CT Band 1		0, 3, 4, 5-8	4.110	0.490	0.040	5.13			
LDNO 132kV/EHV: Non-Domestic Aggregated or CT Band 2		0, 3, 4, 5-8	4.110	0.490	0.040	8.16			
LDNO 132kV/EHV: Non-Domestic Aggregated or CT Band 3		0, 3, 4, 5-8	4.110	0.490	0.040	13.09			
LDNO 132kV/EHV: Non-Domestic Aggregated or CT Band 4		0, 3, 4, 5-8	4.110	0.490	0.040	27.82			
LDNO 132kV/EHV: Non-Domestic Aggregated (related MPAN)		4	4.110	0.490	0.040				
LDNO 132kV/EHV: LV Site Specific No Residual		0	2.785	0.311	0.024	4.75	2.62	2.62	0.082
LDNO 132kV/EHV: LV Site Specific Band 1		0	2.785	0.311	0.024	46.48	2.62	2.62	0.082
LDNO 132kV/EHV: LV Site Specific Band 2		0	2.785	0.311	0.024	75.45	2.62	2.62	0.082
LDNO 132kV/EHV: LV Site Specific Band 3		0	2.785	0.311	0.024	118.52	2.62	2.62	0.082
LDNO 132kV/EHV: LV Site Specific Band 4		0	2.785	0.311	0.024	233.43	2.62	2.62	0.082
LDNO 132kV/EHV: LV Sub Site Specific No Residual		0	2.764	0.263	0.016	5.59	3.83	3.83	0.078
LDNO 132kV/EHV: LV Sub Site Specific Band 1		0	2.764	0.263	0.016	68.53	3.83	3.83	0.078
LDNO 132kV/EHV: LV Sub Site Specific Band 2		0	2.764	0.263	0.016	112.22	3.83	3.83	0.078
LDNO 132kV/EHV: LV Sub Site Specific Band 3		0	2.764	0.263	0.016	177.18	3.83	3.83	0.078
LDNO 132kV/EHV: LV Sub Site Specific Band 4		0	2.764	0.263	0.016	350.49	3.83	3.83	0.078
LDNO 132kV/EHV: HV Site Specific No Residual		0	1.759	0.131	0.005	57.90	4.97	4.97	0.044
LDNO 132kV/EHV: HV Site Specific Band 1		0	1.759	0.131	0.005	536.15	4.97	4.97	0.044
LDNO 132kV/EHV: HV Site Specific Band 2		0	1.759	0.131	0.005	1455.25	4.97	4.97	0.044
LDNO 132kV/EHV: HV Site Specific Band 3		0	1.759	0.131	0.005	2645.82	4.97	4.97	0.044
LDNO 132kV/EHV: HV Site Specific Band 4		0	1.759	0.131	0.005	6634.53	4.97	4.97	0.044
LDNO 132kV/EHV: Unmetered Supplies		0, 1 or 8	13.191	0.985	0.551				
LDNO 132kV/EHV: LV Generation Aggregated		0	-4.036	-0.481	-0.040	0.00			
LDNO 132kV/EHV: LV Sub Generation Aggregated		0	-3.780	-0.433	-0.034	0.00			
LDNO 132kV/EHV: LV Generation Site Specific		0	-4.036	-0.481	-0.040	0.00			0.141
LDNO 132kV/EHV: LV Sub Generation Site Specific		0	-3.780	-0.433	-0.034	0.00			0.117
LDNO 132kV/EHV: HV Generation Site Specific		0	-3.400	-0.323	-0.020	52.25			0.141
LDNO 132kV: Domestic Aggregated or CT with Residual		0, 1, 2	3.167	0.378	0.031	3.05			
LDNO 132kV: Domestic Aggregated (related MPAN)		2	3.167	0.378	0.031				
LDNO 132kV: Non-Domestic Aggregated or CT No Residual		0, 3, 4, 5-8	3.066	0.366	0.030	3.01			
LDNO 132kV: Non-Domestic Aggregated or CT Band 1		0, 3, 4, 5-8	3.066	0.366	0.030	3.83			
LDNO 132kV: Non-Domestic Aggregated or CT Band 2		0, 3, 4, 5-8	3.066	0.366	0.030	6.09			
LDNO 132kV: Non-Domestic Aggregated or CT Band 3		0, 3, 4, 5-8	3.066	0.366	0.030	9.77			
LDNO 132kV: Non-Domestic Aggregated or CT Band 4		0, 3, 4, 5-8	3.066	0.366	0.030	20.75			
LDNO 132kV: Non-Domestic Aggregated (related MPAN)		4	3.066	0.366	0.030				
LDNO 132kV: LV Site Specific No Residual		0	2.077	0.232	0.018	3.54	1.96	1.96	0.061
LDNO 132kV: LV Site Specific Band 1		0	2.077	0.232	0.018	34.67	1.96	1.96	0.061
LDNO 132kV: LV Site Specific Band 2		0	2.077	0.232	0.018	56.28	1.96	1.96	0.061
LDNO 132kV: LV Site Specific Band 3		0	2.077	0.232	0.018	88.41	1.96	1.96	0.061
LDNO 132kV: LV Site Specific Band 4		0	2.077	0.232	0.018	174.12	1.96	1.96	0.061
LDNO 132kV: LV Sub Site Specific No Residual		0	2.062	0.196	0.012	4.17	2.85	2.85	0.058
LDNO 132kV: LV Sub Site Specific Band 1		0	2.062	0.196	0.012	51.12	2.85	2.85	0.058
LDNO 132kV: LV Sub Site Specific Band 2		0	2.062	0.196	0.012	83.71	2.85	2.85	0.058
LDNO 132kV: LV Sub Site Specific Band 3		0	2.062	0.196	0.012	132.17	2.85	2.85	0.058
LDNO 132kV: LV Sub Site Specific Band 4		0	2.062	0.196	0.012	261.44	2.85	2.85	0.058
LDNO 132kV: HV Site Specific No Residual		0	1.312	0.098	0.004	43.19	3.71	3.71	0.033
LDNO 132kV: HV Site Specific Band 1		0	1.312	0.098	0.004	399.94	3.71	3.71	0.033
LDNO 132kV: HV Site Specific Band 2		0	1.312	0.098	0.004	1085.52	3.71	3.71	0.033
LDNO 132kV: HV Site Specific Band 3		0	1.312	0.098	0.004	1973.61	3.71	3.71	0.033
LDNO 132kV: HV Site Specific Band 4		0	1.312	0.098	0.004	4948.92	3.71	3.71	0.033
LDNO 132kV: Unmetered Supplies		0, 1 or 8	9.840	0.735	0.411				
LDNO 132kV: LV Generation Aggregated		0	-3.010	-0.359	-0.030	0.00			
LDNO 132kV: LV Sub Generation Aggregated		0	-2.820	-0.323	-0.026	0.00			
LDNO 132kV: LV Generation Site Specific		0	-3.010	-0.359	-0.030	0.00			0.105

Note: Where a tariff only has a p/kWh unit rate in Unit Charge 1 then this unit rate applies at all times.

Annex 4 - Charges applied to LDNOs with HV/LV end users

Tariff name	Unique billing identifier	PCs	Red/black unit charge p/kWh	Amber/yellow unit charge p/kWh	Green unit charge p/kWh	Fixed charge p/MPAN/day	Capacity charge p/kVA/day	Exceeded capacity charge p/kVA/day	Reactive power charge p/kVArh
LDNO 132kV: LV Sub Generation Site Specific		0	-2.820	-0.323	-0.026	0.00			0.088
LDNO 132kV: HV Generation Site Specific		0	-2.536	-0.241	-0.015	38.97			0.105
LDNO 0000: Domestic Aggregated or CT with Residual		0, 1, 2	1.119	0.133	0.011	1.08			
LDNO 0000: Domestic Aggregated (related MPAN)		2	1.119	0.133	0.011				
LDNO 0000: Non-Domestic Aggregated or CT No Residual		0, 3, 4, 5-8	1.083	0.129	0.011	1.06			
LDNO 0000: Non-Domestic Aggregated or CT Band 1		0, 3, 4, 5-8	1.083	0.129	0.011	1.35			
LDNO 0000: Non-Domestic Aggregated or CT Band 2		0, 3, 4, 5-8	1.083	0.129	0.011	2.15			
LDNO 0000: Non-Domestic Aggregated or CT Band 3		0, 3, 4, 5-8	1.083	0.129	0.011	3.45			
LDNO 0000: Non-Domestic Aggregated or CT Band 4		0, 3, 4, 5-8	1.083	0.129	0.011	7.33			
LDNO 0000: Non-Domestic Aggregated (related MPAN)		4	1.083	0.129	0.011				
LDNO 0000: LV Site Specific No Residual		0	0.734	0.082	0.006	1.25	0.69	0.69	0.022
LDNO 0000: LV Site Specific Band 1		0	0.734	0.082	0.006	12.25	0.69	0.69	0.022
LDNO 0000: LV Site Specific Band 2		0	0.734	0.082	0.006	19.88	0.69	0.69	0.022
LDNO 0000: LV Site Specific Band 3		0	0.734	0.082	0.006	31.23	0.69	0.69	0.022
LDNO 0000: LV Site Specific Band 4		0	0.734	0.082	0.006	61.50	0.69	0.69	0.022
LDNO 0000: LV Sub Site Specific No Residual		0	0.728	0.069	0.004	1.47	1.01	1.01	0.021
LDNO 0000: LV Sub Site Specific Band 1		0	0.728	0.069	0.004	18.06	1.01	1.01	0.021
LDNO 0000: LV Sub Site Specific Band 2		0	0.728	0.069	0.004	29.57	1.01	1.01	0.021
LDNO 0000: LV Sub Site Specific Band 3		0	0.728	0.069	0.004	46.68	1.01	1.01	0.021
LDNO 0000: LV Sub Site Specific Band 4		0	0.728	0.069	0.004	92.34	1.01	1.01	0.021
LDNO 0000: HV Site Specific No Residual		0	0.463	0.035	0.001	15.26	1.31	1.31	0.011
LDNO 0000: HV Site Specific Band 1		0	0.463	0.035	0.001	141.26	1.31	1.31	0.011
LDNO 0000: HV Site Specific Band 2		0	0.463	0.035	0.001	383.42	1.31	1.31	0.011
LDNO 0000: HV Site Specific Band 3		0	0.463	0.035	0.001	697.10	1.31	1.31	0.011
LDNO 0000: HV Site Specific Band 4		0	0.463	0.035	0.001	1748.01	1.31	1.31	0.011
LDNO 0000: Unmetered Supplies		0, 1 or 8	3.475	0.260	0.145				
LDNO 0000: LV Generation Aggregated		0	-1.063	-0.127	-0.010	0.00			
LDNO 0000: LV Sub Generation Aggregated		0	-0.996	-0.114	-0.009	0.00			
LDNO 0000: LV Generation Site Specific		0	-1.063	-0.127	-0.010	0.00			0.037
LDNO 0000: LV Sub Generation Site Specific		0	-0.996	-0.114	-0.009	0.00			0.031
LDNO 0000: HV Generation Site Specific		0	-0.896	-0.085	-0.005	13.77			0.037

Note: Where a tariff only has a p/kWh unit rate in Unit Charge 1 then this unit rate applies at all times.

## Annex 5 - Schedule of Line Loss Factors

This table has intentionally been left blank. The line loss factors that are approved by the BSC Panel for the applicable year and consequently published on the Elexon website will take precedence and be used in Settlement. This annex will be re-published once these values are available.

National Grid Electricity Distribution (East Midlands) plc - Illustrative LLFs for year beginning 1 April 2027				
Time periods	Period 1	Period 2	Period 3	Period 4
	(Name 1)	(Name 2)	(Name 3)	(Name 4)
Monday to Friday Mar to Oct			00:30 – 07:30	07:30 – 00:30
Monday to Friday Nov to Feb	16:00 – 19:00	07:30 – 16:00 19:00 – 20:00	00:30 – 07:30	20:00 – 00:30
Saturday and Sunday All Year			00:30 – 07:30	07:30 – 00:30
Notes	All the above times are in UK Clock time			

Generic demand and generation LLFs					
Metered voltage, respective periods and associated LLFCs					
Metered voltage	Period 1	Period 2	Period 3	Period 4	Associated LLFC
132kV connected					
132/EHV connected					
132/HV connected					
EHV connected					
High Voltage Substation					
High Voltage Network					
Low Voltage Substation					
Low Voltage Network					

EHV site specific LLFs					
Demand					
Site	Period 1	Period 2	Period 3	Period 4	Associated LLFC
Site 1					
Site 2					
Site 3					
Site 4					
Site 5					

EHV site specific LLFs					
Generation					
Site	Period 1	Period 2	Period 3	Period 4	Associated LLFC
Site 1					
Site 2					
Site 3					
Site 4					
Site 5					

Annex 6 - New Designated EHV Properties. Addendum to Schedule of Charges for use of the Distribution System by Designated EHV Properties (including LDNOs with Designated EHV Properties/end-users).

Annex 6 - Charges for New or Amended Designated EHV Properties

National Grid Electricity Distribution (East Midlands) plc - Effective from 1 April 2027 - Final new designated EHV charges

Effective from date	Import Unique Identifier	LLFC/ DUoS Tariff Id	Import MPANs/MSIDs	Export Unique Identifier	LLFC/ DUoS Tariff Id	Export MPANs/MSIDs	Name	Residual Charging Band	Import Super Red unit charge (p/kWh)	Import fixed charge (p/day)	Import capacity charge (p/kVA/day)	Import exceeded capacity charge (p/kVA/day)	Export Super Red unit charge (p/kWh)	Export fixed charge (p/day)	Export capacity charge (p/kVA/day)	Export exceeded capacity charge (p/kVA/day)
	EDCM import 1			EDCM export 1												
	EDCM import 2			EDCM export 2												
	EDCM import 3			EDCM export 3												
	EDCM import 4			EDCM export 4												
	EDCM import 5			EDCM export 5												
	EDCM import 6			EDCM export 6												
	EDCM import 7			EDCM export 7												
	EDCM import 8			EDCM export 8												
	EDCM import 9			EDCM export 9												
	EDCM import 10			EDCM export 10												

National Grid Electricity Distribution (East Midlands) plc - Effective from 1 April 2027 - Final new designated EHV line loss factors

Effective from date	Import Unique Identifier	LLFC/ DUoS Tariff Id	Import MPANs/MSIDs	Export Unique Identifier	LLFC/ DUoS Tariff Id	Export MPANs/MSIDs	Name	Residual Charging Band	Import LLF period 1	Import LLF period 2	Import LLF period 3	Import LLF period 4	Export LLF period 1	Export LLF period 2	Export LLF period 3	Export LLF period 4
	EDCM import 1			EDCM Export 1												
	EDCM import 2			EDCM Export 2												
	EDCM import 3			EDCM Export 3												
	EDCM import 4			EDCM Export 4												
	EDCM import 5			EDCM Export 5												
	EDCM import 6			EDCM Export 6												
	EDCM import 7			EDCM Export 7												
	EDCM import 8			EDCM Export 8												
	EDCM import 9			EDCM Export 9												
	EDCM import 10			EDCM Export 10												

Note: The list of MPANs / MSIDs provided may be incomplete; the DNO reserves the right to apply the listed charges to any other MPANs / MSIDs associated with the site.

**National Grid Electricity Distribution (East Midlands) plc - Effective from 1 April 2027 - Final Supplier of Last Resort and Eligible Bad Debt Pass-Through Costs**

Tariff name	Open LLFCs / LDNO unique billing identifier	PCs	Supplier of Last Resort Fixed charge adder* p/MPAN/day	Eligible Bad Debt Fixed charge adder*** p/MPAN/day
Domestic Aggregated or CT with Residual	1, 3, 246, D01	0, 1, 2	0.00	0.00
Non-Domestic Aggregated or CT No Residual	N10, N20, N30, X10, X20, X30	0, 3, 4, 5-8		0.00
Non-Domestic Aggregated or CT Band 1	13, 37, 81, 80, 247, 90, X11, X21, X31	0, 3, 4, 5-8		0.00
Non-Domestic Aggregated or CT Band 2	N12, N22, N32, X12, X22, X32	0, 3, 4, 5-8		0.00
Non-Domestic Aggregated or CT Band 3	N13, N23, N33, X13, X23, X33	0, 3, 4, 5-8		0.00
Non-Domestic Aggregated or CT Band 4	N14, N24, N34, X14, X24, X34	0, 3, 4, 5-8		0.00
LV Site Specific No Residual	L00, LST	0		0.00
LV Site Specific Band 1	58, 990	0		0.00
LV Site Specific Band 2	L02	0		0.00
LV Site Specific Band 3	L03	0		0.00
LV Site Specific Band 4	L04	0		0.00
LV Sub Site Specific No Residual	S00, SST	0		0.00
LV Sub Site Specific Band 1	59	0		0.00
LV Sub Site Specific Band 2	S02	0		0.00
LV Sub Site Specific Band 3	S03	0		0.00
LV Sub Site Specific Band 4	S04	0		0.00
HV Site Specific No Residual	H00, HST	0		0.00
HV Site Specific Band 1	60, 991	0		0.00
HV Site Specific Band 2	H02	0		0.00
HV Site Specific Band 3	H03	0		0.00
HV Site Specific Band 4	H04	0		0.00
LDNO LV: Domestic Aggregated or CT with Residual		0, 1, 2	0.00	0.00
LDNO LV: Non-Domestic Aggregated or CT No Residual		0, 3, 4, 5-8		0.00
LDNO LV: Non-Domestic Aggregated or CT Band 1		0, 3, 4, 5-8		0.00
LDNO LV: Non-Domestic Aggregated or CT Band 2		0, 3, 4, 5-8		0.00
LDNO LV: Non-Domestic Aggregated or CT Band 3		0, 3, 4, 5-8		0.00
LDNO LV: Non-Domestic Aggregated or CT Band 4		0, 3, 4, 5-8		0.00
LDNO LV: LV Site Specific No Residual		0		0.00
LDNO LV: LV Site Specific Band 1		0		0.00
LDNO LV: LV Site Specific Band 2		0		0.00
LDNO LV: LV Site Specific Band 3		0		0.00
LDNO LV: LV Site Specific Band 4		0		0.00

Annex 7 - Schedule of Charges to recover Excess Supplier of Last Resort pass-through costs

Tariff name	Open LLFCs / LDNO unique billing identifier	PCs	Supplier of Last Resort Fixed charge adder* p/MPAN/day	Eligible Bad Debt Fixed charge adder*** p/MPAN/day
LDNO HV: Domestic Aggregated or CT with Residual		0, 1, 2	0.00	0.00
LDNO HV: Non-Domestic Aggregated or CT No Residual		0, 3, 4, 5-8		0.00
LDNO HV: Non-Domestic Aggregated or CT Band 1		0, 3, 4, 5-8		0.00
LDNO HV: Non-Domestic Aggregated or CT Band 2		0, 3, 4, 5-8		0.00
LDNO HV: Non-Domestic Aggregated or CT Band 3		0, 3, 4, 5-8		0.00
LDNO HV: Non-Domestic Aggregated or CT Band 4		0, 3, 4, 5-8		0.00
LDNO HV: LV Site Specific No Residual		0		0.00
LDNO HV: LV Site Specific Band 1		0		0.00
LDNO HV: LV Site Specific Band 2		0		0.00
LDNO HV: LV Site Specific Band 3		0		0.00
LDNO HV: LV Site Specific Band 4		0		0.00
LDNO HV: LV Sub Site Specific No Residual		0		0.00
LDNO HV: LV Sub Site Specific Band 1		0		0.00
LDNO HV: LV Sub Site Specific Band 2		0		0.00
LDNO HV: LV Sub Site Specific Band 3		0		0.00
LDNO HV: LV Sub Site Specific Band 4		0		0.00
LDNO HV: HV Site Specific No Residual		0		0.00
LDNO HV: HV Site Specific Band 1		0		0.00
LDNO HV: HV Site Specific Band 2		0		0.00
LDNO HV: HV Site Specific Band 3		0		0.00
LDNO HV: HV Site Specific Band 4		0		0.00
LDNO HVplus: Domestic Aggregated or CT with Residual		0, 1, 2	0.00	0.00
LDNO HVplus: Non-Domestic Aggregated or CT No Residual		0, 3, 4, 5-8		0.00
LDNO HVplus: Non-Domestic Aggregated or CT Band 1		0, 3, 4, 5-8		0.00
LDNO HVplus: Non-Domestic Aggregated or CT Band 2		0, 3, 4, 5-8		0.00
LDNO HVplus: Non-Domestic Aggregated or CT Band 3		0, 3, 4, 5-8		0.00
LDNO HVplus: Non-Domestic Aggregated or CT Band 4		0, 3, 4, 5-8		0.00
LDNO HVplus: LV Site Specific No Residual		0		0.00
LDNO HVplus: LV Site Specific Band 1		0		0.00
LDNO HVplus: LV Site Specific Band 2		0		0.00
LDNO HVplus: LV Site Specific Band 3		0		0.00
LDNO HVplus: LV Site Specific Band 4		0		0.00
LDNO HVplus: LV Sub Site Specific No Residual		0		0.00
LDNO HVplus: LV Sub Site Specific Band 1		0		0.00
LDNO HVplus: LV Sub Site Specific Band 2		0		0.00

Annex 7 - Schedule of Charges to recover Excess Supplier of Last Resort pass-through costs

Tariff name	Open LLFCs / LDNO unique billing identifier	PCs	Supplier of Last Resort Fixed charge adder* p/MPAN/day	Eligible Bad Debt Fixed charge adder*** p/MPAN/day
LDNO HVplus: LV Sub Site Specific Band 3		0		0.00
LDNO HVplus: LV Sub Site Specific Band 4		0		0.00
LDNO HVplus: HV Site Specific No Residual		0		0.00
LDNO HVplus: HV Site Specific Band 1		0		0.00
LDNO HVplus: HV Site Specific Band 2		0		0.00
LDNO HVplus: HV Site Specific Band 3		0		0.00
LDNO HVplus: HV Site Specific Band 4		0		0.00
LDNO EHV: Domestic Aggregated or CT with Residual		0, 1, 2	0.00	0.00
LDNO EHV: Non-Domestic Aggregated or CT No Residual		0, 3, 4, 5-8		0.00
LDNO EHV: Non-Domestic Aggregated or CT Band 1		0, 3, 4, 5-8		0.00
LDNO EHV: Non-Domestic Aggregated or CT Band 2		0, 3, 4, 5-8		0.00
LDNO EHV: Non-Domestic Aggregated or CT Band 3		0, 3, 4, 5-8		0.00
LDNO EHV: Non-Domestic Aggregated or CT Band 4		0, 3, 4, 5-8		0.00
LDNO EHV: LV Site Specific No Residual		0		0.00
LDNO EHV: LV Site Specific Band 1		0		0.00
LDNO EHV: LV Site Specific Band 2		0		0.00
LDNO EHV: LV Site Specific Band 3		0		0.00
LDNO EHV: LV Site Specific Band 4		0		0.00
LDNO EHV: LV Sub Site Specific No Residual		0		0.00
LDNO EHV: LV Sub Site Specific Band 1		0		0.00
LDNO EHV: LV Sub Site Specific Band 2		0		0.00
LDNO EHV: LV Sub Site Specific Band 3		0		0.00
LDNO EHV: LV Sub Site Specific Band 4		0		0.00
LDNO EHV: HV Site Specific No Residual		0		0.00
LDNO EHV: HV Site Specific Band 1		0		0.00
LDNO EHV: HV Site Specific Band 2		0		0.00
LDNO EHV: HV Site Specific Band 3		0		0.00
LDNO EHV: HV Site Specific Band 4		0		0.00
LDNO 132kV/EHV: Domestic Aggregated or CT with Residual		0, 1, 2	0.00	0.00
LDNO 132kV/EHV: Non-Domestic Aggregated or CT No Residual		0, 3, 4, 5-8		0.00
LDNO 132kV/EHV: Non-Domestic Aggregated or CT Band 1		0, 3, 4, 5-8		0.00
LDNO 132kV/EHV: Non-Domestic Aggregated or CT Band 2		0, 3, 4, 5-8		0.00
LDNO 132kV/EHV: Non-Domestic Aggregated or CT Band 3		0, 3, 4, 5-8		0.00
LDNO 132kV/EHV: Non-Domestic Aggregated or CT Band 4		0, 3, 4, 5-8		0.00
LDNO 132kV/EHV: LV Site Specific No Residual		0		0.00

Annex 7 - Schedule of Charges to recover Excess Supplier of Last Resort pass-through costs

Tariff name	Open LLFCs / LDNO unique billing identifier	PCs	Supplier of Last Resort Fixed charge adder* p/MPAN/day	Eligible Bad Debt Fixed charge adder*** p/MPAN/day
LDNO 132kV/EHV: LV Site Specific Band 1		0		0.00
LDNO 132kV/EHV: LV Site Specific Band 2		0		0.00
LDNO 132kV/EHV: LV Site Specific Band 3		0		0.00
LDNO 132kV/EHV: LV Site Specific Band 4		0		0.00
LDNO 132kV/EHV: LV Sub Site Specific No Residual		0		0.00
LDNO 132kV/EHV: LV Sub Site Specific Band 1		0		0.00
LDNO 132kV/EHV: LV Sub Site Specific Band 2		0		0.00
LDNO 132kV/EHV: LV Sub Site Specific Band 3		0		0.00
LDNO 132kV/EHV: LV Sub Site Specific Band 4		0		0.00
LDNO 132kV/EHV: HV Site Specific No Residual		0		0.00
LDNO 132kV/EHV: HV Site Specific Band 1		0		0.00
LDNO 132kV/EHV: HV Site Specific Band 2		0		0.00
LDNO 132kV/EHV: HV Site Specific Band 3		0		0.00
LDNO 132kV/EHV: HV Site Specific Band 4		0		0.00
LDNO 132kV: Domestic Aggregated or CT with Residual		0, 1, 2	0.00	0.00
LDNO 132kV: Non-Domestic Aggregated or CT No Residual		0, 3, 4, 5-8		0.00
LDNO 132kV: Non-Domestic Aggregated or CT Band 1		0, 3, 4, 5-8		0.00
LDNO 132kV: Non-Domestic Aggregated or CT Band 2		0, 3, 4, 5-8		0.00
LDNO 132kV: Non-Domestic Aggregated or CT Band 3		0, 3, 4, 5-8		0.00
LDNO 132kV: Non-Domestic Aggregated or CT Band 4		0, 3, 4, 5-8		0.00
LDNO 132kV: LV Site Specific No Residual		0		0.00
LDNO 132kV: LV Site Specific Band 1		0		0.00
LDNO 132kV: LV Site Specific Band 2		0		0.00
LDNO 132kV: LV Site Specific Band 3		0		0.00
LDNO 132kV: LV Site Specific Band 4		0		0.00
LDNO 132kV: LV Sub Site Specific No Residual		0		0.00
LDNO 132kV: LV Sub Site Specific Band 1		0		0.00
LDNO 132kV: LV Sub Site Specific Band 2		0		0.00
LDNO 132kV: LV Sub Site Specific Band 3		0		0.00
LDNO 132kV: LV Sub Site Specific Band 4		0		0.00
LDNO 132kV: HV Site Specific No Residual		0		0.00
LDNO 132kV: HV Site Specific Band 1		0		0.00
LDNO 132kV: HV Site Specific Band 2		0		0.00
LDNO 132kV: HV Site Specific Band 3		0		0.00
LDNO 132kV: HV Site Specific Band 4		0		0.00

Annex 7 - Schedule of Charges to recover Excess Supplier of Last Resort pass-through costs

Tariff name	Open LLFCs / LDNO unique billing identifier	PCs	Supplier of Last Resort Fixed charge adder* p/MPAN/day	Eligible Bad Debt Fixed charge adder*** p/MPAN/day
LDNO 0000: Domestic Aggregated or CT with Residual		0, 1, 2	0.00	0.00
LDNO 0000: Non-Domestic Aggregated or CT No Residual		0, 3, 4, 5-8		0.00
LDNO 0000: Non-Domestic Aggregated or CT Band 1		0, 3, 4, 5-8		0.00
LDNO 0000: Non-Domestic Aggregated or CT Band 2		0, 3, 4, 5-8		0.00
LDNO 0000: Non-Domestic Aggregated or CT Band 3		0, 3, 4, 5-8		0.00
LDNO 0000: Non-Domestic Aggregated or CT Band 4		0, 3, 4, 5-8		0.00
LDNO 0000: LV Site Specific No Residual		0		0.00
LDNO 0000: LV Site Specific Band 1		0		0.00
LDNO 0000: LV Site Specific Band 2		0		0.00
LDNO 0000: LV Site Specific Band 3		0		0.00
LDNO 0000: LV Site Specific Band 4		0		0.00
LDNO 0000: LV Sub Site Specific No Residual		0		0.00
LDNO 0000: LV Sub Site Specific Band 1		0		0.00
LDNO 0000: LV Sub Site Specific Band 2		0		0.00
LDNO 0000: LV Sub Site Specific Band 3		0		0.00
LDNO 0000: LV Sub Site Specific Band 4		0		0.00
LDNO 0000: HV Site Specific No Residual		0		0.00
LDNO 0000: HV Site Specific Band 1		0		0.00
LDNO 0000: HV Site Specific Band 2		0		0.00
LDNO 0000: HV Site Specific Band 3		0		0.00
LDNO 0000: HV Site Specific Band 4		0		0.00

\*Supplier of Last Resort pass-through costs allocated to all domestic tariffs with a fixed charge (including LDNO)

\*\*Eligible Bad Debt pass-through costs allocated to all metered demand tariffs (including LDNO)