

National Grid Electricity Distribution

(South West) plc

Use of System Charging Statement

NOTICE OF CHARGES

Effective from 1st April 2027

Version 0.1

This statement is in a form to be approved by the Gas and Electricity Markets Authority.

Version Control

Version	Date	Description of version and any changes made
0.1	December 2025	Published Finals

Contents

1. Introduction	4
Validity period	5
Contact details	5
2. Charge application and definitions	7
The Supercustomer / Aggregate and site-specific billing approaches	7
Supercustomer / Aggregate billing and payment	8
Site-specific billing and payment	9
Components of Charges	10
Allocation of charges	15
Generation charges for pre-2005 designated EHV properties	16
Provision of billing data	17
Out of area use of system charges	17
Licensed distribution network operator charges	17
Licence exempt distribution networks	18
3. Schedule of charges for use of the distribution system	21
4. Schedule of line loss factors	22
Role of line loss factors in the supply of electricity	22
Calculation of line loss factors	22
Publication of line loss factors	23
5. Notes for Designated EHV Properties	24
EDCM LRIC costs	24
Charges for new Designated EHV Properties	24
Charges for amended Designated EHV Properties	24
Demand-side management	24
6. Electricity distribution rebates	26
7. Accounting and administration services	26
8. Charges for electrical plant provided ancillary to the grant of use of system	26
9. Schedule of fixed adders to recover Supplier of Last Resort and Eligible Bad Debt pass-through costs	26
10. Charges for Non-Final Demand Sites	28
11. Back-up Connections	29
Appendix 1 - Glossary	31
Appendix 2 - Guidance notes	40
Background	40
Meter point administration	40
Your charges	42
Reducing your charges	42
Reactive power and reactive power charges	43
Site-specific EDCM charges	43
Appendix 3 – Non-Final Demand Site Certificate	46
Annex 1 - Schedule of charges for use of the distribution system by LV and HV Designated Properties, and Unmetered Supplies	47
Annex 2 - Schedule of charges for use of the distribution system by Designated EHV Properties (including LDNOs with Designated EHV Properties/end-users)	48
Annex 3 - Schedule of charges for use of the distribution system by preserved/additional LLF classes	71
Annex 4 - Charges applied to LDNOs with LV and HV end-users	72
Annex 5 - Schedule of line loss factors	76
Annex 6 - Charges for New or Amended Designated EHV Properties	77
Annex 7 - Final Supplier of Last Resort and Bad Debt Pass-through Costs	78

1. Introduction

- 1.1. This statement tells you about our charges and the reasons behind them. It has been prepared consistent with Standard Licence Condition 14 of our Electricity Distribution Licence. The main purpose of this statement is to provide our schedule of charges¹ for the use of our Distribution System and to provide the schedule of Line Loss Factors² that should be applied in Settlement to account for losses from the Distribution System. We have also included guidance notes in Appendix 2 to help improve your understanding of the charges we apply.
- 1.2. Within this statement we use terms such as ‘Users’ and ‘Customers’ as well as other terms which are identified with initial capitalisation. These terms are defined in the glossary.
- 1.3. This statement reflects the changes which have been introduced as a result of Market Wide Half Hourly Settlement (MHHS³). Although the existing arrangements will continue to apply for Non-Migrated MPANs, the MHHS arrangements will be effective for any MPAN that has Migrated, any differences in treatment are highlighted throughout the document.
- 1.4. The charges in this statement are calculated using the following methodologies as per the Distribution Connection and Use of System Agreement (DCUSA)⁴:
- Common Distribution Charging Methodology (CDCM); for Low Voltage (LV) and High Voltage (HV) Designated Properties as per DCUSA Schedule 16;
 - Extra High Voltage (EHV) Distribution Charging Methodology (EDCM); for Designated EHV Properties as per DCUSA Schedule 18;
 - Price Control Disaggregation Model (PCDM); for Discount Percentages used to calculate the LDNO Use of System charges in the CDCM and EDCM as per DCUSA Schedule 29.
- 1.5. Separate charges are calculated depending on the characteristics of the connection and whether the use of the Distribution System is for demand or generation purposes. Where a generation connection is seen to support the Distribution System the charges will be negative and the Supplier will receive credits for exported energy.

¹ Charges can be positive or negative.

² Known as adjustment factors in the Distribution Licence and commonly referred to as Loss Adjustment Factors. The schedule of Line Loss Factors will be provided in a revised statement shortly after the Line Loss Factors for the relevant year have been successfully audited by Elexon.

³ Information relating to the Market wide HH Settlement Programme available from [Home - MHHS Programme](#)

⁴ Distribution and Connection Use of System Agreement (DCUSA) available from [DCUSA Document - DCUSA](#)

- 1.6. The application of charges to premises can usually be referenced using the Line Loss Factor Class (LLFC)/DUoS Tariff ID contained in the charge tables. Further information on how to identify and calculate the charge that will apply for your premises is provided in the guidance notes in Appendix 2.
- 1.7. All charges in this statement are shown **exclusive** of VAT. Invoices will include VAT at the applicable rate.
- 1.8. The annexes that form part of this statement are also available in spreadsheet format⁵. This spreadsheet contains supplementary information used for charging purposes and a simple model to assist you to calculate charges. This spreadsheet can be downloaded from www.nationalgrid.co.uk.

Validity period

- 1.9. This charging statement is valid for services provided from the effective date stated on the front of the statement and remains valid until updated by a revised version or superseded by a statement with a later effective date.
- 1.10. When using this charging statement, care should be taken to ensure that the relevant statement or statements covering the period that is of interest are used.
- 1.11. Notice of any revision to the statement will be provided to Users of our Distribution System (with the exception of updates to Annex 6; New or Amended EHV Sites which will be published as an addendum). The latest statements can be downloaded from www.nationalgrid.co.uk.

Contact details

- 1.12. If you have any questions about this statement, please contact us at this address:

Income Team
National Grid Electricity Distribution
Avonbank, Feeder Rd, Bristol
BS2 0TB
email: nged.pricing@nationalgrid.co.uk

- 1.13. All enquiries regarding connection agreements and changes to maximum capacities should be addressed to:



Connection Policy Engineer
National Grid Electricity Distribution

Herald Way, East Midlands Airport
Castle Donington
Derby
DE74 2TU
email: nged.connections@nationalgrid.co.uk

1.14. For enquiries regarding certification of Non-Final Demand sites, please contact:

Income Team
National Grid Electricity Distribution
Avonbank, Feeder Rd, Bristol
BS2 0TB
email: nged.nonfinaldemand@nationalgrid.co.uk

1.15. For all other queries please contact our general enquiries telephone number: 0800 096 3080; lines are open 08:00 – 18:00 Monday to Friday.

1.16. You can also find us on Facebook  and .

2. Charge application and definitions

2.1. The following section details how the charges in this statement are applied and billed to Users of our Distribution System.

The Supercustomer/Aggregated and site-specific billing approaches

2.2. We utilise two billing approaches depending on the type of metering data received:

- The Supercustomer / Aggregated approach for Customers for whom we receive aggregated consumption data through Settlement; and
- The 'Site-specific' approach for Customers for whom we receive site-specific consumption data through Settlement.

2.3. We receive aggregated consumption data through Settlement for:

Non-Migrated MPANs:

- Domestic and non-domestic Customers for whom Non-Half Hourly (NHH) metering data is used in Settlement (i.e., Customers with MPANs which are registered to Measurement Class A);
- Customers which are unmetered and are not settled as pseudo Half Hourly (HH) metered (i.e., Customers with MPANs which are registered to Measurement Class B);
- Domestic Customers for whom HH metering data is used in Settlement (i.e. Customers with MPANs which are registered to Measurement Class F); and
- Non-domestic Customers for whom HH metering data is used in Settlement and which have whole current (WC) metering (i.e. Customers with MPANs which are registered to Measurement Class G).

Migrated MPANs:

All Customers who have a Connection Type that indicates a Whole Current connection, i.e. with Connection Type 'W'.

2.4. We receive site-specific consumption data through Settlement for:

Non-Migrated MPANs:

- Customers for whom HH metering data is used in Settlement and which have current transformer (CT) metering (i.e. Customers with MPANs which are registered to Measurement Class C or E); and

- Customers which are unmetered and settled as pseudo HH metered (i.e. Customers with MPANs which are registered to Measurement Class D).

Migrated MPANs:

All Customers who have a Connection Type of 'L' Low Voltage, 'H' High Voltage, 'E' Extra-High Voltage or 'U' Unmetered.

Supercustomer / Aggregated billing and payment

- 2.5. The Supercustomer / Aggregated approach makes use of aggregated data obtained from Suppliers using the 'Aggregated Distribution Use of System (DUoS) Report' data flow for Non-Migrated MPANs, and the 'LDSO report for DUoS – aggregated data' message or the 'Embedded Network report for DUoS – aggregated data' message for Migrated MPANs.
- 2.6. Invoices are calculated on a periodic basis and sent to each User for whom we transport electricity through our Distribution System. Invoices are reconciled over a period of approximately 14 months to reflect later and more accurate consumption figures, this will reduce to four months following MHHS implementation).
- 2.7. The charges are applied on the basis of the LLFC/DUoS Tariff ID assigned to the MPAN, and the units consumed within the time periods specified in Annex 1. All LLFCs/DUoS Tariff IDs are assigned at our sole discretion, based on the tariff application rules set out in the appropriate charging methodology or elsewhere in this statement. Please refer to the section "Allocation of Charges' if you believe the allocated LLFC/DUoS Tariff ID or tariff is incorrect.

Supercustomer / Aggregated charges

- 2.8. Supercustomer / Aggregated charges include the following components:
- a fixed charge, pence/MPAN/day, there will only be one fixed charge applied to each MPAN; and
 - unit charges, pence/kilowatt-hour (kWh); three unit charges will apply depending on the time of day and the type of tariff for which the MPAN is registered.
- 2.9. Users who wish to supply electricity to Customers for whom we receive aggregated data through Settlement (see paragraph 2.3) will be allocated the relevant charge structure set out in Annex 1.
- 2.10. Identification of the appropriate charge can be made by cross-reference to the LLFC/DUoS Tariff ID.

- 2.11. For Non-Migrated MPANs the Valid Settlement Profile Class (PC)/Standard Settlement Configuration (SSC)/Meter Timeswitch Code (MTC) combinations for LLFC where the Metering System is Measurement Class A or B are detailed in Market Domain Data (MDD). For Migrated MPANs the appropriate reference data is contained in Industry Standing Data (ISD).
- 2.12. We do not apply a default tariff for invalid combinations.
- 2.13. The 'Domestic Aggregated (related MPAN)' and 'Non-Domestic Aggregated (related MPAN)' charges are supplementary to their respective primary MPAN charge.

Site-specific billing and payment

- 2.14. The site-specific billing and payment approach makes use of HH metering data at premises level received through Settlement.
- 2.15. Invoices are calculated on a periodic basis and sent to each User for whom we transport electricity through our Distribution System. Where an account is based on estimated data, the account shall be subject to any adjustment that may be necessary following the receipt of actual data from the User.
- 2.16. The charges are applied on the basis of the LLFC/DUoS Tariff ID assigned to the MPAN (or the (MSID) for Central Volume Allocation (CVA) sites), and the units consumed within the time periods specified in this statement.
- 2.17. All LLFCs/DUoS Tariff IDs are assigned at our sole discretion, based on the tariff application rules set out in the appropriate charging methodology or elsewhere in this statement. Please refer to the section 'Allocation of Charges' if you believe the allocated LLFC/DUoS Tariff ID or tariff is incorrect. Where an incorrectly applied LLFC/DUoS Tariff ID is identified, we may at our sole discretion apply the correct LLFC/DUoS Tariff ID and/or charges.

Site-specific billed charges

- 2.18. Site-specific billed charges for LV and HV Designated Properties may include the following components:
- a fixed charge, pence/MPAN/day or pence/MSID/day;
 - a capacity charge, pence/kilovolt-ampere (kVA)/day, for Maximum Import Capacity (MIC) and/or Maximum Export Capacity (MEC);
 - an excess capacity charge, pence/kVA/day, if a site exceeds its MIC and/or MEC;

- three unit charges, pence/kWh, depending on the time of day and the type of tariff for which the MPAN is registered; and
 - a reactive power charge, pence/kilovolt-ampere reactive hour (kVArh), for each unit in excess of the reactive charge threshold.
- 2.19. Site-specific billed charges for properties that are under transitional protection arrangements for BSC Modification P432 or MHHS will include only fixed and unit charges, in the same manner as Supercustomer / Aggregate charges, as described in 2.8.
- 2.20. Users who wish to supply electricity to Customers for whom we receive site-specific data through Settlement (see paragraph 2.4) will be allocated the relevant charge structure dependent upon the voltage and location of the Metering Point.
- 2.21. Fixed charges are generally levied on a pence per MPAN/MSID per day basis. Where two or more HH MPANs/MSIDs are located at the same point of connection (as identified in the Connection Agreement), with the same LLFC/DUoS Tariff ID, and registered to the same Supplier, only one daily fixed charge will be applied.
- 2.22. LV and HV Designated Properties will be charged in accordance with the CDCM and allocated the relevant charge structure set out in Annex 1.
- 2.23. Designated EHV Properties will be charged in accordance with the EDCM and allocated the relevant charge structure set out in Annex 2.
- 2.24. Where LV and HV Designated Properties or Designated EHV Properties have more than one point of connection (as identified in the Connection Agreement) then separate charges will be applied to each point of connection.

Components of Charges

Application of Residual Charges

- 2.25. The following sections explain the application of residual charges.

Final Demand Sites

- 2.26. Residual charges are recovered through fixed charges for all Final Demand Sites. All Non-Final Demand Sites must submit a valid certificate, as described in Section 10, and upon receipt of a valid certificate will be allocated to the relevant No Residual tariff.
- 2.27. All Back-up Connections must provide clear supporting documentary evidence to the reasonable satisfaction of the LDNO, as described in Section 11, and upon receipt of sufficient evidence will be allocated to the relevant No Residual tariff.

Residual Charging Bands

- 2.28. Residual charges are applied to Final Demand Sites on a banded basis, with all sites in a given charge band receiving the same residual charge. Domestic customers have a single charging band.
- 2.29. There are four non-domestic charging bands for each of the following groups:
- Designated Properties connected at LV, billing with no MIC;
 - Designated Properties connected at LV, billing with MIC;
 - Designated Properties connected at HV; and
 - Designated EHV Properties.
- 2.30. All non-domestic Final Demand customers are allocated into one of the four charging bands, for each relevant charge structure.
- 2.31. The residual charging band boundaries are calculated nationally based upon data from all LDNOs. The method and timing for calculating the residual charging band boundaries and the method and timing for allocating customers into the residual charging bands are set out in Schedule 32 of DCUSA.
- 2.32. The boundaries for the residual bands can be found in the 'Schedule of charges and other tables' spreadsheet on our website, as well as the mapping between the DUoS Tariff name and TNUOS site charging band.

Time periods

- 2.33. The time periods for the application of unit charges to metered LV and HV Designated Properties are detailed in Annex 1. We have not issued a notice to change the time bands.
- 2.34. The time periods for the application of unit charges to Unmetered Supply Exit Points are detailed in Annex 1. We have not issued a notice to change the time bands.
- 2.35. The time periods for the application of unit charges to Designated EHV Properties are detailed in Annex 2. We have not issued a notice to change the time bands.

Application of capacity charges

- 2.36. The following sections explain the application of capacity charges and exceeded capacity charges.

Chargeable capacity

- 2.37. The chargeable capacity is, for each billing period, the MIC/MEC, as detailed below.
- 2.38. The MIC/MEC will be agreed with us at the time of connection or pursuant to a later change in requirements. Following such an agreement (be it at the time of connection or later) no reduction in MIC/MEC will be allowed for a 12 month period.
- 2.39. Reductions to the MIC/MEC may only be permitted once in a 12 month period. Where the MIC/MEC is reduced the new lower level will be agreed with reference to the level of the Customer's maximum import and/or export demand respectively. The new MIC/MEC will be applied from the start of the next billing period after the date that the request was received. It should be noted that, where a new lower level is agreed, the original capacity may not be available in the future without the need for network reinforcement and associated charges.
- 2.40. In the absence of an agreement, the chargeable capacity, save for error or omission, will be based on the last MIC/MEC that we have previously agreed for the relevant premises' connection. A Customer can seek to agree or vary the MIC/MEC by contacting us using the contact details in section 1.12.

Exceeded capacity

- 2.41. Where a customer takes additional unauthorised capacity over and above the MIC/MEC, the excess will be classed as exceeded capacity. The exceeded portion of the capacity will be charged at the excess capacity charge p/kVA/day rate, based on the difference between the MIC/MEC and the actual capacity used. This will be charged for the full duration of the billing period in which the breach occurs.

Demand exceeded capacity

$$\text{Demand exceeded capacity} = \max(2 \times \sqrt{AI^2 + \max(RI, RE)^2} - MIC, 0)$$

Where:

AI = Active import (kWh)

RI = Reactive import (kVArh)

RE = Reactive export (kVArh)

MIC = Maximum import capacity (kVA)

- 2.42. Only reactive import and reactive export values occurring at times of active import are used in the calculation. Where data for two or more MPANs is aggregated for

billing purposes the HH consumption values are summated prior to the calculation above.

- 2.43. This calculation is completed for every half hour and the maximum value from the billing period is applied.

Generation exceeded capacity

$$\text{Generation exceeded capacity} = \max(2 \times \sqrt{AE^2 + \max(RI, RE)^2} - MEC, 0)$$

Where:

AE = Active export (kWh)

RI = Reactive import (kVArh)

RE = Reactive export (kVArh)

MEC = Maximum export capacity (kVA)

- 2.44. Only reactive import and reactive export values occurring at times of active export are used in the calculation. Where data for two or more MPANs is aggregated for billing purposes the HH consumption values occurring at times of kWh export are summated prior to the calculation above.

- 2.45. This calculation is completed for every half hour and the maximum value from the billing period is applied.

Standby capacity for additional security on site

- 2.46. Where standby capacity charges are applied, the charge will be set at the same rate as that applied to normal MIC. Should a customer's request for additional security of supply require the provision of capacity from two different sources, we reserve the right to charge for the capacity held at each source.

Minimum capacity levels

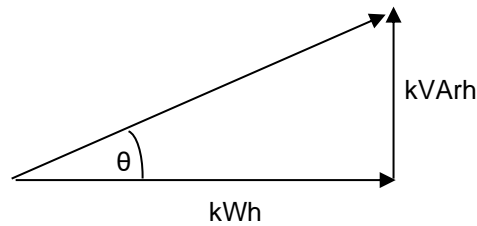
- 2.47. There is no minimum capacity threshold.

Application of charges for excess reactive power

- 2.48. When an individual HH metered MPAN's reactive power (measured in kVArh) at LV and HV Designated Properties exceeds 33% of its total active power (measured in kWh) in any given half hour, excess reactive power charges will apply. This threshold is equivalent to an average power factor of 0.95 during that half hour. Any reactive units in excess of the 33% threshold are charged at the rate appropriate to the particular charge.

- 2.49. Power Factor is calculated as follows:

Cos θ = Power Factor



2.50. The chargeable reactive power is calculated as follows:

Demand chargeable reactive power

$$\text{Demand chargeable kVArh} = \max\left(\max(RI, RE) - \left(\sqrt{\left(\frac{1}{0.95^2} - 1\right)} \times AI\right), 0\right)$$

Where:

AI = Active import (kWh)

RI = Reactive import (kVArh)

RE = Reactive export (kVArh)

2.51. Only reactive import and reactive export values occurring at times of active import are used in the calculation. Where data for two or more MPANs is aggregated for billing purposes the HH consumption values are summated prior to the calculation above.

2.52. The square root calculation will be to two decimal places.

2.53. This calculation is completed for every half hour and the values summated over the billing period.

Generation chargeable reactive power

$$\text{Generation chargeable kVArh} = \max\left(\max(RI, RE) - \left(\sqrt{\left(\frac{1}{0.95^2} - 1\right)} \times AE\right), 0\right)$$

Where:

AE = Active export (kWh)

RI = Reactive import (kVArh)

RE = Reactive export (kVArh)

- 2.54. Only reactive import and reactive export values occurring at times of active export are used in the calculation. Where data for two or more MPANs is aggregated for billing purposes the HH consumption values are summated prior to the calculation above.
- 2.55. The square root calculation will be to two decimal places.
- 2.56. This calculation is completed for every half hour and the values summated over the billing period.

Allocation of charges

- 2.57. It is our responsibility to apply the correct charges to each MPAN/MSID. The allocation of charges is based on the voltage of connection, import/export details including multiple MPANs, metering information and, for some tariffs, the metering location.
- 2.58. We are responsible for deciding the voltage of connection. Generally, this is determined by where the metering is located and where responsibility for the electrical equipment transfers from us to the connected Customer.
- 2.59. We are also responsible for allocating non-domestic customers into their residual charging bands. Allocation into residual charging bands is determined by consumption for customers billed under the Supercustomer / Aggregated approach and for properties that are under transitional protection arrangements for BSC Modification P432 or MHHS, and by the MIC for all other customers billed under the site-specific approach.
- 2.60. The Supplier determines and provides us with the metering information and data to enable us to allocate charges. The metering information and data is likely to change over time if, for example, a Supplier changes an MPAN from non-domestic to domestic following a change of use at the premise. When we are notified, this has happened we will change the allocation of charges accordingly.
- 2.61. If it has been identified that a charge may have been incorrectly allocated due to the metering information and/or data then a request for investigation should be made to the Supplier.
- 2.62. Where it has been identified that a charge is likely to be incorrectly allocated due to the voltage of connection; import/export details; metering location; or allocation to residual charging band then a request to investigate the applicable charges should be made to us. Requests from persons other than the Customer or the current Supplier must be accompanied by a Letter of Authority from the Customer; the

current Supplier must also acknowledge that they are aware a request has been made. Any request must be supported by an explanation of why it is believed that the current charge should be changed, along with supporting information including, where appropriate, photographs of metering positions or system diagrams. Any request to change the current charge that also includes a request for backdating must include justification as to why it is considered appropriate to backdate the change.

- 2.63. Where a residual charging band allocation cannot be resolved, the dispute process provided within DCUSA Schedule 32 should be followed.
- 2.64. An administration charge (covering our reasonable costs) may be made if a technical assessment or site visit is required, but we will not apply any charge where we agree to the change request.
- 2.65. Where we agree that the current LLFC/DUoS Tariff ID charge should be changed, we will then allocate the appropriate set of charges for the connection. Any adjustment will be applied from the date of the request, back to either the date of the incorrect allocation, or up to the maximum period specified by the Limitation Act (1980) in England and Wales, which covers a six-year period from the date of request; whichever is the shorter.
- 2.66. Any credit or additional charge will be issued to the relevant Supplier(s) effective during the period of the change.
- 2.67. Should we reject the request (as per paragraph 2.62) a justification will be provided to the requesting party. We shall not unreasonably withhold or delay any decision on a request to change the charges applied and would expect to confirm our position on the request within three months of the date of request.

Generation charges for pre-2005 designated EHV properties

- 2.68. Designated EHV Properties that were connected to the Distribution System under a pre-2005 connection charging policy are eligible for exemption from Use of System (UoS) charges for generation unless one of the following criteria has been met:
- 25 years have passed since their first energisation/connection date (i.e. Designated EHV Properties with Connection Agreements dated prior to 1st April 2005, and for which 25 years has passed since their first energisation/connection date will receive UoS charges for generation from the next charging year following the expiry of their 25 years exemption, (starting 1st April), or

- the person responsible for the Designated EHV Property has provided notice to us that they wish to opt in to UoS charges for generation.

If a notice to opt in has been provided there will be no further opportunity to opt out.

- 2.69. Furthermore, if an exempt Customer makes an alteration to its export requirement, then the Customer may be liable to be charged for the additional capacity required for energy imported or exported. For example, where a generator increases its export capacity the incremental increase in export capacity will attract UoS charges as with other non-exempt generators.

Provision of billing data

- 2.70. Where HH metering data is required for UoS charging and this is not provided in accordance with the BSC or DCUSA, such metering data shall be provided to us by the User of the system in respect of each calendar month within five working days of the end of that calendar month.
- 2.71. The metering data shall identify the amount of energy conveyed across the Metering System in each half hour of each day and shall separately identify active and reactive import and export. Metering data provided to us shall be consistent with that received through the metering equipment installed.
- 2.72. Metering data shall be provided in an electronic format specified by us from time to time and, in the absence of such specification, metering data shall be provided in a comma-separated text file in the format of data flow D0036⁶ for Non-Migrated MPANs, and the REP-900 message for Migrated MPANs (as agreed with us). The data shall be emailed to nged.duos@nationalgrid.co.uk.
- 2.73. We require details of reactive power imported or exported to be provided for all Measurement Class C and E sites for Non-Migrated MPANs, and for all Migrated MPANs with a Connection Type of 'L', 'H' or 'E'. It is also required for CVA sites and Exempt Distribution Network boundaries with difference metering. We reserve the right to levy a charge on Users who fail to provide such reactive data. In order to estimate missing reactive data, a power factor of 0.9 lag will be applied to the active consumption in any half hour.

Out of area use of system charges

- 2.74. We do not operate networks outside our Distribution Services Area.

⁶ Data Transfer Catalogue available from <https://www.electralink.co.uk/dtc-catalogue>

Licensed distribution network operator charges

- 2.75. Licensed Distribution Network Operator (LDNO) charges are applied to LDNOs who operate Embedded Networks within our Distribution Services Area.
- 2.76. The charge structure for LV and HV Designated Properties embedded in networks operated by LDNOs will mirror the structure of the 'All-the-way' charge and is dependent upon the voltage of connection of each embedded network to our Distribution System. The relevant charge structures are set out in Annex 4.
- 2.77. We do not apply a default tariff for invalid combinations.
- 2.78. The charge structure for Designated EHV Properties embedded in networks operated by LDNOs will be calculated individually using the EDCM. The relevant charge structures are set out in Annex 2.
- 2.79. For Nested Networks the relevant charging principles set out in DCUSA Schedule 21 will apply.

Licence exempt distribution networks

- 2.80. The Electricity and Gas (Internal Market) Regulations 2011⁷ introduced obligations on owners of licence exempt distribution networks (sometimes called private networks) including a duty to facilitate access to electricity and gas suppliers for Customers within those networks.
- 2.81. When Customers (both domestic and commercial) are located within a licence exempt distribution network and require the ability to choose their own Supplier this is called 'third party access'. These embedded Customers will require an MPAN so that they can have their electricity supplied by a Supplier of their choice.
- 2.82. Licence exempt distribution networks owners can provide third party access using either full settlement metering or the difference metering approach⁸.

Full settlement metering

- 2.83. This is where a licence exempt distribution network is set up so that each embedded installation has an MPAN and Metering System and therefore all Customers purchase electricity from their chosen Supplier. In this case there are no Settlement Metering Systems at the boundary between the licensed Distribution System and the licence exempt distribution network.

⁷ The Electricity and Gas (Internal Market) Regulations 2011 available from <http://www.legislation.gov.uk/uksi/2011/2704/contents/made>

⁸ Elexon's guide is available from <https://bscdocs.elexon.co.uk/guidance-notes/third-party-access-to-licence-exempt-distribution-networks>

2.84. In this approach our UoS charges will be applied to each MPAN.

Difference metering

2.85. This is where one or more, but not all, Customers on a licence exempt distribution network choose their own Supplier for electricity supply to their premises. Under this approach, the Customers requiring third party access on the licence exempt distribution network will have their own MPAN and must have a HH Metering System.

Shared Metering

2.86. This is where one or more Customers on a licence exempt distribution network choose their own Supplier for electricity supply to their premises, and the active import and/or active export meter readings at the boundary are apportioned between the Suppliers. Under this approach, the Customers requiring third party access on the licence exempt distribution network will have their own MPAN and must have a HH Metering System.

2.87. In this approach our UoS charges will be applied to each MPAN.

Gross settlement

2.88. Where one of our MPANs (Prefix 22) is embedded within a licence exempt distribution network connected to our Distribution System, and difference metering is in place for Settlement purposes and we receive gross measurement data for the boundary MPAN, we will continue to charge the boundary MPAN Supplier for use of our Distribution System. No charges will be levied by us directly to the Customer or Supplier of the embedded MPAN(s) connected within the licence exempt distribution network.

2.89. We require that gross metered data for the boundary of the connection is provided to us. Until a new industry data flow is introduced for the sending of such gross data, gross metered data shall:

- be provided in a text file in the format of the D0036 data flow;
- the text file shall be emailed to nged.duos@nationalgrid.co.uk;
- the title of the email should also contain the phrase “gross data for difference metered private network” and contain the metering reference specified by us in place of the Settlement MPAN; and

- the text filename shall be formed of the metering reference specified by us followed by a hyphen and followed by a timestamp in the format YYYYMMDDHHMMSS and followed by “.txt”.

2.90. For the avoidance of doubt, the reduced difference metered measurement data for the boundary connection that is to enter Settlement should continue to be sent using the Settlement MPAN.

Net settlement

2.91. Where one of our MPANs (Prefix 22) is embedded within a licence exempt distribution network connected to one of our Distribution Systems, and difference metering is in place for Settlement purposes, and we do **not** receive gross measurement data for the boundary MPAN, we will charge the boundary MPAN Supplier based on the net measurement for use of our Distribution System. Charges will also be levied directly to the Supplier of the embedded MPAN(s) connected within the licence exempt distribution network based on the actual data received.

3. Schedule of charges for use of the distribution system

- 3.1. Tables listing the charges for use of our Distribution System are published in annexes to this document.
- 3.2. These charges are also listed in a spreadsheet which is published with this statement and can be downloaded from www.nationalgrid.co.uk.
- 3.3. Annex 1 contains the charges applied to LV and HV Designated Properties.
- 3.4. Annex 2 contains the charges applied to our Designated EHV Properties and charges applied to LDNOs for Designated EHV Properties connected to their Distribution Systems.
- 3.5. Annex 3 contains details of any preserved and additional charges that are valid at this time. Preserved charges are mapped to an appropriate charge and are closed to new Customers.
- 3.6. Annex 4 contains the charges applied to LDNOs in respect of LV and HV Designated Properties connected to their Distribution Systems.

4. Schedule of line loss factors

Role of line loss factors in the supply of electricity

- 4.1. Electricity entering or exiting our Distribution System is adjusted to take account of energy that is lost⁹ as it is distributed through the network. This adjustment does not affect distribution charges but is used in energy settlement to take metered consumption to a notional Grid Supply Point so that Suppliers' purchases take account of the energy lost on the Distribution System.
- 4.2. We are responsible for calculating the Line Loss Factors (LLFs) and providing these to Elexon. Elexon is the company that manages the BSC.
- 4.3. LLFs are used to adjust the Metering System volumes to take account of losses on the Distribution System.

Calculation of line loss factors

- 4.4. LLFs are calculated in accordance with BSCP128, which sets out the procedure and principles with which our LLF methodology must comply. It also defines the procedure and timetable by which LLFs are reviewed and submitted.
- 4.5. LLFs are calculated for a set number of time periods during the year using either a generic or site-specific method. The generic method is used for sites connected at LV or HV and the site-specific method is used for sites connected at EHV or where a request for site-specific LLFs has been agreed. Generic LLFs will be applied as a default to all new EHV sites until sufficient data is available for a site-specific calculation.

Where the usage profile for a given site contains insufficiently large consumption or generation volumes to enable calculation of realistic site-specific LLFs then a default calculation, or default replacement process shall be undertaken.

A default replacement process shall be deemed to have been undertaken if a generic methodology is used where the following applies:

- (a) A Site has multiple connections to the total system and the primary connection is at EHV but there is a subordinate connection that is not connected at EHV, then a generic methodology may be used for the subordinate connection (even if a site-specific LLF is used for the Site's primary connection); and

⁹ Energy can be lost for technical and non-technical reasons and losses normally occur by heat dissipation through power flowing in conductors and transformers. Losses can also reduce if a customer's action reduces power flowing in the distribution network. This might happen when a customer generates electricity and the produced energy is consumed locally.

(b) The connection has a capacity of less than or equal to 1MVA

The definition of EHV used for LLF purposes differs from the definition used for defining Designated EHV Properties in the EDCM. The definition used for LLF purposes can be found in our LLF methodology, which can be found on the Elexon website¹⁰.

Publication of line loss factors

- 4.6. The LLFs used in Settlement are published on the Elexon Portal¹¹. The website contains the LLFs in standard industry data formats and in a summary form. A user guide with details on registering and using the portal is also available.
- 4.7. BSCP128 sets out the timetable by which LLFs are submitted and audited. The submission and audit occurs between September and December in the year prior to the LLFs becoming effective. Only after the completion of the audit at the end of December and BSC approval are the final LLFs published.
- 4.8. As this statement is published a complete year before the LLFs for the charging year have been produced, Annex 5 is intentionally left blank. This statement will be reissued with Annex 5 populated once the LLFs have been calculated and audited. This should typically be more than three months prior to the statement coming into force.
- 4.9. When using the tables in Annex 5, reference should be made to the LLFC allocated to a Non-Migrated MPAN or to the DUoS Tariff ID allocated to a Migrated MPAN to find the appropriate values.

¹⁰ BSCP128: Production, Submission, Audit and Approval of Line Loss Factors
<https://www.elexon.co.uk/csd/bscp128-production-submission-audit-and-approval-of-line-loss-factors/>

¹¹ The Elexon Portal can be accessed from www.elexonportal.co.uk

5. Notes for Designated EHV Properties

EDCM LRIC costs

- 5.1. A table is provided in the accompanying spreadsheet which shows the underlying Long Run Incremental Cost Pricing (LRIC) nodal costs used to calculate the current EDCM charges. This spreadsheet is available to download from our website www.nationalgrid.co.uk.
- 5.2. These are illustrative of the modelled costs at the time that this statement was published. A new connection will result in changes to current network utilisations, which will then form the basis of future prices. The charge determined in this statement will not necessarily be the charge in subsequent years because of the interaction between new and existing network connections and any other changes made to our Distribution System which may affect charges.

Charges for new Designated EHV Properties

- 5.3. Charges for any new Designated EHV Properties calculated after publication of the current statement will be published on our website in an addendum to that statement as and when necessary. The addendum will include charge information of the type found in Annex 2, and LLFs as found in Annex 5.
- 5.4. The form of the addendum is detailed in Annex 6 to this statement.
- 5.5. The new Designated EHV Properties' charges will be added to Annex 2 in the next full statement released.

Charges for amended Designated EHV Properties

- 5.6. Where an existing Designated EHV Property is modified and energised in the charging year, we may revise the EDCM charges for the modified Designated EHV Property. If revised charges are appropriate, an addendum will be sent to all relevant parties and published as a revised 'Schedule of Charges and other tables' spreadsheet on our website. The modified Designated EHV Property charges will be added to Annex 2 in the next full statement released.

Demand-side management

- 5.7. New or existing Designated EHV Property Customers may wish to offer part of their MIC to be interruptible by us (for active network management purposes other than normal planned or unplanned outages) in order to benefit from any reduced UoS charges calculated using the EDCM.

- 5.8. Several options exist in which we may agree for some or the entire MIC to be interruptible. Under the EDCM the applicable demand capacity costs would be based on the MIC minus the capacity subject to interruption.
- 5.9. If you are interested in making part or all of your MIC interruptible as an integral irrevocable feature of a new connection or modification to an existing connection you should in the first instance, contact our connections function;
- Online at <https://connections.nationalgrid.co.uk>
 - By email at nged.newsupplies@nationalgrid.co.uk
 - By telephone on 0800 0963080

You must make an express statement in your application that you have an interest in some or all of the import capacity being interruptible for active network management purposes.

- 5.10. If you are proactively interested in voluntarily but revocably offering to make some or all of your existing connection's MIC interruptible you should in the first instance, contact our Income Manager at the address in paragraph 1.13.
- 5.11. No adjustments are made in the EDCM for interruptible Maximum Export Capacity under Generation Side Management (GSM) agreements.
- 5.12. We also engage flexibility services from customers on a commercial basis, without adjustments in the EDCM. If you are interested in offering such services, please visit <https://www.flexiblepower.co.uk> or contact nged.flexiblepower@nationalgrid.co.uk

6. Electricity distribution rebates

- 6.1. We have neither given nor announced any DUoS rebates to Users in the 12 months preceding the date of publication of this version of the statement.

7. Accounting and administration services

- 7.1. We reserve the right to impose payment default remedies. The remedies are as set out in DCUSA where applicable or else as detailed in the following paragraph.
- 7.2. If any invoices that are not subject to a valid dispute remain unpaid on the due date, late payment interest (calculated at base rate plus 8%) and administration charges may be imposed.
- 7.3. Our administration charges are detailed in the following table. These charges are set at a level which is in line with the Late Payment of Commercial Debts Act;

Size of Unpaid Debt	Late Payment Fee
Up to £999.99	£40.00
£1,000 to £9,999.99	£70.00
£10,000 or more	£100.00

8. Charges for electrical plant provided ancillary to the grant of use of system

- 8.1. None.

9. Schedule of fixed adders to recover Supplier of Last Resort and Eligible Bad Debt pass-through costs

Supplier of Last Resort

- 9.1. In accordance with Standard Condition 38B 'Last Resort Supply Payment Claims' ('SLC38B') and Special Condition 6 'Pass-through expenditure' ('SpC6') of our Electricity Distribution Licence, our charges will recover the amount of payments in Regulatory Year t made in response to Last Resort Supply Payment claims.

Eligible Bad Debt

- 9.2. In accordance with SpC6, our charges will recover the amount of use of system bad debt the Authority has consented to be recovered. This represents use of system bad debt our charges are recovering on behalf of Independent Distribution Network

Operators (IDNOs), in accordance with Standard Licence Condition 38C 'Treatment of Valid Bad Debt Claims' ('SLC38C'), and specifically paragraph 4 of that condition.

Tables of Fixed Adders

- 9.3. Tables listing the charges to recover Supplier of Last Resort and Eligible Bad Debt pass-through costs are published in Annex 7 to this document. The charges are shown for information only and are already included in the final charges.

10. Non-Final Demand Sites

Charges for Non-Final Demand Sites

10.1. A Non-Final Demand Site is charged an import tariff that excludes the residual cost element of charges. If the User wishes for a property to qualify for allocation to these tariffs, then the User must submit certification declaring that the property meets the required criteria as per DCUSA.

Process for submitting certification

10.2. This certification should take the form as set out in Appendix 3 and be submitted to us using the contact details in 1.133.

We may, at our discretion, request a signed paper certificate from the User, in place of electronic. If requested, paper certification should be posted to the contact details in 1.13.

10.3. Users should undertake reasonable endeavours to ensure the facts attested to in the certification are true. We may request documentation evidencing these endeavours, including where appropriate, photographs of metering positions or system diagrams, following receipt of the certification.

10.4. If we determine that the documentation provided does not sufficiently evidence the undertaking of reasonable endeavours, does not support the facts attested to in the certification, or if no documentation is received, we may at our discretion reject the certification as invalid. If the certification is rejected as invalid, then the property will not qualify as a Non-Final Demand Site.

Application of charges for Non-Final Demand Sites

10.5. A property will only be deemed to qualify as a Non-Final Demand Site, and be allocated charges as such, from the date on which we receive valid certification.

10.6. If a property that has previously been certified as a Non-Final Demand Site no longer satisfies the criteria as per DCUSA, then the User must inform us immediately.

10.7. For a property that has been previously certified as a Non-Final Demand Site, we will continue to apply the relevant no residual import tariff without the requirement for further certification, except in any one of the following circumstances:

- Where we have reason to believe that the property no longer qualifies as a Non-Final Demand Site; or
- Significant time has passed since the certification was submitted; or
- Where there is a change to the connection characteristics i.e. capacity change.

If such circumstances occur, we may request re-certification of the site, or reject the certification as invalid at our discretion.

10.8. When a property no longer meets the required criteria to qualify as a Non-Final Demand Site, we will change the allocation of charges accordingly from that point.

10.9. Please refer to the section 'Incorrectly allocated charges' if you believe the property has been incorrectly not allocated charges as a Non-Final Demand Site.

11. Back-up Connections

Charges for Back-up Connections

11.1. A Back-up Connection is charged an import tariff that excludes the residual cost element of charges. If the User wishes for a MPAN/MSID to qualify for allocation to these tariffs, then the User must provide evidence necessary to satisfy the definition of Back-up Connection as per DCUSA.

Process for providing evidence

11.2. Users should undertake reasonable endeavours to ensure the facts attested to in the request are true. We may request documentation evidencing these endeavours, including where appropriate, photographs of metering positions or system diagrams.

11.3. If we determine that the documentation provided does not sufficiently evidence the undertaking of reasonable endeavours, does not support the facts attested to in the request, or if no documentation is received, we may at our discretion reject the evidence as invalid. If the evidence is rejected as invalid, then the property will not qualify as a Back-up Connection.

Application of charges for Back-up Connections

11.4. A MPAN/MSID will only be deemed to qualify as a Back-up Connection, and be allocated charges as such, from the first of the month following the date on which we receive valid evidence.

11.5. If a MPAN/MSID that has previously been appointed as a Back-up Connection no longer satisfies the criteria as per DCUSA, then the User must inform us immediately.

11.6. For a MPAN/MSID that has been previously certified as a Back-up Connection, we will continue to apply the relevant no residual import tariff without the requirement for further certification, except in any one of the following circumstances:

- Where we have reason to believe that the MPAN/MSID no longer qualifies as a Back-up Connection; or

- Significant time has passed since the evidence was submitted; or
- Where there is a change to the connection characteristics i.e. capacity change.

If such circumstances occur, we may request evidence to be provided again for the site, or reject the evidence as invalid at our discretion.

11.7. When a MPAN/MSID no longer meets the required criteria to qualify as a Back-up Connection, we will change the allocation of charges accordingly from that point.

11.8. Please refer to the section 'Incorrectly allocated charges' if you believe the MPAN/MSID has been incorrectly not allocated charges as a Back-up Connection.

Appendix 1 - Glossary

1.1. The following definitions, which can extend to grammatical variations and cognate expressions, are included to aid understanding:

Term	Definition
All-the-way Charge	A charge that is applicable to an end user rather than an LDNO. An end user in this context is a Supplier/User who has a registered MPAN or MSID and is using the Distribution System to transport energy on behalf of a Customer.
Back-up Connection	As defined in DCUSA Schedule 32.
Balancing and Settlement Code (BSC)	The BSC contains the governance arrangements for electricity balancing and settlement in Great Britain. An overview document is available from www.elexon.co.uk/ELEXON Documents/trading_arrangements.pdf .
Balancing and Settlement Code Procedure (BSCP)	A document of that title, as established or adopted and from time to time modified by the Panel in accordance with The Code, setting out procedures to be complied with (by Parties, Party Agents, BSC Agents, BSCCo, the Panel and others) in, and other matters relating to, the implementation of The Code;
Common Distribution Charging Methodology (CDCM)	The CDCM used for calculating charges to Designated Properties as required by standard licence condition 13A of the Electricity Distribution Licence.
Connection Agreement	An agreement between an LDNO and a Customer which provides that that Customer has the right for its connected installation to be and remain directly or indirectly connected to that LDNO's Distribution System
Central Volume Allocation (CVA)	As defined in the BSC.
Connection Type	Defines the physical connection as one of four valid types for metered supplies: 'W' Whole Current; 'L' Low Voltage (LV) Current Transformer; 'H' High Voltage (HV) Current Transformer; or 'E' Extra High Voltage (EHV) Current Transformer (E). It will also include a value of 'U' for unmetered connections.

Term	Definition
Customer	<p>A person to whom a User proposes to supply, or for the time being supplies, electricity through an exit point, or from who, a User or any relevant exempt supplier, is entitled to recover charges, compensation or an account of profits in respect of electricity supplied through an exit point;</p> <p>Or</p> <p>A person from whom a User purchases, or proposes to purchase, electricity, at an entry point (who may from time to time be supplied with electricity as a Customer of that User (or another electricity supplier) through an exit point).</p>
Designated EHV Properties	As defined in standard condition 13B of the Electricity Distribution Licence.
Designated Properties	As defined in standard condition 13A of the Electricity Distribution Licence.
Distribution Connection and Use of System Agreement (DCUSA)	<p>The DCUSA is a multi-party contract between the licensed electricity distributors, suppliers, generators and Offshore Transmission Owners of Great Britain.</p> <p>It is a requirement that all licensed electricity distributors and suppliers become parties to the DCUSA.</p>

Distributor IDs	These are unique IDs that can be used, with reference to the MPAN, to identify your LDNO. The charges for other network operators can be found on their website.		
	ID	Distribution Service Area	Company
	10	East of England	UK Power Networks
	11	East Midlands	National Grid Electricity
	12	London	UK Power Networks
	13	Merseyside and North Wales	Scottish Power
	14	Midlands	National Grid Electricity
	15	Northern	Northern Powergrid
	16	North Western	Electricity North West
	17	Scottish Hydro Electric (and embedded networks in other areas)	Scottish Hydro Electric Power Distribution plc
	18	South Scotland	Scottish Power
	19	South East England	UK Power Networks
	20	Southern Electric (and embedded networks in other areas)	Southern Electric Power Distribution plc
	21	South Wales	National Grid Electricity
	22	South Western	National Grid Electricity
	23	Yorkshire	Northern Powergrid
	24	All	Independent Power Networks
	25	All	ESP Electricity
	26	All	Energetics Electricity Ltd
	27	All	The Electricity Network Company Ltd
	29	All	Harlaxton Energy Networks
	30	All	Peel Electricity Networks Ltd
	31	All	UK Power Distribution Ltd
	32	All	Energy Assets Networks Limited
	33	All	Eclipse Power Networks Ltd
	34	All	Murphy Power Distribution Ltd
	35	All	Fulcrum Electricity Assets Ltd
	36	All	Vattenfall Networks Ltd
	37	All	Forbury Assets Limited
	38	All	Indigo Power Limited
	39	All	Stark Infra-Electricity Ltd

Term	Definition																								
	<table border="1"> <tr> <td data-bbox="616 232 687 282">40</td> <td data-bbox="687 232 1038 282">All</td> <td data-bbox="1038 232 1359 282">Utility Assets Limited</td> </tr> <tr> <td data-bbox="616 282 687 383">42</td> <td data-bbox="687 282 1038 383">All</td> <td data-bbox="1038 282 1359 383">Advanced Electricity Networks</td> </tr> <tr> <td data-bbox="616 383 687 427">43</td> <td data-bbox="687 383 1038 427">All</td> <td data-bbox="1038 383 1359 427">IDCSL</td> </tr> <tr> <td data-bbox="616 427 687 472">45</td> <td data-bbox="687 427 1038 472">All</td> <td data-bbox="1038 427 1359 472">Aurora Utilities Limited</td> </tr> <tr> <td data-bbox="616 472 687 517">46</td> <td data-bbox="687 472 1038 517">All</td> <td data-bbox="1038 472 1359 517">Aidien Limited</td> </tr> <tr> <td data-bbox="616 517 687 584">47</td> <td data-bbox="687 517 1038 584">All</td> <td data-bbox="1038 517 1359 584">Vital Energi Power Networks</td> </tr> <tr> <td data-bbox="616 584 687 651">48</td> <td data-bbox="687 584 1038 651">All</td> <td data-bbox="1038 584 1359 651">E.ON UK Network Assets Limited</td> </tr> <tr> <td data-bbox="616 651 687 703">51</td> <td data-bbox="687 651 1038 703">All</td> <td data-bbox="1038 651 1359 703">AGR Networks Ltd</td> </tr> </table>	40	All	Utility Assets Limited	42	All	Advanced Electricity Networks	43	All	IDCSL	45	All	Aurora Utilities Limited	46	All	Aidien Limited	47	All	Vital Energi Power Networks	48	All	E.ON UK Network Assets Limited	51	All	AGR Networks Ltd
40	All	Utility Assets Limited																							
42	All	Advanced Electricity Networks																							
43	All	IDCSL																							
45	All	Aurora Utilities Limited																							
46	All	Aidien Limited																							
47	All	Vital Energi Power Networks																							
48	All	E.ON UK Network Assets Limited																							
51	All	AGR Networks Ltd																							
Distribution Network Operator (DNO)	An electricity distributor that operates one of the 14 distribution services areas and in whose Electricity Distribution Licence the requirements of Section B of the standard conditions of that licence have effect.																								
Distribution Services Area	The area specified by the Gas and Electricity Markets Authority within which each DNO must provide specified distribution services.																								
Distribution System	<p>The system consisting (wholly or mainly) of electric lines owned or operated by an authorised distributor that is used for the distribution of electricity from:</p> <ul style="list-style-type: none"> • Grid Supply Points or generation sets or other entry points <p>to the points of delivery to:</p> <ul style="list-style-type: none"> • Customers or Users or any transmission licensee in its capacity as operator of that licensee's transmission system or the Great Britain (GB) transmission system and includes any remote transmission assets (owned by a transmission licensee within England and Wales) that are operated by that authorised distributor and any electrical plant, electricity meters, and metering equipment owned or operated by it in connection with the distribution of electricity, but does not include any part of the GB transmission system. 																								
DUoS Tariff Id	An identifier assigned to an SVA metering system which is used to assign the use of system charges for Migrated MPANs																								
EHV Distribution Charging Methodology (EDCM)	The EDCM used for calculating charges to Designated EHV Properties as required by standard licence condition 13B of the Electricity Distribution Licence.																								
Electricity Distribution Licence	The Electricity Distribution Licence granted or treated as granted pursuant to section 6(1) of the Electricity Act 1989.																								
Electricity Distributor	Any person who is authorised by an Electricity Distribution Licence to distribute electricity.																								

Term	Definition
Embedded Network	An electricity Distribution System operated by an LDNO and embedded within another Distribution System.
Embedded Network report for DUoS – aggregated data	A report of data by IDNO's DUoS Tariff ID and by IDNO providing counts of MPANs and units consumed
Engineering Recommendation P2/6	A document of the Energy Networks Association, which defines planning standards for security of supply and is referred to in Standard Licence Condition 24 of the Electricity Distribution Licence.
Entry Point	A boundary point at which electricity is exported onto a Distribution System from a connected installation or from another Distribution System, not forming part of the total system (boundary point and total system having the meaning given to those terms in the BSC).
Exit Point	A point of connection at which a supply of electricity may flow from the Distribution System to the Customer's installation or User's installation or the Distribution System of another person.
Extra High Voltage (EHV)	Nominal voltages of 22kV and above.
Final Demand Site	As defined in DCUSA Schedule 32.
Gas and Electricity Markets Authority (GEMA)	As established by the Utilities Act 2000.
Grid Supply Point (GSP)	A metered connection between the National Grid Electricity Transmission system and the licensee's distribution system at which electricity flows to or from the Distribution System.
GSP group	A distinct electrical system that is supplied from one or more GSPs for which total supply into the GSP group can be determined for each half hour.
High Voltage (HV)	Nominal voltages of at least 1kV and less than 22kV.
Industry Standing Data (ISD)	Industry Standing Data (ISD) is the reference data used in Settlement processes under MHHS.
Invalid Settlement Combination	A Settlement combination that is not recognised as a valid combination in market domain data - see https://www.elexonportal.co.uk/MDDVIEWER .
kVA	Kilovolt ampere.
kVArh	Kilovolt ampere reactive hour.
kW	Kilowatt.
kWh	Kilowatt hour (equivalent to one "unit" of electricity).
LDSO report for DUoS – aggregated data	A report of data by DUoS Tariff ID and Supplier providing counts of MPANs and units consumed

Term	Definition
Licensed Distribution Network Operator (LDNO)	The holder of a Licence to distribute electricity.
Line Loss Factor (LLF)	The factor that is used in Settlement to adjust the metering system volumes to take account of losses on the distribution system.
Line Loss Factor Class (LLFC)	An identifier assigned to an SVA metering system which is used to assign the LLF and use of system charges for Non-Migrated MPANs.
Load Factor	$= \frac{\text{annual consumption (kWh)}}{\text{maximum demand (kW)} \times \text{hours in year}}$
Low Voltage (LV)	Nominal voltages below 1kV.
LV Substation Tariff	This tariff applies as described in DCUSA Schedule 16 Section 141, Note 3, where the metering CT is within 10m by cable route of the HV/LV substation transformation chamber.
Market Domain Data (MDD)	MDD is a central repository of reference data available to all Users involved in Settlement. It is essential to the operation of SVA trading arrangements. More information can be found here Market Domain Data - Elexon BSC
Market Segment	<p>Market Segment is derived from the Meter Type and Connection Type using a defined set of business rules.</p> <p>There are three Market Segments:</p> <ul style="list-style-type: none"> • Smart and Non-Smart (Including Smart Meters with Settlement Period level data available, Smart Meters with only Register Readings available and Non-Smart Meters with Register Readings); • Advanced (which are Advanced Metering Systems with Settlement Period level data available); • Unmetered
Market-Wide HH Settlement (MHHS)	Market-wide Half-Hourly Settlement (MHHS) is a key enabler of the flexibility to support the transition to Net Zero. The MHHS Programme will contribute to a more cost-effective electricity system, encouraging more flexible use of energy and helping consumers lower their bills.
Maximum Export Capacity (MEC)	The MEC of apparent power expressed in kVA that has been agreed can flow through the entry point to the Distribution System from the Customer's installation as specified in the connection agreement.
Maximum Import Capacity (MIC)	The MIC of apparent power expressed in kVA that has been agreed can flow through the exit point from the Distribution System to the Customer's installation as specified in the connection agreement.

Term	Definition
Measurement Class	<p>A classification of Metering Systems used in the BSC which indicates how consumption is measured, i.e.:</p> <ul style="list-style-type: none"> • Measurement Class A – non-half hourly metering equipment; • Measurement Class B – non-half hourly unmetered supplies; • Measurement Class C – half hourly metering equipment at or above 100kW premises; • Measurement Class D – half hourly unmetered supplies; • Measurement Class E – half hourly metering equipment below 100kW premises with CT; • Measurement Class F – half hourly metering equipment at below 100kW premises with CT or whole current, and at domestic premises; and • Measurement Class G – half hourly metering equipment at below 100kW premises with whole current and not at domestic premises.
Meter Timeswitch Code (MTC)	<p>MTCs are three digit codes allowing suppliers to identify the metering installed in Customers' premises. They indicate whether the meter is single or multi-rate, pre-payment or credit, or whether it is 'related' to another meter. Further information can be found in MDD.</p>
Metering Point	<p>The point at which electricity that is exported to or imported from the licensee's Distribution System is measured, is deemed to be measured, or is intended to be measured and which is registered pursuant to the provisions of the REC. For the purposes of this statement, GSPs are not 'Metering Points'.</p>
Metering Point Administration Number (MPAN)	<p>A number relating to a Metering Point under the REC.</p>
Metering System	<p>Particular commissioned metering equipment installed for the purposes of measuring the quantities of exports and/or imports at the exit point or entry point.</p>
Metering System Identifier (MSID)	<p>MSID is a term used throughout the BSC and its subsidiary documents and has the same meaning as MPAN as used under the REC.</p>
Migrated MPANs	<p>Migration refers to the process by which MPANs are migrated from the legacy arrangements to the new MHHS arrangements.</p>
Nested Networks	<p>This refers to a situation where there is more than one level of Embedded Network and therefore nested Distribution Systems between LDNOs (e.g. host DNO → primary nested DNO → secondary nested DNO → customer).</p>
Non-Final Demand (NFD) Site	<p>As defined in DCUSA Schedule 32.</p>

Term	Definition
Non-Migrated MPANs	This refers to the status when an MPAN is on the legacy arrangements and before migrating under MHHS.
Ofgem	Office of Gas and Electricity Markets – Ofgem is governed by GEMA and is responsible for the regulation of the distribution companies.
Profile Class (PC)	A categorisation applied to NHH MPANs and used in settlement to group customers with similar consumption patterns to enable the calculation of consumption profiles.
Retail Energy Code (REC)	A code that consolidates the switching arrangements historically set out in the Master Registration Agreement (MRA) and the Supply Point Administration Agreement (SPAA) (for gas) into one dual-fuel code. Provides a governance mechanism to manage the processes established between electricity suppliers and distribution companies to enable electricity suppliers to transfer customers. It includes terms for the provision of Metering Point Administration Services (MPAS) Registrations.
Settlement	The determination and settlement of amounts payable in respect of charges (including reconciling charges) in accordance with the BSC.
Settlement Class (SC)	The combination of Profile Class, Line Loss Factor Class, Time Pattern Regime and Standard Settlement Configuration, by Supplier within a GSP group and used for Settlement.
Standard Settlement Configuration (SSC)	A standard metering configuration relating to a specific combination of Time Pattern Regimes.
Supercustomer	The method of billing Users for use of system on an aggregated basis, grouping together consumption and standing charges for all similar NHH metered Customers or aggregated HH metered Customers. Also referred to as Aggregate billing.
Supercustomer DUoS Report	A report of profiled data by Settlement Class providing counts of MPANs and units consumed.
Supplier	An organisation with a supply licence responsible for electricity supplied to and/or exported from a metering point.
Supplier Volume Allocation (SVA)	As defined in the BSC.
Time Pattern Regime (TPR)	The pattern of switching behaviour through time that one or more meter registers follow.
Unmetered Supplies	Exit points deemed to be suitable as unmetered supplies as permitted in the Electricity (Unmetered Supply) Regulations 2001 and where operated in accordance with BSC procedure 520 ¹² .

¹² Balancing and Settlement Code Procedures are available from <http://www.elexon.co.uk/pages/bscps.aspx>

Term	Definition
Use of System Charges	Charges which are applicable to those parties which use the Distribution System.
User	Someone that has a use of system agreement with the DNO e.g. a supplier, generator or other LDNO.

Appendix 2 - Guidance notes¹³

Background

- 1.1. The electricity bill from your Supplier contains an element of charge to cover electricity distribution costs. This distribution charge covers the cost of operating and maintaining a safe and reliable Distribution System that forms the 'wires' that transport electricity between the national transmission system and end users such as homes and businesses. Our Distribution System includes overhead lines, underground cables, as well as substations and transformers.
- 1.2. In most cases, your Supplier is invoiced for the distribution charge and this is normally part of your total bill. In some cases, for example business users, the Supplier may pass through the distribution charge as an identifiable line item on the electricity bill.
- 1.3. Where electricity is generated at a premises your Supplier may receive a credit for energy that is exported on to the Distribution System. These credits are intended to reflect that the exported generation may reduce the need for traditional demand led reinforcement of the Distribution System.
- 1.4. Understanding your distribution charges could help you reduce your costs and increase your credits. This is achieved by understanding the components of the charge to help you identify whether there may be opportunities to change the way you use the Distribution System.

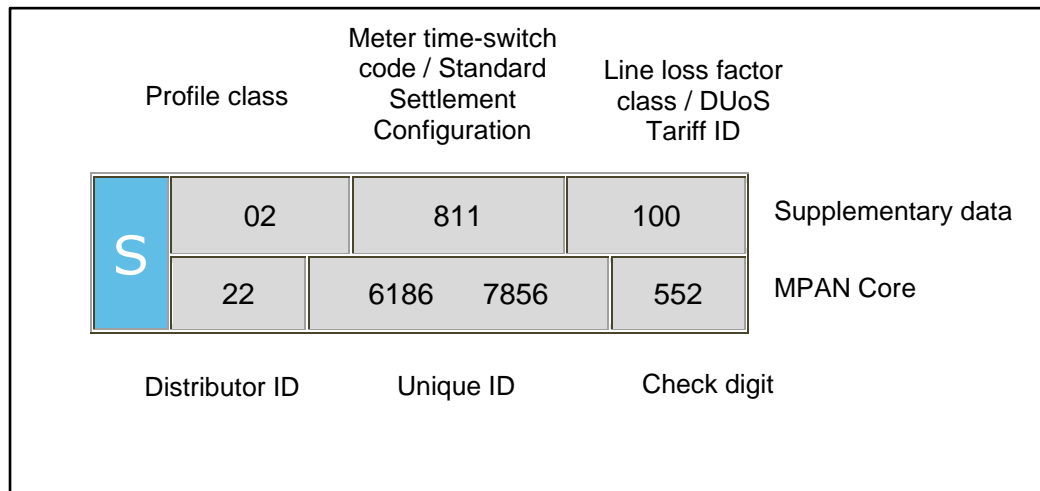
Meter point administration

- 1.5. We are responsible for managing the electricity supply points that are connected to our Distribution System. Typically, every supply point is identified by a Meter Point Administration Number (MPAN). A few supply points may have more than one MPAN depending on the metering configuration (e.g. a school which may have an MPAN for the main supply and an MPAN for catering).
- 1.6. The full MPAN is a 21 digit number, preceded by an 'S' and includes supplementary data. The MPAN applicable to a supply point is found on the electricity bill from your Supplier. This number enables you to establish who your electricity distributor is, details of the characteristics of the supply and importantly the distribution charges that are applicable to your premises.

¹³ These guidance notes are provided for additional information and do not form part of the application of charges.

- 1.7. The 21-digit number is normally presented in two sections as shown in the following diagram. The top section is supplementary data which gives information about the characteristics of supply, while the bottom 'core' is the unique identifier.

Full MPAN diagram



- 1.8. Generally, you will only need to know the Distributor ID and LLFC/DUoS Tariff ID to identify the distribution charges for your premises. However, there are some premises where charges are specific to that site. In these instances, the charges are identified by the MPAN core. The Distributor ID for SWEB is 22. Other Distributor IDs can be referenced in the glossary.

- 1.9. Additionally, it can be useful to understand the profile class provided in the supplementary data. The profile class will be a number between 00 and 08. The following list provides details of the allocation of profile classes to types of customers:

- '01' – Domestic customers with unrestricted supply
- '02' – Domestic customers with restricted load, for example off-peak heating
- '03' – Non-domestic customers with unrestricted supply
- '04' – Non-domestic customers with restricted load, for example off-peak heating
- '05' – Non-domestic maximum demand customers with a Load Factor of less than 20%
- '06' – Non-domestic maximum demand customers with a Load Factor between 20% and 30%
- '07' – Non-domestic maximum demand customers with a Load Factor between 30% and 40%

- '08' – Non-domestic maximum demand customers with a Load Factor over 40% or non-half hourly metered generation customers
 - '00' – Half-hourly metered, demand and generation customers (including all Migrated MPANs)
- 1.10. Unmetered Supplies will be allocated to profile class 01, 08 or 00 depending on the type of load or the measurement method of the load.
- 1.11. The allocation of the profile class will affect your charges for Non-Migrated MPANs. If you feel that you have been allocated the wrong profile class, please contact your Supplier as they are responsible for this.

Your charges

- 1.12. All distribution charges that relate to our Distributor ID 22 are provided in this statement.
- 1.13. You can identify your charges by referencing your LLFC/DUoS Tariff ID, from Annex 1. If the MPAN is for a Designated EHV Property, then the charges will be found in Annex 2. In a few instances, the charges may be contained in Annex 3 or Annex 6. When identifying charges in Annex 2, please note that some LLFC/DUoS Tariff IDs have more than one charge. In this instance, you will need to select the correct charge by cross-referencing with the MPAN core provided in the table.
- 1.14. Once you have identified which charge structure applies to your MPAN then you will be able to calculate an estimate of your distribution charge using the calculator provided in the spreadsheet 'Schedule of charges and other tables' found in the sheet called 'Charge Calculator'. This spreadsheet can be downloaded from www.nationalgrid.co.uk.

Reducing your charges

- 1.15. The most effective way to reduce your energy charges is to reduce your consumption by switching off or using more energy efficient appliances. However, there are also other potential opportunities to reduce your distribution charges; for example, it may be beneficial to shift demand or generation to a better time period. Demand use is likely to be cheaper outside peak periods and generation credits more beneficial during peak periods, although the ability to directly benefit will be linked to the structure of your supply charges.

- 1.16. The calculator mentioned above provides the opportunity to establish a forecast of the change in distribution charges that could be achieved if you are able to change any of the consumption related inputs.

Reactive power and reactive power charges

- 1.17. Reactive power is a separately charged component of connections that are half hourly metered. Reactive power charges are generally avoidable if 'best practice' design of the properties' electrical installation has been provided in order to maintain a power factor between 0.95 and unity at the Metering Point.
- 1.18. Reactive Power (kVAh) is the difference between working power (active power measured in kW) and total power consumed (apparent power measured in kVA). Essentially it is a measure of how efficiently electrical power is transported through an electrical installation or a Distribution System.
- 1.19. Power flowing with a power factor of unity results in the most efficient loading of the Distribution System. Power flowing with a power factor of less than 0.95 results in much higher losses in the Distribution System, a need to potentially provide higher capacity electrical equipment and consequently a higher bill for you the consumer. A comparatively small improvement in power factor can bring about a significant reduction in losses since losses are proportional to the square of the current.
- 1.20. Different types of electrical equipment require some 'reactive power' in addition to 'active power' in order to work effectively. Electric motors, transformers and fluorescent lighting, for example, may produce poor power factors due to the nature of their inductive load. However, if good design practice is applied then the poor power factor of appliances can be corrected as near as possible to source. Alternatively, poor power factor can be corrected centrally near to the meter.
- 1.21. There are many advantages that can be achieved by correcting poor power factor. These include: reduced energy bills through lower reactive charges, lower capacity charges and reduced power consumption and reduced voltage drop in long cable runs.

Site-specific EDCM charges

- 1.22. A site classified as a Designated EHV Property is subject to a locational-based charging methodology (referred to as EDCM) for higher voltage network users. Distributors use one of two approved approaches: Long Run Incremental Cost

(LRIC) or Forward Cost Pricing (FCP); we use the LRIC. The EDCM will apply to Customers connected at EHV or connected at HV and metered at an EHV/HV Substation.

1.23. EDCM charges and credits are site-specific, reflecting the degree to which the local and higher voltage networks have the capacity to serve more demand or generation without the need to upgrade the electricity infrastructure. The charges also reflect the networks specifically used to deliver the electricity to the site as well as the usage at the site. Generators with non-intermittent output and deemed to be providing beneficial support to our networks may qualify to receive credit.

1.24. The charges under the EDCM comprise of the following individual components:

a) **Fixed charge (pence/MPAN/day)** - This charge recovers operational costs associated with those connection assets that are provided for the 'sole' use of the customer and a residual amount to ensure recovery of our regulated allowed revenue.

b) **Capacity charge (pence/kVA/day)** - This charge comprises the relevant LRIC component, the National Grid Electricity Transmission cost and other regulated costs.

Capacity charges are levied on the MIC, MEC, and any exceeded capacity. You may wish to review your MIC or MEC periodically to ensure it remains appropriate for your needs as you may be paying for more capacity than you require. If you wish to make changes contact us via the details in paragraph 1.13

The LRIC cost is locational and reflects our assessment of future network reinforcement necessary at the voltage of connection (local) and beyond at all higher voltages (remote) relevant to the customer's connection. This results in the allocation of higher costs in more capacity congested parts of the network reflecting the greater likelihood of future reinforcement in these areas, and the allocation of lower costs in less congested parts of the network. The local LRIC cost is included in the capacity charge.

Our regulated costs include direct and indirect operational costs. The capacity charge recovers these costs using the customer usage profile and the relevant assets being used to transport electricity between the source substation and customer's Metering Point.

c) **Super-red unit charge (pence/kWh)** - This charge recovers the remote LRIC component. The charge is positive for import and negative for export which means you can either reduce your charges by minimising consumption or increasing export at those times. The charge is applied to consumption during the Super-red time period as detailed in Annex 2.

1.25. Future charge rates may be affected by consumption during the Super-red period, therefore reducing consumption in the Super-red time period may be beneficial.

1.26. **Reactive Power** - The EDCM does not include a separate charge component for any reactive power flows (kVAr) for either demand or generation. However, the EDCM charges do reflect the effect on the network of the customer's power factor; for example, unit charges can increase if your site power factor is poor (lower than 0.95). Improving your site's power factor will also reduce the maximum demand (kVA) for the same power consumed in kW thus providing scope to reduce your agreed capacity requirements.

Appendix 3 – Non-Final Demand Site Certificate

A certificate set out in the form of the example shown below should be submitted to confirm that a site qualifies as a Non-Final Demand Site.

Non-Final Demand Site Certificate of Compliance	
<p>This is to certify that the Metering System listed below qualifies as compliant with the criteria of a Non-Final Demand Site, for the purposes of Use of System charges, and that:</p> <p>The property is a Single Site at which either or both Electricity Storage and/or Electricity Generation occurs (whether the facility(ies) at the site are operating or being commissioned, repaired or decommissioned), and that:</p> <ul style="list-style-type: none"> a) has an export Metering Point or Metering System and an import Metering Point or Metering System with associated metering equipment which only measures export from Electricity Storage and/or Electricity Generation and import for or directly relating to Electricity Storage and/or Electricity Generation (and not export from another source and/or import for another activity); and <ul style="list-style-type: none"> i) if registered in an MPAS Registration System, is subject to certification from a Supplier Party that the site meets the criteria in paragraph (a) above, which certificate has been provided to the DNO/IDNO Party; or ii) if registered in CMRS, is subject to certification from the Customer (or its CVA Registrant) that the site meets the criteria in paragraph (a) above, which certificate has been provided to the DNO/IDNO Party. <p>For the purposes of this declaration, the term Non-Final Demand Site has the meaning given to it in the DCUSA.</p>	
Metering System Site Address:	
Qualifying Import MPAN/MSID(s)	Qualifying Export MPAN/MSID(s)
<p>I declare that I understand the qualification requirements and certify that the above Metering System meets the criteria of a Non-Final Demand Site.</p> <p>Authorised signatory:</p> <p>Name and designation:</p> <p>On behalf of company:</p> <p>Date:</p>	

Annex 1 - Schedule of Charges for use of the Distribution System by LV and HV Designated Properties

National Grid Electricity Distribution (South West) plc - Effective from 1 April 2027 - Final LV and HV charges

Time Bands for LV and HV Designated Properties			
Time periods	Red Time Band	Amber Time Band	Green Time Band
Monday to Friday (Including Bank Holidays) All Year	17:00 to 19:00	07:30 to 17:00 19:00 to 21:30	00:00 to 07:30 21:30 to 24:00
Saturday and Sunday All Year		16:30 to 19:30	00:00 to 16:30 19:30 to 24:00
Notes	All the above times are in UK Clock time		

Time Bands for Unmetered Properties			
	Black Time Band	Yellow Time Band	Green Time Band
Monday to Friday (Including Bank Holidays) Nov to Feb Inclusive (excluding 22nd Dec to 4th Jan inclusive)	17:00 to 19:00	07:30 to 17:00 19:00 to 21:30	00:00 to 07:30 21:30 to 24:00
Monday to Friday (Including Bank Holidays) Mar to Oct Inclusive (plus 22nd Dec to 4th Jan inclusive)		07:30 to 21:30	00:00 to 07:30 21:30 to 24:00
Saturday and Sunday All year		16:30 to 19:30	00:00 to 16:30 19:30 to 24:00
Notes	All the above times are in UK Clock time		

Tariff name	Open LLFCs/DUoS Tariff Id	PCs	Red/black unit charge p/kWh	Amber/yellow unit charge p/kWh	Green unit charge p/kWh	Fixed charge p/MPAN/day	Capacity charge p/kVA/day	Exceeded capacity charge p/kVA/day	Reactive power charge p/kVAh	Closed LLFCs/DUoS Tariff Id
Domestic Aggregated or CT with Residual	10,20,30,40,202, L21,L22,L23,L24,D01, A21,A22,A23,A24	0, 1, 2	25.395	2.026	0.200	17.83				
Domestic Aggregated (Related MPAN)	430	2	25.395	2.026	0.200					
Non-Domestic Aggregated or CT No Residual	N10,N20,N30,L50,L60,L70, L80,X10,X20,X30,A50,A60, A70,A80	0, 3, 4, 5-8	24.844	1.982	0.196	19.25				
Non-Domestic Aggregated or CT Band 1	1,2,3,110,203,210,L41,L42, L43,L44,X11,X21,X31,A51, A61,A71,A81	0, 3, 4, 5-8	24.844	1.982	0.196	22.53				
Non-Domestic Aggregated or CT Band 2	N12,N22,N32,L52,L62,L72, L82,X12,X22,X32,A52,A62, A72,A82	0, 3, 4, 5-8	24.844	1.982	0.196	32.59				
Non-Domestic Aggregated or CT Band 3	N13,N23,N33,L53,L63,L73, L83,X13,X23,X33,A53,A63, A73,A83	0, 3, 4, 5-8	24.844	1.982	0.196	46.07				
Non-Domestic Aggregated or CT Band 4	N14,N24,N34,L54,L64,L74, L84,X14,X24,X34,A54,A64, A74,A84	0, 3, 4, 5-8	24.844	1.982	0.196	84.44				
Non-Domestic Aggregated (related MPAN)	251	4	24.844	1.982	0.196					
LV Site Specific No Residual	L00, LST	0	15.429	1.097	0.111	19.09	12.91	12.91	0.253	
LV Site Specific Band 1	570	0	15.429	1.097	0.111	142.31	12.91	12.91	0.253	
LV Site Specific Band 2	L02	0	15.429	1.097	0.111	240.23	12.91	12.91	0.253	
LV Site Specific Band 3	L03	0	15.429	1.097	0.111	370.59	12.91	12.91	0.253	
LV Site Specific Band 4	L04	0	15.429	1.097	0.111	797.99	12.91	12.91	0.253	
LV Sub Site Specific No Residual	S00, SST	0	9.821	0.496	0.054	14.90	11.05	11.05	0.139	
LV Sub Site Specific Band 1	540	0	9.821	0.496	0.054	138.12	11.05	11.05	0.139	
LV Sub Site Specific Band 2	S02	0	9.821	0.496	0.054	236.04	11.05	11.05	0.139	
LV Sub Site Specific Band 3	S03	0	9.821	0.496	0.054	366.41	11.05	11.05	0.139	
LV Sub Site Specific Band 4	S04	0	9.821	0.496	0.054	793.80	11.05	11.05	0.139	
HV Site Specific No Residual	H00, HST	0	7.500	0.288	0.033	137.54	10.62	10.62	0.097	
HV Site Specific Band 1	510	0	7.500	0.288	0.033	1035.09	10.62	10.62	0.097	
HV Site Specific Band 2	H02	0	7.500	0.288	0.033	2208.42	10.62	10.62	0.097	
HV Site Specific Band 3	H03	0	7.500	0.288	0.033	4821.80	10.62	10.62	0.097	
HV Site Specific Band 4	H04	0	7.500	0.288	0.033	9159.74	10.62	10.62	0.097	
Unmetered Supplies	977, 980, 978, 979, 970	0, 1 or 8	75.808	4.150	2.062					
LV Generation Aggregated	581	0	-15.280	-1.219	-0.121	0.00				
LV Sub Generation Aggregated	551	0	-13.109	-0.975	-0.097	0.00				
LV Generation Site Specific	581, 527	0	-15.280	-1.219	-0.121	0.00			0.312	
LV Generation Site Specific no RP charge	91, 92	0	-15.280	-1.219	-0.121	0.00				
LV Sub Generation Site Specific	551, 526	0	-13.109	-0.975	-0.097	0.00			0.224	
LV Sub Generation Site Specific no RP charge	93, 94	0	-13.109	-0.975	-0.097	0.00				
HV Generation Site Specific	521, 524	0	-8.196	-0.414	-0.045	86.08			0.187	
HV Generation Site Specific no RP charge	95, 96	0	-8.196	-0.414	-0.045	86.08				

Note: Where a tariff only has a p/kWh unit rate in Unit Charge 1 then this unit rate applies at all times.

Annex 2 - Schedule of Charges for use of the Distribution System by Designated EHV Properties (including LDNOs with Designated EHV Properties/end-users).

National Grid Electricity Distribution (South West) plc - Effective from 1 April 2027 - Final Designated EHV charges

Time Periods for Designated EHV Properties	
Time periods	Super Red Time Band
Monday to Friday (Including Bank Holidays) Nov to Feb inclusive (excluding 22nd Dec to 4th Jan inclusive)	17:00 to 19:00
Notes	All the above times are in UK Clock time

Import Unique Identifier	LLFC/DUoS Tariff Id	Import MPANs/MSIDs	Export Unique Identifier	LLFC/DUoS Tariff Id	Export MPANs/MSIDs	Name	Residual Charging Band	Import Super Red unit charge (p/kWh)	Import fixed charge (p/day)	Import capacity charge (p/kVA/day)	Import exceeded capacity charge (p/kVA/day)	Export Super Red unit charge (p/kWh)	Export fixed charge (p/day)	Export capacity charge (p/kVA/day)	Export exceeded capacity charge (p/kVA/day)
100	100	2200043334176	218	218	2200043334167	Bowerhouse 2		0.479	9.69	1.47	1.47		753.55	0.05	0.05
102	102	2200043437137	220	220	2200043437119	Feeder Road Battery		1.193	605.59	1.11	1.11	-1.887	637.44	0.05	0.05
103	103	2200043663886	221	221	2200043663900	Beavor Grange Farm PV 33kV		0.333	2.40	2.44	2.44		726.57	0.05	0.05
104	104	2200043539655	222	222	2200043539664	Church Path Solar Park 33kV (formerly known as Aller Langport PV)		0.495	10.56	1.86	1.86		718.41	0.05	0.05
105	105	2200043726199	223	223	2200043726427	Liverton Farm (STOR Boundary)		0.289	3.88	1.38	1.38	-0.783	291.99	0.05	0.05
106	106	2200043668528	224	224	2200043668537	Horsey Level PV 33kV		0.494	61.33	2.05	2.05		4171.78	0.05	0.05
107	107	2200043745689	225	225	2200043745698	NIRO PV (Rockebear)		9.067	38.73	4.08	4.08		1718.35	0.05	0.05
108	108	2200043795388	226	226	2200043795397	Hunstrete 33kV Solar Park (formerly known as Marksbury B PV 33kV)		12.263	47.29	3.52	3.52		4824.96	0.05	0.05
109	109	2200043848826	227	227	2200043848835	Gammaton Moor PV 132kV			81.89	1.65	1.65		8356.44	0.05	0.05
112	112	2200043963732	229	229	2200043963760	Limebury PV 33kV		0.825	15.03	10.51	10.51		797.35	0.05	0.05
113	113	2200043956248	230	230	2200043956293	Court Barton PV 33kV		0.091	8.82	1.66	1.66		720.15	0.05	0.05
114	114	2200043979991	231	231	2200043980000	Howgrove PV 33kV		0.490	14.00	5.93	5.93		1957.27	0.05	0.05
115	115	2200044059614	232	232	2200044061029	East Rightadown PV 33kV		0.164	17.93	4.88	4.88		711.04	0.05	0.05
198	198	2200042805690				Rolls Royce TT	2	1.921	5650.24	1.37	1.37				
199	199	2200030347110 2200032209547				University of Exeter	2	10.192	6866.13	2.74	2.74				
200	200	2200030348815	964	964	2200042999603	Ernesettle BS 11kV (Kawasaki)	1	2.302	1204.31	1.98	1.98		8.12	0.05	0.05
204	204	2200042689299				Ashwater Auxillary Supply		0.144	5.58	3.43	3.43				
250	250	2200042755073	529	529	2200042755082	Otterham Wind Farm Phase 3 (STOR)		0.848	75.66	1.08	1.08	-0.869	1163.47	0.05	0.05
262	262	2200042291210	373	373	2200042291229	Till House			25.69	1.35	1.35		2068.37	0.05	0.05
263	263	2200042297550	374	374	2200042297587	Outlands Wood	1	1.121	1029.51	7.59	7.59		794.42	0.05	0.05
264	264	2200042305476	375	375	2200042305485	Culmhead			8.07	3.48	3.48		2314.47	0.05	0.05
265	265	2200042308031	376	376	2200042308040	Whitchurch Farm PV		12.020	1.68	5.67	5.67		840.38	0.05	0.05
266	266	2200042312872	377	377	2200042312881	Kingsland Barton		1.459	7.27	2.17	2.17		763.74	0.05	0.05
267	267	2200042314986	378	378	2200042314995	Mendip Solar PV Farm		12.155	3.19	5.81	5.81		811.46	0.05	0.05
268	268	2200042315730	379	379	2200042315749	St Stephen PV		1.346	11.15	4.23	4.23		2622.55	0.05	0.05
269	269	2200042315776	380	380	2200042315785	Trewidland farm PV		2.349	12.52	2.78	2.78		2086.27	0.05	0.05
270	270	2200042316751	381	381	2200042316789	Watchfield Lawn		0.526	10.80	4.56	4.56		976.50	0.05	0.05
271	271	2200042382620	382	382	2200042382639	Gover Park		6.858	12.18	1.94	1.94		1887.42	0.05	0.05
272	272	2200042323128	383	383	2200042323137	North Wayton		1.160	24.33	1.46	1.46		1803.00	0.05	0.05
273	273	2200042324450	384	384	2200042324460	Week Farm		0.825	50.91	10.44	10.44		3225.48	0.05	0.05
274	274	2200042326040	385	385	2200042326059	Cullompton		3.204	37.04	5.84	5.84		2519.80	0.05	0.05
275	275	2200042329078	386	386	2200042329087	Dinder Farm		12.739	15.80	7.57	7.57		1065.10	0.05	0.05
277	277	2200042329050	388	388	2200042329069	Pitts Farm		12.734	22.05	7.36	7.36		1058.40	0.05	0.05
278	278	2200042333678	389	389	2200042333687	Kerriers		1.126	61.49	8.97	8.97		10035.56	0.05	0.05
279	279	2200042333701	390	390	2200042333710	Ernesettle Lane		1.557	970.04	1.16	1.16		881.85	0.05	0.05
281	281	2200042340220	392	392	2200042340230	Goonhilly Solar Park		6.905	18.84	7.90	7.90		746.11	0.05	0.05
282	282	2200042348665	393	393	2200042348674	Nanteague		3.987	41.32	1.85	1.85		4734.97	0.05	0.05
283	283	2200042340745	394	394	2200042340824	Bidwell Dartington PV		2.500	9.06	2.50	2.50		1811.43	0.05	0.05
284	284	2200042343212	395	395	2200042343221	New Row Farm		12.876	14.87	13.24	13.24		1160.19	0.05	0.05
285	285	2200042354205	396	396	2200042354214	Woodland Barton Windfarm	1	3.893	1130.50	3.34	3.34		8106.37	0.05	0.05
286	286	2200042387497	397	397	2200042387502	Four Burrows 2		4.031	18.95	3.84	3.84		2273.59	0.05	0.05
287	287	2200042398211	398	398	2200042398220	Redlands Farm		0.502	14.86	2.47	2.47		2616.11	0.05	0.05
288	288	2200042400882	399	399	2200042400891	Tengore Lane PV		0.121	14.24	2.80	2.80		1691.44	0.05	0.05
289	289	2200042400864	400	400	2200042400873	Liverton Farm (PV)		0.289	4.85	1.77	1.77	-0.783	474.51	0.05	0.05
290	290	2200042407860	401	401	2200042407879	Yonder Parks Farm		2.622	22.97	6.42	6.42		2729.10	0.05	0.05
291	291	2200042410310	402	402	2200042410339	Somerton Door		0.116	9.00	2.35	2.35		891.32	0.05	0.05
292	292	2200042414858	403	403	2200042414867	Carditch Drove		0.477	4.42	2.13	2.13		763.96	0.05	0.05
293	293	2200042417798	404	404	2200042417803	Capelands Farm		1.472	3.16	2.26	2.26		792.64	0.05	0.05

Note: The list of MPANs / MSIDs provided may be incomplete; the DNO reserves the right to apply the listed charges to any other MPANs / MSIDs associated with the site.

Annex 2 - Schedule of Charges for use of the Distribution System by Designated EHV Properties (including LDNOs with Designated EHV Properties/end-users).

Import Unique Identifier	LLFC/DUoS Tariff Id	Import MPANs/MSIDs	Export Unique Identifier	LLFC/DUoS Tariff Id	Export MPANs/MSIDs	Name	Residual Charging Band	Import Super Red unit charge (p/kWh)	Import fixed charge (p/day)	Import capacity charge (p/kVA/day)	Import exceeded capacity charge (p/kVA/day)	Export Super Red unit charge (p/kWh)	Export fixed charge (p/day)	Export capacity charge (p/kVA/day)	Export exceeded capacity charge (p/kVA/day)
294	294	2200042418791	405	405	2200042418807	East Youlstone WF		0.074	164.55	5.29	5.29		6582.13	0.05	0.05
295	295	2200042437359	406	406	2200042437368	Francis Court Farm		8.854	9.28	3.44	3.44		1051.54	0.05	0.05
296	296	2200042443316	407	407	2200042443325	Northwood		1.190	3.24	4.57	4.57		1853.25	0.05	0.05
297	297	2200042443352	408	408	2200042443361	Tricky Warren			12.03	2.52	2.52		937.99	0.05	0.05
298	298	2200042447000	409	409	2200042447019	Iwood Lane		0.476	3.09	4.71	4.71		989.76	0.05	0.05
299	299	2200042446984	410	410	2200042446993	Rydon Farm		7.286	48.65	2.41	2.41		6689.05	0.05	0.05
300	300	2200042352537 2200042446966 2200042475150 2200043422567	411	411	2200042446975	Balls Wood		13.680	29.94	5.11	5.11		5852.71	0.05	0.05
301	301	2200042457480	412	412	2200042457499	Ashlawn Farm		0.494	16.84	9.28	9.28		1677.38	0.05	0.05
302	302	2200042457903	413	413	2200042457912	Pencoose Farm		6.195	17.99	2.51	2.51		2374.80	0.05	0.05
303	303	2200042457986	414	414	2200042457995	Hawkers Farm		0.118	30.61	3.16	3.16		797.34	0.05	0.05
304	304	2200042459557	415	415	2200042459566	Hurcott		0.343	3.17	4.78	4.78		835.30	0.05	0.05
305	305	2200042461290	416	416	2200042461306	Garvinack		4.014	146.91	2.91	2.91		6772.99	0.05	0.05
306	306	2200042462179	417	417	2200042462188	New Barton		1.161	113.74	3.49	3.49		14436.44	0.05	0.05
307	307	2200042465160	418	418	2200042465170	Coombeshead Farm		2.559	2.52	3.72	3.72		965.54	0.05	0.05
308	308	2200042465189	419	419	2200042465198	Walland Farm		0.825	18.56	10.13	10.13		796.09	0.05	0.05
309	309	2200042467594	420	420	2200042467600	Ashcombe		7.534	22.46	3.86	3.86		1366.21	0.05	0.05
310	310	2200042469875	421	421	2200042469893	Newnham Farm		13.761	104.67	3.04	3.04		9378.18	0.05	0.05
311	311	2200042473463	422	422	2200042473472	Roskrow Barton PV		6.375	13.75	8.63	8.63		2032.91	0.05	0.05
312	312	2200042473445	423	423	2200042473454	Parkview Solar		2.614	10.06	3.29	3.29		1018.78	0.05	0.05
313	313	2200042475169	424	424	2200042475178	Towerhead Farm		0.479	19.78	2.12	2.12		2571.78	0.05	0.05
314	314	2200042475196	425	425	2200042475201	Rookery Farm		0.479	10.99	1.70	1.70		1483.59	0.05	0.05
315	315	2200042475415	426	426	2200042475424	Bystock Farm		0.290	331.85	1.24	1.24		3337.51	0.05	0.05
316	316	2200042475433				Pylle PV Import Boundary		13.037	10.79	11.87	11.87				
317	317	2200042475823	428	428	2200042475832	Burthly PV		1.331	4.06	2.80	2.80		1352.78	0.05	0.05
318	318	2200042480610	429	429	2200042480656	Wilton Farm PV		2.297	10.92	2.08	2.08		1020.77	0.05	0.05
319	319	2200042484873	431	431	2200042484882	Woodmanton (Coombe) Farm		0.291	21.62	2.28	2.28		2573.08	0.05	0.05
320	320	2200042484846	432	432	2200042484855	Higher Bye Farm			14.46	1.62	1.62		1683.02	0.05	0.05
321	321	2200042530730	433	433	2200042530740	Wilton Farm WF		2.297	140.89	1.27	1.27		1408.86	0.05	0.05
322	322	2200042533411	434	434	2200042533420	Denzell Downs WF		0.184	150.76	2.17	2.17		10579.09	0.05	0.05
323	323	2200042541583	435	435	2200042541635	Puriton Landfill PV_1 Rainbow		0.505	7.19	4.07	4.07		898.28	0.05	0.05
324	324	2200042557281	436	436	2200042557290	Portworthy Dams PV_1		13.918	23.47	3.13	3.13		1173.75	0.05	0.05
325	325	2200042616556				Wick Farm Boundary Import		0.134	9.00	4.29	4.29				
326	326	2200043348684	494	494	2200043348709	Carland Cross (PV)	1	4.099	1027.28	1.76	1.76	-5.294	196.50	0.05	0.05
327	327	2200042552600	439	439	2200042552646	Batsworthy WF		1.470	347.31	1.58	1.58		22300.73	0.05	0.05
328	328	2200042557306	440	440	2200042557315	Portworthy Dams PV_2		13.918	23.47	3.02	3.02		1056.37	0.05	0.05
329	329	2200042563211				Crewkerne PV shared imports		0.377	18.85	6.54	6.54				
331	331	2200042569134	443	443	2200042569161	Tonedale Farm PV			246.85	2.40	2.40		2267.03	0.05	0.05
332	332	2200042541644	444	444	2200042541653	Puriton Landfill PV_2 SSB		0.505	7.19	3.97	3.97		808.45	0.05	0.05
333	333	2200042582446	447	447	2200042582455	Red Hill Farm			20.31	3.04	3.04		1603.12	0.05	0.05
334	334	2200042574222	446	446	2200042574231	Chelwood		12.091	26.63	2.78	2.78		2291.63	0.05	0.05
335	335	2200042592913	448	448	2200042592922	West Carclaze1		3.785	12.53	2.16	2.16		1954.69	0.05	0.05
336	336	2200042592931	449	449	2200042592940	West Carclaze2		3.785	6.27	1.86	1.86		977.34	0.05	0.05
337	337	2200042495680	450	450	2200042495670	Northmoor (embd) PV			5.51	1.52	1.52		525.45	0.05	0.05
338	338	2200042540687	451	451	2200042540678	Nmoor Little Tinney WF			2.75	1.02	1.02		56.28	0.05	0.05
339	339	2200042540696	452	452	2200042540710	Nmoor East Balsdon WF			2.75	1.05	1.05		56.28	0.05	0.05
340	340	2200042598135	453	453	2200042598144	Nmoor Hornacott PV			5.51	1.40	1.40		525.45	0.05	0.05
341	341	2200042601346	454	454	2200042601355	Oakham Farm		0.075	18.29	19.04	19.04		1418.36	0.05	0.05
342	342	2200042603237	455	455	2200042603246	Carnemough Farm		1.355	22.82	1.74	1.74		3802.60	0.05	0.05
343	343	2200042689252	456	456	2200042689261	Ashwater WT Site 1	1	0.144	1029.42	3.48	3.48		139.57	0.05	0.05
345	345	2200042620162	458	458	2200042620171	Great Houndbeare 2		1.029	73.60	3.36	3.36		3064.01	0.05	0.05
346	346	2200042620205	459	459	2200042620214	Withy Drove		0.520	110.27	2.71	2.71		4736.09	0.05	0.05
348	348	2200042620250	461	461	2200042620260	Fitzwarren (Montys) Farm			8.25	3.62	3.62		3212.17	0.05	0.05
350	350	2200042622035	463	463	2200042622044	Dunsland Cross WF		0.139	13.27	3.86	3.86		715.70	0.05	0.05
351	351	2200042626944	464	464	2200042626953	Trerule Farm		2.231	30.23	1.76	1.76		2133.36	0.05	0.05
352	352	2200042627140	465	465	2200042627159	Nancrossa		6.126	3.26	4.61	4.61		814.81	0.05	0.05
353	353	2200042637885	466	466	2200042637894	Wick Farm West		0.134	10.68	4.29	4.29		755.99	0.05	0.05
354	354	2200042655528	467	467	2200042655537	(LWeston ntw) Severn Community		0.389	225.93	1.14	1.14		3009.34	0.05	0.05
356	356	2200042679592	469	469	2200042679608	Tamerton Bridge STOR		1.599	18.11	1.43	1.43	-2.439	1905.75	0.05	0.05
357	357	2200042689270	470	470	2200042689280	Ashwater PV Site 2		0.144	5.58	3.63	3.63		1161.25	0.05	0.05
358	358	2200042722608	471	471	2200042722617	Bodwen		3.890	27.67	3.81	3.81		4479.60	0.05	0.05
359	359	2200042729774	472	472	2200042729783	Sharland Farm PV		8.378	57.03	12.97	12.97		2549.11	0.05	0.05

Note: The list of MPANs / MSIDs provided may be incomplete; the DNO reserves the right to apply the listed charges to any other MPANs / MSIDs associated with the site.

Annex 2 - Schedule of Charges for use of the Distribution System by Designated EHV Properties (including LDNOs with Designated EHV Properties/end-users).

Import Unique Identifier	LLFC/DUoS Tariff Id	Import MPANs/MSIDs	Export Unique Identifier	LLFC/DUoS Tariff Id	Export MPANs/MSIDs	Name	Residual Charging Band	Import Super Red unit charge (p/kWh)	Import fixed charge (p/day)	Import capacity charge (p/kVA/day)	Import exceeded capacity charge (p/kVA/day)	Export Super Red unit charge (p/kWh)	Export fixed charge (p/day)	Export capacity charge (p/kVA/day)	Export exceeded capacity charge (p/kVA/day)
360	360	2200042733460	473	473	2200042733479	Stoneshill Farm	1	3.123	1059.59	2.94	2.94		2860.24	0.05	0.05
361	361	2200042733850	474	474	2200042733869	Nmor Parsonage Wood PV			5.51	1.25	1.25		384.37	0.05	0.05
362	362	2200042738705	475	475	2200042738714	Axe View Way PV		0.338	11.72	2.18	2.18		947.25	0.05	0.05
363	363	2200042742491	476	476	2200042742507	Place Barton Farm		2.563	24.29	2.58	2.58		2202.42	0.05	0.05
364	364	2200042742516	477	477	2200042742525	Old Stone Farm		2.635	15.15	5.99	5.99		1346.83	0.05	0.05
367	367	2200042784482	480	480	2200042784491	Lockleaze Battery Storage		1.178	686.00	1.17	1.17	-1.519	722.08	0.05	0.05
368	368	2200043210930	491	491	2200043210940	West Holcombe PV	1	3.194	1060.64	3.97	3.97		1029.15	0.05	0.05
369	369	2200043245180	492	492	2200043245190	Hallen 33kV Battery		0.053	1827.44	0.82	0.82	-0.053	1923.60	0.05	0.05
370	370	2200043332959	493	493	2200043332940	Two Post Cross PV		0.468	9.65	2.57	2.57	-3.886	837.00	0.05	0.05
600	600	2200032010850	601	601	2200031824542	Imerys1(Blackpool)	2	3.636	5838.83	1.18	1.18		0.01	0.05	0.05
602	602	2200043470729	784	784	2200043470710	Lower Litchardon PV			33.50	1.29	1.29		3350.09	0.05	0.05
603	603	2200042461315	785	785	2200042461324	Otterham WT Feeder1		0.848	2.70	1.00	1.00		27.02	0.05	0.05
604	604	2200042501410	786	786	2200042501429	Otterham WT Feeder2		0.848	2.70	1.03	1.03		194.54	0.05	0.05
607	607	2200042141133	789	789	2200042141142	Wyld Meadow		0.329	17.91	1.73	1.73		1755.23	0.05	0.05
608	608	2200042141259	791	791	2200042141277	Prince Rock	1	6.025	1548.16	0.96	0.96	-6.393	551.91	0.05	0.05
612	612	2200032168607	765	765	2200032168616	Bradon Farm		0.473	300.41	1.36	1.36	-0.686	3885.32	0.05	0.05
613	613	2200040848888	766	766	2200031664357	Carland Cross (WF Boundary)	1	4.099	1061.75	1.41	1.41	-5.294	492.96	0.05	0.05
614	614	2200030511311	767	767	2200031822971	Cold Northcott		1.199	22.11	25.52	25.52	-59.701	796.05	0.05	0.05
615	615	2200040863404	768	768	2200040863399	Forestmoor 1		0.077	21.06	5.40	5.40				
616	616	2200040863431	769	769	2200040863422	Forestmoor 2		0.077	21.06	5.39	5.39				
617	617	2200030109831	770	770	2200031823558	Four Burrows		4.088	41.25	2.89	2.89		1856.34	0.05	0.05
618	618	2200042384194	783	783	2200042384200	Canworthy PV			9.51	1.60	1.60		1560.34	0.05	0.05
619	619	2200030112133	775	775	2200031823530	St Breock		1.141	33.62	18.93	18.93		1867.84	0.05	0.05
620	620	2200030348790	723	723	2200042334148	DML - Central		5.613	4918.71	0.86	0.86	-5.621	4942.07	0.05	0.05
623	623	2200042602289	748	748	2200042602298	Denbrook WF		0.489	85.61	1.00	1.00		8746.00	0.05	0.05
624	624	2200041804437	747	747	2200041804446	Hayle Wave Hub		8.495		1.78	1.78		1041.95	0.05	0.05
626	626	2200040571113	752	752	2200040571122	Cannon Bridge		2.422	45.92	7.39	7.39	-17.905	1530.60	0.05	0.05
627	627	2200040979020	753	753	2200040979039	Chelson		6.033	28.93	1.18	1.18	-6.746	867.96	0.05	0.05
628	628	2200041957685	754	754	2200041253506	Darracott		1.582	55.86	14.65	14.65		1017.51	0.05	0.05
629	629	2200040164245	764	764	2200040164254	Bears Down		0.187	12.23	2.54	2.54		2936.20	0.05	0.05
632	632	2200040473921	757	757	2200040473940	St Day	1	6.173	1469.21	1.68	1.68	-8.089	1169.11	0.05	0.05
633	633	2200041499771	758	758	2200041499762	Shooters Bottom		12.126	24.68	4.17	4.17		1410.54	0.05	0.05
634	634	2200041625596	760	760	2200041625587	Heathfield	1	7.428	1061.16	2.54	2.54	-11.396	746.48	0.05	0.05
635	635	2200041845860	761	761	2200041845850	Goonhilly		6.905	17.25	7.97	7.97		1379.99	0.05	0.05
636	636	2200041786674	762	762	2200041786683	Delabole		1.166	20.55	17.65	17.65		1890.87	0.05	0.05
637	637	2200041930489	763	763	2200041930498	Fullabrook	1		1583.76	1.61	1.61		48625.33	0.05	0.05
638	638	2200043200997				Hermerdon Mine	2	11.329	6190.61	2.36	2.36				
639	639	2200042142094	724	724	2200042142410	Luxulyan(Trenoweth Farm)		3.868	8.10	4.80	4.80		2339.21	0.05	0.05
642	642	2200042142439	725	725	2200042142457	Woodland Barton PV 33kV Gen		1.326	25.65	1.79	1.79		2565.35	0.05	0.05
643	643	2200041978773	726	726	2200041978782	Manor PV Farm 33kV		3.838	7.64	2.46	2.46		1061.29	0.05	0.05
644	644	2200041978852	727	727	2200041978861	Churchtown Farm PV 33kV		7.125	5.70	3.82	3.82		791.81	0.05	0.05
645	645	2200041978791	728	728	2200041978807	Trenouth PV 33kV		0.189	39.18	2.72	2.72		3134.40	0.05	0.05
647	647	2200041979874	732	732	2200041979883	Howton Farm PV 33kV		1.497	7.66	3.38	3.38		1094.28	0.05	0.05
649	649	2200042682406	734	734	2200042682424	Newton Downs Farm		13.914	93.03	2.59	2.59		1651.14	0.05	0.05
652	652	2200041978728	735	735	2200041978737	East Langford PV 33kV		0.076	7.72	6.61	6.61		1102.79	0.05	0.05
653	653	2200042194279	736	736	2200042194288	NINNIS PV 33kV Gen		3.845	16.99	1.96	1.96		1685.52	0.05	0.05
654	654	2200042208824	737	737	2200042208833	Willsland PV 33kV Gen		0.217	8.30	5.83	5.83		1095.77	0.05	0.05
655	655	2200042141151	738	738	2200042141160	Eastcombe PV 33kV Gen		0.122	13.35	4.44	4.44		1703.74	0.05	0.05
656	656	2200042172879	739	739	2200042172888	Bratton Flemming PV		1.470	8.53	2.39	2.39		852.88	0.05	0.05
657	657	2200042196736	740	740	2200042196745	Beaford Brook PV		1.687	4.31	22.39	22.39		862.83	0.05	0.05
658	658	2200042206604	742	742	2200042206613	Park Wall PV		0.087	5.41	3.16	3.16		1082.82	0.05	0.05
659	659	2200042198501	743	743	2200042198520	Bradford Solar Park		0.069	65.03	2.91	2.91		6503.02	0.05	0.05
662	662	2200041982938	744	744	2200041982947	Causilgey PV 33kV Gen		4.047	5.15	3.85	3.85		926.29	0.05	0.05
663	663	2200042042966	745	745	2200042042975	Beechgrove Farm PV 33kV		0.329	3.36	3.28	3.28		1079.40	0.05	0.05
664	664	2200041857484	772	772	2200031825680	Isles of Scilly		28.348	80.83	1.06	1.06	-28.350	484.98	0.05	0.05
665	665	2200042019345	666	666	2200042019354	BLACKDITCH 33kV		0.510	0.85	6.74	6.74		728.12	0.05	0.05
669	669	2200030348718	806	806	2200041310085	Avonmouth Docks Boundary	2	1.348	7147.23	2.11	2.11				
673	673	2200042534070	586	586	2200042534080	CERC St Dennis	2		6147.54	0.98	0.98	-0.037	2999.98	0.05	0.05
674	674	2200042538720	587	587	2200042538749	Sevenside Energy Recovery Centre	2		6878.19	0.72	0.72		14528.70	0.05	0.05
675	675	2200042787377	588	588	2200042787386	Old Green Wind Farm			6.84	0.97	0.97	-0.008	393.23	0.05	0.05
676	676	2200043649507	589	589	2200043649516	Old Green Battery			569.90	0.98	0.98	-0.008	599.88	0.05	0.05
678	678	2200043698337	590	590	2200043698364	Otterham WF Extension		0.848	1.08	1.11	1.11		54.04	0.05	0.05
679	679	2200043698898	591	591	2200043698903	Tregeen AD(OTHM1)		0.848	5.40	0.98	0.98	-0.869	43.23	0.05	0.05
680	680	2200043841290	592	592	2200043841306	Tale Lane PV ESS 132kV			1879.31	1.38	1.38	-0.073	1917.65	0.05	0.05

Note: The list of MPANs / MSIDs provided may be incomplete; the DNO reserves the right to apply the listed charges to any other MPANs / MSIDs associated with the site.

Annex 2 - Schedule of Charges for use of the Distribution System by Designated EHV Properties (including LDNOs with Designated EHV Properties/end-users).

Import Unique Identifier	LLFC/DUoS Tariff Id	Import MPANs/MSIDs	Export Unique Identifier	LLFC/DUoS Tariff Id	Export MPANs/MSIDs	Name	Residual Charging Band	Import Super Red unit charge (p/kWh)	Import fixed charge (p/day)	Import capacity charge (p/kVA/day)	Import exceeded capacity charge (p/kVA/day)	Export Super Red unit charge (p/kWh)	Export fixed charge (p/day)	Export capacity charge (p/kVA/day)	Export exceeded capacity charge (p/kVA/day)
681	681	2200043969210	593	593	2200043969229	Fraddon Solar			1.51	1.68	1.68		3079.79	0.05	0.05
682	682	2200044045880	594	594	2200044045913	Cold Harbour PV 132kV			15.24	1.68	1.68		1554.62	0.05	0.05
683	683	2200044050151	595	595	2200044050160	Marsh Green Farm PV 132kV			49.66	1.67	1.67		1520.19	0.05	0.05
690	690	2200030348620				Norbora	2	1.548	6417.30	3.57	3.57				
692	692	2200030349084 2200032161977				SWW Tamar	1	1.435	2262.01	4.96	4.96				
694	694	2200030349075 2200032161930	693	693	2200031824213	SWW Roadford	1	0.248	1908.25	4.73	4.73		353.76	0.05	0.05
696	696	2200030347928				Tarmac	1	0.509	2523.89	5.75	5.75				
697	697	2200030348026 2200030348035				Abbeywood	2	2.369	5838.84	1.03	1.03				
698	698	2200030347101 2200032161995	HP Export	HP Export	HP Export	HewlettPackard	2	2.708	5807.70	2.57	2.57		31.15	0.05	0.05
699	699	2200030354118				Blagdon	1	2.373	1212.44	3.39	3.39				
700	700	2200031997477 2200031997529				BristolAirport	1	9.746	1401.04	2.71	2.71				
701	701	2200031846059	808	808	2200031824747	BGasHallen	1	3.906	6757.89	1.16	1.16				
702	702	2200030349260	807	807	2200041310094	Portbury Dock	2	4.685	6503.92	1.75	1.75		277.94	0.05	0.05
703	703	2200030348470	795	795	2200042430770	Whatley Quarry	2	13.977	5584.64	4.81	4.81	-15.150	123.00	0.05	0.05
704	704	2200030349093 2200040240630				FalmouthDocks	1	12.844	1401.04	2.20	2.20				
706	706	2200040468930 2200042670943				DairyCrestDavidstow	2	15.609	9359.55	4.28	4.28				
707	707	2200041209970	809	809	2200041209989	Hemyock (Broadpath LF)	1	5.664	1032.82	0.92	0.92	-5.714	179.62	0.05	0.05
708	708	2200030348373	794	794	2200031824524	Imerys(Torycombe)	2	14.247	5614.82	2.31	2.31		224.02	0.05	0.05
709	709	2200030346710 2200032196710	722	722	2200041987314 2200041987323	Royal United Hospital	1	21.886	1268.10	1.94	1.94		132.93	0.05	0.05
713	713	2200042194640	776	776	2200042103449	Avonmouth BCC WF 33kV Gen	1	0.054	1066.46	1.74	1.74		1776.14	0.05	0.05
714	714	2200042108127	777	777	2200042108289	Bodiniel PV Park 33kV Gen		1.121	6.97	8.35	8.35		1161.16	0.05	0.05
715	715	2200042385453	778	778	2200042385462	Garlenick WF 33kV		3.834	205.48	1.18	1.18		8219.02	0.05	0.05
716	716	2200042165037	779	779	2200042165046	Warleigh Barton PV 33kV Gen		1.559	11.27	2.80	2.80		1577.52	0.05	0.05
717	717	2200042171449	780	780	2200042171458	Winnards Perch PV 33kV Gen		0.186	29.81	2.67	2.67		1738.65	0.05	0.05
718	718	2200042356276	781	781	2200042356285	Galsworthy WF		0.350	153.91	0.99	0.99		1415.95	0.05	0.05
720	720	2200030348986 2200032178340 2200032178368 2200032178377 2200041226558 2200041226567				Airbus UK Ltd	4	8.434	30388.07	1.86	1.86				
750	750	2200032138124	751	751	2200032050436	RR Power Development	2		8901.49	2.44	2.44	-0.048	19110.29	0.05	0.05
759	759	2200041527904				Langage	1	11.269	2391.95	1.65	1.65				
797	797	2200030348452	804	804	2200031824551	Imerys5(Drinnick)	3	7.018	10106.82	1.95	1.95		251.47	0.05	0.05
798	798	2200030348382	803	803	2200030347690	Imerys4(Bugle)	2	9.172	5815.27	1.97	1.97	-9.410	400.78	0.05	0.05
799	799	2200032010879	801	801	2200031824738	Imerys3(Trebal)	2	2.242	7986.93	1.73	1.73		126.26	0.05	0.05
800	800	2200030348666	802	802	2200031824490	Imerys6(Par)	2	5.459	5720.97	1.77	1.77	-5.502	495.08	0.05	0.05
805	805	2200030349242				DML - North	4	1.516	53563.45	1.33	1.33				
810	810	2200042163484	790	790	2200042163493	Marley Thatch PV		2.543	6.26	3.11	3.11		1064.28	0.05	0.05
811	811	2200041648681 2200041648690 2200042093766	793	793	2200042093720 2200042093739 2200042093757	Bristol Royal Infirmary	2	2.100	5726.04	1.00	1.00	-2.100	301.41	0.05	0.05
812	812	2200042276123 2200042276132 2200042276141				Bristol University	2	1.590	6027.45	2.09	2.09				
813	813	2200043563036	796	796	2200043563045	Hill Barton Business Park 11kV		9.359	26.52	1.37	1.37	-9.481	162.08	0.05	0.05
815	815	2200042163410	792	792	2200042163457	Burrowton Farm PV			7.06	1.28	1.28		961.80	0.05	0.05
816	816	2200042165055	900	900	2200042165064	Callington Solar		2.024	8.05	6.14	6.14		845.39	0.05	0.05
817	817	2200042165073	901	901	2200042165082	Hope Solar		7.130	17.47	3.76	3.76		1833.84	0.05	0.05
818	818	2200042172043	903	903	2200042172052	NES Kingsweston Lane		0.388	259.57	1.21	1.21	-1.150	1038.29	0.05	0.05
820	820	2200042169714	905	905	2200042169723	Slade Farm PV		2.689	10.32	7.30	7.30		1555.99	0.05	0.05
821	821	2200042171183	906	906	2200042171192	Rew Farm PV		1.327	8.18	2.16	2.16		1406.49	0.05	0.05
822	822	2200042171208	907	907	2200042171226	Higher Trenhayle PV		8.771	8.98	4.62	4.62		1077.44	0.05	0.05
823	823	2200042171244	908	908	2200042171253	Middle Treworder PV		1.135	1.83	21.24	21.24		894.73	0.05	0.05
824	824	2200042171616	909	909	2200042171625	Penhale Farm PV		1.141	22.24	19.43	19.43		1334.17	0.05	0.05
825	825	2200042172512	910	910	2200042172521	Ayshford Court PV		3.188	2.63	2.35	2.35		796.60	0.05	0.05
826	826	2200042172920	911	911	2200042172930	West Hill PV		0.816	59.66	8.07	8.07		8041.65	0.05	0.05

Note: The list of MPANs / MSIDs provided may be incomplete; the DNO reserves the right to apply the listed charges to any other MPANs / MSIDs associated with the site.

Annex 2 - Schedule of Charges for use of the Distribution System by Designated EHV Properties (including LDNOs with Designated EHV Properties/end-users).

Import Unique Identifier	LLFC/DUoS Tariff Id	Import MPANs/MSIDs	Export Unique Identifier	LLFC/DUoS Tariff Id	Export MPANs/MSIDs	Name	Residual Charging Band	Import Super Red unit charge (p/kWh)	Import fixed charge (p/day)	Import capacity charge (p/kVA/day)	Import exceeded capacity charge (p/kVA/day)	Export Super Red unit charge (p/kWh)	Export fixed charge (p/day)	Export capacity charge (p/kVA/day)	Export exceeded capacity charge (p/kVA/day)
827	827	2200042172897	912	912	2200042172902	Knockworthy Farm PV		1.561	6.77	14.50	14.50		752.36	0.05	0.05
828	828	2200042218673 2200042218682				University of Bath	2	15.118	15476.63	3.76	3.76				
829	829	2200042174272	914	914	2200042174281	Trekenning Farm PV		1.325	54.26	1.74	1.74		6472.98	0.05	0.05
830	830	2200042184369	915	915	2200042184378	Four Burrows PV		4.113	5.50	3.85	3.85		759.45	0.05	0.05
833	833	2200042191756	918	918	2200042191765	Halse Farm PV			2.02	2.91	2.91		758.37	0.05	0.05
834	834	2200042192750	919	919	2200042192769	Hatchlands Farm PV		2.524	26.69	1.63	1.63		1482.52	0.05	0.05
835	835	2200042193879	920	920	2200042193888	Higher Trevartha PV		2.319	27.10	5.68	5.68		1788.37	0.05	0.05
837	837	2200042194047	922	922	2200042194056	Ford Farm PV		2.251	7.44	5.76	5.76		797.56	0.05	0.05
839	839	2200042345993	924	924	2200042346000	Trequite		2.271	6.40	3.91	3.91		2111.39	0.05	0.05
841	841	2200042193735	926	926	2200042193744	Higher Tregame PV		6.312	63.34	3.67	3.67		2714.52	0.05	0.05
842	842	2200042195592	927	927	2200042195608	Higher North Beer PV		0.080	1.16	9.53	9.53		818.35	0.05	0.05
843	843	2200042196781	928	928	2200042196790	Horsacott PV		0.799	2.76	5.68	5.68		782.76	0.05	0.05
844	844	2200042201252	929	929	2200042201261	Langunnett PV		2.499	36.75	11.56	11.56		3481.58	0.05	0.05
845	845	2200042201270	930	930	2200042201280	Trefinnick Farm PV		2.051	40.72	6.62	6.62		3393.66	0.05	0.05
846	846	2200042202939	931	931	2200042202948	Little Trevease Farm PV		6.145	12.80	2.17	2.17		1228.58	0.05	0.05
847	847	2200042432625	932	932	2200042432634	Marksbury		12.105	15.77	2.95	2.95		1258.10	0.05	0.05
848	848	2200042202975	933	933	2200042202984	Cobbs Cross		0.502	5.70	3.35	3.35		1139.08	0.05	0.05
849	849	2200042204652	934	934	2200042204661	Newlands Farm		0.332	6.23	2.63	2.63		1226.49	0.05	0.05
850	850	2200042206580	935	935	2200042206599	CRICKET ST THOMAS		0.341	40.36	3.19	3.19		1210.66	0.05	0.05
851	851	2200042206622	936	936	2200042206631	Parsonage Barn		0.343	44.79	3.77	3.77		3135.21	0.05	0.05
852	852	2200042208806	937	937	2200042208815	Hewas PV		3.834	20.18	2.15	2.15		2017.70	0.05	0.05
853	853	2200042208842	938	938	2200042208851	CRINACOTT PV		0.069	29.44	2.70	2.70		2582.68	0.05	0.05
854	854	2200042214711	939	939	2200042214720	Penare Farm		3.987	16.65	1.35	1.35		712.32	0.05	0.05
855	855	2200042214730	940	940	2200042214749	Aller Court		0.495	48.26	1.90	1.90		1655.55	0.05	0.05
857	857	2200042214943	942	942	2200042214952	Stonebarrow		0.330	10.98	1.98	1.98		904.76	0.05	0.05
858	858	2200042215088	943	943	2200042215097	Whitley Farm		0.502	18.77	2.28	2.28		1501.66	0.05	0.05
859	859	2200042215246	944	944	2200042215255	New Rendy Farm			13.22	1.89	1.89		1078.44	0.05	0.05
860	860	2200042216843	945	945	2200042216852	Tregassow		4.004	13.55	3.57	3.57		3388.42	0.05	0.05
861	861	2200042218405	946	946	2200042218414	Pitworthy		0.069	54.72	5.07	5.07		11201.51	0.05	0.05
862	862	2200042224250	947	947	2200042224269	Foxcombe PV		0.120	5.42	5.60	5.60		1084.52	0.05	0.05
863	863	2200042224278	948	948	2200042224287	Rexon Cross PV Farm		0.232	8.00	5.94	5.94		1119.65	0.05	0.05
864	864	2200042242880	949	949	2200042242899	Hazard Farm PV		2.517	10.68	2.52	2.52		2115.38	0.05	0.05
865	865	2200042244673	950	950	2200042244682	Luscott Barton		0.807	21.27	18.29	18.29		1446.23	0.05	0.05
866	866	2200042254120	951	951	2200042254139	Grange Farm PV			19.09	2.70	2.70		1909.09	0.05	0.05
867	867	2200042352174	952	952	2200042352183	Derriton Fields		0.069	39.36	3.40	3.40		6244.83	0.05	0.05
868	868	2200042278478	953	953	2200042278487	Cleave Farm		0.825	57.82	10.42	10.42		4602.25	0.05	0.05
869	869	2200042342032	954	954	2200042342041	Woolavington		0.518	18.44	2.76	2.76		2151.70	0.05	0.05
870	870	2200042342060	955	955	2200042342079	Trehawke Farm		2.297	41.42	1.80	1.80		4188.26	0.05	0.05
871	871	2200042278751	956	956	2200042278760	Higher Berechapel Farm		0.354	426.71	3.33	3.33	-6.138	1333.47	0.05	0.05
872	872	2200042278947	957	957	2200042278956	Bommertown			13.74	1.90	1.90		934.60	0.05	0.05
873	873	2200042349739	958	958	2200042349748	Carloggas Farm		1.361	98.82	3.28	3.28		3568.25	0.05	0.05
876	876	2200042911983	481	481	2200042911992	Viridor EFW (Seabank)	3	0.053	10309.34	0.81	0.81	-0.053	1570.24	0.05	0.05
877	877	2200042911929	482	482	2200042911947	Alders Way STOR		2.494	53.53	1.03	1.03	-2.687	1502.50	0.05	0.05
878	878	2200042911965	483	483	2200042911974	Rockingham STOR		0.383	119.91	1.39	1.39	-1.135	7993.74	0.05	0.05
879	879	2200042965279	484	484	2200042965260	Fideoak Battery			985.92	0.82	0.82		1037.78	0.05	0.05
880	880	2200042990994	485	485	2200042991000	Hele Manor STOR			16.57	1.02	1.02		712.40	0.05	0.05
882	882	2200043111690	487	487	2200043111681	Creacombe Solar (MRLF3)		13.905	39.68	2.73	2.73		2040.81	0.05	0.05
883	883	2200043111715	488	488	2200043111706	Marlands Solar (MRLF3)		13.905	17.01	2.61	2.61		1133.78	0.05	0.05
884	884	2200043129410				Langford	1	0.491	5414.01	1.28	1.28				
885	885	2200043152465	489	489	2200043152456	Wave Hub Battery		8.495	54.84	1.79	1.79	-10.812	54.84	0.05	0.05
886	886	2200043161734	490	490	2200043161743	Ventonteaque Wind Turbine		4.081	9.89	1.66	1.66		997.82	0.05	0.05
961	961	2200030348090				Sims Avonmouth	2	1.348	11365.23	1.09	1.09				
962	962	2200030348105				Flour Mills Avonmouth	1	1.348	2472.18	3.11	3.11				
7158	7158	7158	7158	7158	7158	Huntworth		0.494	15.30	2.27	2.27	-2.774	765.07	0.05	0.05
7293	7293					Alveston Hammerly Down	3	0.101	9603.88	1.84	1.84				
7317	7317	7317	7318	7318	7318	Barton Hill STOR CVA		0.091	31.96	1.20	1.20	-0.098	741.56	0.05	0.05
7319	7319	7319	7320	7320	7320	Water Lane B		6.866	20.58	1.68	1.68	-7.554	2148.88	0.05	0.05
7341	7341	7341	7342	7342	7342	Cattedown STOR CVA		6.021	17.85	1.02	1.02	-6.390	1346.25	0.05	0.05
7445	7445	7445	7446	7446	7446	Exeter Power Station		0.002	26.24	2.01	2.01	-2.135	1543.61	0.05	0.05
7494	7494	7494	7495	7495	7495	Peak Gen Exeter		6.773	100.20	1.34	1.34	-7.301	4090.07	0.05	0.05
7525	7525	7525	7526	7526	7526	Barton Hill Way ESS 33kV		0.091	385.20	0.94	0.94	-0.098	405.46	0.05	0.05
7576	7576	7576	7577	7577	7577	North Tawton ESS 33kV IDNO		0.489	753.05	0.49	0.49	-0.489	792.69	0.05	0.05
			427	427	2200042573488	Pylle PV Site 1							854.30	0.05	0.05

Note: The list of MPANs / MSIDs provided may be incomplete; the DNO reserves the right to apply the listed charges to any other MPANs / MSIDs associated with the site.

Annex 2 - Schedule of Charges for use of the Distribution System by Designated EHV Properties (including LDNOs with Designated EHV Properties/end-users).

Import Unique Identifier	LLFC/DUoS Tariff Id	Import MPANs/MSIDs	Export Unique Identifier	LLFC/DUoS Tariff Id	Export MPANs/MSIDs	Name	Residual Charging Band	Import Super Red unit charge (p/kWh)	Import fixed charge (p/day)	Import capacity charge (p/kVA/day)	Import exceeded capacity charge (p/kVA/day)	Export Super Red unit charge (p/kWh)	Export fixed charge (p/day)	Export capacity charge (p/kVA/day)	Export exceeded capacity charge (p/kVA/day)
			437	437	2200042542763	Wick Farm PV 1 Export							359.99	0.05	0.05
			438	438	2200042542781	Wick Farm PV 2 Export							359.99	0.05	0.05
			441	441	2200042563230	Crewkerne PV Site 1							1569.52	0.05	0.05
			442	442	2200042563276 2200042710611	Crewkerne PV Site 2							1569.52	0.05	0.05
			445	445	2200042573502	Pylle PV Site 2							854.30	0.05	0.05
New Import 1	New Import 1	New Import 1	New Export 1	New Export 1	New Export 1	Ash Farm PV 33kV		12.115		6.02	6.02		1808.48	0.05	0.05
New Import 2	New Import 2	New Import 2	New Export 2	New Export 2	New Export 2	Cattybrook PV 132kV			15.27	2.36	2.36		1554.59	0.05	0.05
New Import 3	New Import 3	New Import 3	New Export 3	New Export 3	New Export 3	Chelson Meadow PV 33kV		5.909	7.07	1.97	1.97		721.90	0.05	0.05
New Import 4	New Import 4	New Import 4	New Export 4	New Export 4	New Export 4	Clyst St Lawrence Energy Storage			12.71	1.33	1.33		2161.72	0.05	0.05
New Import 5	New Import 5	New Import 5	New Export 5	New Export 5	New Export 5	Cornwall Bio Park		6.795	195.91	1.49	1.49	-6.992	6530.36	0.05	0.05
New Import 6	New Import 6	New Import 6	New Export 6	New Export 6	New Export 6	Depdford Farm PV ESS 132kV		0.017	777.00	1.91	1.91	-0.058	792.85	0.05	0.05
New Import 7	New Import 7	New Import 7				Exeter MSA 33kV IDNO	3	4.267	9372.47	1.26	1.26				
New Import 8	New Import 8	New Import 8	New Export 8	New Export 8	New Export 8	Fairview ESS 132kV			784.93	3.26	3.26	-5.322	784.93	0.05	0.05
New Import 9	New Import 9	New Import 9				Gravity A 33kV IDNO	4	0.095	44721.64	2.22	2.22				
New Import 10	New Import 10	New Import 10				Gravity B 33kV IDNO	4	0.528	99688.77	0.87	0.87				
New Import 11	New Import 11	New Import 11	New Export 11	New Export 11	New Export 11	GS394 Plymouth Centre	2	4.840	8255.27	1.80	1.80		37.25	0.05	0.05
New Import 12	New Import 12	New Import 12	New Export 12	New Export 12	New Export 12	Hayle PV ESS 132kV			421.88	4.42	4.42	-7.099	1147.97	0.05	0.05
New Import 13	New Import 13	New Import 13	New Export 13	New Export 13	New Export 13	Higher Hawkerland Farm PV 33kV		7.701	62.69	3.22	3.22		4264.66	0.05	0.05
New Import 14	New Import 14	New Import 14	New Export 14	New Export 14	New Export 14	Higher Witheven PV 132kV			9.56	1.65	1.65		1560.30	0.05	0.05
New Import 15	New Import 15	New Import 15	New Export 15	New Export 15	New Export 15	Hoppaworthy PV ESS 132kV			764.80	1.89	1.89		805.05	0.05	0.05
New Import 16	New Import 16	New Import 16	New Export 16	New Export 16	New Export 16	Land at Imerys WT		3.786	27.99	1.06	1.06		3586.42	0.05	0.05
New Import 17	New Import 17	New Import 17				Lower Langage Farm	4	11.244	43117.73	2.35	2.35				
New Import 18	New Import 18	New Import 18	New Export 18	New Export 18	New Export 18	Mahe PV 33kV		0.357	142.31	5.31	5.31		4356.39	0.05	0.05
New Import 19	New Import 19	New Import 19	New Export 19	New Export 19	New Export 19	Menear PV ESS 33kV		3.793	196.37	1.68	1.68	-4.138	601.14	0.05	0.05
New Import 20	New Import 20	New Import 20	New Export 20	New Export 20	New Export 20	Ottery St Mary PV		1.016	44.28	4.46	4.46		5271.20	0.05	0.05
New Import 21	New Import 21	New Import 21	New Export 21	New Export 21	New Export 21	Peradon PV ESS 132kV			473.04	1.38	1.38	-0.057	1096.81	0.05	0.05
New Import 22	New Import 22	New Import 22	New Export 22	New Export 22	New Export 22	Perrinpit Road PV			3.97	1.67	1.67		1565.88	0.05	0.05
New Import 23	New Import 23	New Import 23	New Export 23	New Export 23	New Export 23	Preston PV 33kV			3.55	1.73	1.73		725.42	0.05	0.05
New Import 24	New Import 24	New Import 24	New Export 24	New Export 24	New Export 24	Pyworthy PV 33kV		0.069	7.03	2.85	2.85		2309.79	0.05	0.05
New Import 25	New Import 25	New Import 25				Rolls Royce Gypsy Patch Lane	3	1.200	37627.92	1.91	1.91				
New Import 26	New Import 26	New Import 26	New Export 26	New Export 26	New Export 26	Sandbay PV 33kV		0.132	55.13	3.06	3.06		9844.00	0.05	0.05
New Import 27	New Import 27	New Import 27	New Export 27	New Export 27	New Export 27	Says Court Farm ESS 132kV			777.00	1.18	1.18	-0.250	792.85	0.05	0.05
New Import 28	New Import 28	New Import 28	New Export 28	New Export 28	New Export 28	Severn Road Gas STOR 132kV			26.15	1.32	1.32	-0.028	2752.86	0.05	0.05
New Import 29	New Import 29	New Import 29	New Export 29	New Export 29	New Export 29	Severn Road Gas STOR B 132kV			48.19	1.32	1.32	-0.028	1521.67	0.05	0.05
New Import 30	New Import 30	New Import 30				South Crofty Mine 33kV	2	6.941	6492.11	2.20	2.20				
New Import 31	New Import 31	New Import 31	New Export 31	New Export 31	New Export 31	Sparrowhawk PV 33kV		3.058	10.15	1.70	1.70		1449.92	0.05	0.05
New Import 32	New Import 32	New Import 32	New Export 32	New Export 32	New Export 32	St Austell BESS (50MW)			1389.51	2.39	2.39	-3.247	1389.51	0.05	0.05
New Import 33	New Import 33	New Import 33				St Dennis Hydrogen	4		30553.44	1.84	1.84				
New Import 34	New Import 34	New Import 34				Stenalees Roche Road	3		12389.87	3.12	3.12				
New Import 35	New Import 35	New Import 35	New Export 35	New Export 35	New Export 35	Stowey Road PV			15.27	5.80	5.80		1554.59	0.05	0.05
New Import 36	New Import 36	New Import 36				Taw Valley Creamery 11kV	3		14373.95	1.97	1.97				
New Import 37	New Import 37	New Import 37				Temple Quarter (Plot 12) 10 Hingham Street	3	1.283	14456.70	1.98	1.98				
New Import 38	New Import 38	New Import 38	New Export 38	New Export 38	New Export 38	Trenoweth Farm PV			26.68	4.47	4.47	-6.701	2808.87	0.05	0.05
New Import 39	New Import 39	New Import 39	New Export 39	New Export 39	New Export 39	Treviscoe PV ESS 132kV - Treviscoe			1321.73	1.43	1.43		2373.72	0.05	0.05
New Import 40	New Import 40	New Import 40	New Export 40	New Export 40	New Export 40	Watchet ESS 33kV			396.89	0.93	0.93		417.76	0.05	0.05
New Import 41	New Import 41	New Import 41	New Export 41	New Export 41	New Export 41	Welton Hill			764.80	5.82	5.82	-10.167	805.05	0.05	0.05
New Import 42	New Import 42	New Import 42	New Export 42	New Export 42	New Export 42	Wyndham Estate PV ESS 33kV			1587.83	1.24	1.24		1671.43	0.05	0.05
New Import 43	New Import 43	New Import 43	New Export 43	New Export 43	New Export 43	Yanel PV 132kV			4.04	2.08	2.08		1565.82	0.05	0.05

Note: The list of MPANs / MSIDs provided may be incomplete; the DNO reserves the right to apply the listed charges to any other MPANs / MSIDs associated with the site.

National Grid Electricity Distribution (South West) plc - Effective from 1 April 2027 - Final Designated EHV import charges

Import Unique Identifier	LLFC/DUoS Tariff Id	Import MPANs/MSIDs	Name	Import Super Red unit charge (p/kWh)	Import fixed charge (p/day)	Import capacity charge (p/kVA/day)	Import exceeded capacity charge (p/kVA/day)
100	100	2200043334176	Bowerhouse 2	0.479	9.69	1.47	1.47
102	102	2200043437137	Feeder Road Battery	1.193	605.59	1.11	1.11
103	103	2200043663886	Beavor Grange Farm PV 33kV	0.333	2.40	2.44	2.44
104	104	2200043539655	Church Path Solar Park 33kV (formerly known as Aller Langport PV)	0.495	10.56	1.86	1.86
105	105	2200043726199	Liverton Farm (STOR Boundary)	0.289	3.88	1.38	1.38
106	106	2200043668528	Horseley Level PV 33kV	0.494	61.33	2.05	2.05
107	107	2200043745689	NIRO PV (Rockebeare)	9.067	38.73	4.08	4.08
108	108	2200043795388	Hunstrete 33kV Solar Park (formerly known as Marksbury B PV 33kV)	12.263	47.29	3.52	3.52
109	109	2200043848826	Gammaton Moor PV 132kV		81.89	1.65	1.65
112	112	2200043963732	Limebury PV 33kV	0.825	15.03	10.51	10.51
113	113	2200043956248	Court Barton PV 33kV	0.091	8.82	1.66	1.66
114	114	2200043979991	Howgrove PV 33kV	0.490	14.00	5.93	5.93
115	115	2200044059614	East Rightadown PV 33kV	0.164	17.93	4.88	4.88
198	198	2200042805690	Rolls Royce TT	1.921	5,650.24	1.37	1.37
199	199	2200030347110 2200032209547	University of Exeter	10.192	6,866.13	2.74	2.74
200	200	2200030348815	Ernesettle BS 11kV (Kawasaki)	2.302	1,204.31	1.98	1.98
204	204	2200042689299	Ashwater Auxillary Supply	0.144	5.58	3.43	3.43
250	250	2200042755073	Otterham Wind Farm Phase 3 (STOR)	0.848	75.66	1.08	1.08
262	262	2200042291210	Till House		25.69	1.35	1.35
263	263	2200042297550	Outlands Wood	1.121	1,029.51	7.59	7.59
264	264	2200042305476	Culmhead		8.07	3.48	3.48
265	265	2200042308031	Whitchurch Farm PV	12.020	1.68	5.67	5.67
266	266	2200042312872	Kingsland Barton	1.459	7.27	2.17	2.17
267	267	2200042314986	Mendip Solar PV Farm	12.155	3.19	5.81	5.81
268	268	2200042315730	St Stephen PV	1.346	11.15	4.23	4.23
269	269	2200042315776	Trewidland farm PV	2.349	12.52	2.78	2.78
270	270	2200042316751	Watchfield Lawn	0.526	10.80	4.56	4.56
271	271	2200042382620	Gover Park	6.858	12.18	1.94	1.94
272	272	2200042323128	North Wayton	1.160	24.33	1.46	1.46
273	273	2200042324450	Week Farm	0.825	50.91	10.44	10.44
274	274	2200042326040	Cullompton	3.204	37.04	5.84	5.84
275	275	2200042329078	Dinder Farm	12.739	15.80	7.57	7.57
277	277	2200042329050	Pitts Farm	12.734	22.05	7.36	7.36
278	278	2200042333678	Kerriers	1.126	61.49	8.97	8.97

Note: The list of MPANs / MSIDs provided may be incomplete; the DNO reserves the right to apply the listed charges to any other MPANs / MSIDs associated with the site.

Annex 2a - Schedule of Import Charges for use of the Distribution System by Designated EHV Properties (including LDNOs with Designated EHV Properties/end-users).

Import Unique Identifier	LLFC/DUoS Tariff Id	Import MPANs/MSIDs	Name	Import Super Red unit charge (p/kWh)	Import fixed charge (p/day)	Import capacity charge (p/kVA/day)	Import exceeded capacity charge (p/kVA/day)
279	279	2200042333701	Ernesettle Lane	1.557	970.04	1.16	1.16
281	281	2200042340220	Goonhilly Solar Park	6.905	18.84	7.90	7.90
282	282	2200042348665	Nanteague	3.987	41.32	1.85	1.85
283	283	2200042340745	Bidwell Dartington PV	2.500	9.06	2.50	2.50
284	284	2200042343212	New Row Farm	12.876	14.87	13.24	13.24
285	285	2200042354205	Woodland Barton Windfarm	3.893	1,130.50	3.34	3.34
286	286	2200042387497	Four Burrows 2	4.031	18.95	3.84	3.84
287	287	2200042398211	Redlands Farm	0.502	14.86	2.47	2.47
288	288	2200042400882	Tengore Lane PV	0.121	14.24	2.80	2.80
289	289	2200042400864	Liverton Farm (PV)	0.289	4.85	1.77	1.77
290	290	2200042407860	Yonder Parks Farm	2.622	22.97	6.42	6.42
291	291	2200042410310	Somerton Door	0.116	9.00	2.35	2.35
292	292	2200042414858	Carditch Drove	0.477	4.42	2.13	2.13
293	293	2200042417798	Capelands Farm	1.472	3.16	2.26	2.26
294	294	2200042418791	East Youlstone WF	0.074	164.55	5.29	5.29
295	295	2200042437359	Francis Court Farm	8.854	9.28	3.44	3.44
296	296	2200042443316	Northwood	1.190	3.24	4.57	4.57
297	297	2200042443352	Tricky Warren		12.03	2.52	2.52
298	298	2200042447000	lwood Lane	0.476	3.09	4.71	4.71
299	299	2200042446984	Rydon Farm	7.286	48.65	2.41	2.41
300	300	2200042352537 2200042446966 2200042475150 2200043422567	Balls Wood	13.680	29.94	5.11	5.11
301	301	2200042457480	Ashlawn Farm	0.494	16.84	9.28	9.28
302	302	2200042457903	Pencoose Farm	6.195	17.99	2.51	2.51
303	303	2200042457986	Hawkers Farm	0.118	30.61	3.16	3.16
304	304	2200042459557	Hurcott	0.343	3.17	4.78	4.78
305	305	2200042461290	Garvinack	4.014	146.91	2.91	2.91
306	306	2200042462179	New Barton	1.161	113.74	3.49	3.49
307	307	2200042465160	Coombeshead Farm	2.559	2.52	3.72	3.72
308	308	2200042465189	Walland Farm	0.825	18.56	10.13	10.13
309	309	2200042467594	Ashcombe	7.534	22.46	3.86	3.86
310	310	2200042469875	Newnham Farm	13.761	104.67	3.04	3.04
311	311	2200042473463	Roskrow Barton PV	6.375	13.75	8.63	8.63
312	312	2200042473445	Parkview Solar	2.614	10.06	3.29	3.29
313	313	2200042475169	Towerhead Farm	0.479	19.78	2.12	2.12
314	314	2200042475196	Rookery Farm	0.479	10.99	1.70	1.70
315	315	2200042475415	Bystock Farm	0.290	331.85	1.24	1.24
316	316	2200042475433	Pylle PV Import Boundary	13.037	10.79	11.87	11.87

Note: The list of MPANs / MSIDs provided may be incomplete; the DNO reserves the right to apply the listed charges to any other MPANs / MSIDs associated with the site.

Annex 2a - Schedule of Import Charges for use of the Distribution System by Designated EHV Properties (including LDNOs with Designated EHV Properties/end-users).

Import Unique Identifier	LLFC/DUoS Tariff Id	Import MPANs/MSIDs	Name	Import Super Red unit charge (p/kWh)	Import fixed charge (p/day)	Import capacity charge (p/kVA/day)	Import exceeded capacity charge (p/kVA/day)
317	317	2200042475823	Burthy PV	1.331	4.06	2.80	2.80
318	318	2200042480610	Wilton Farm PV	2.297	10.92	2.08	2.08
319	319	2200042484873	Woodmanton (Coombe) Farm	0.291	21.62	2.28	2.28
320	320	2200042484846	Higher Bye Farm		14.46	1.62	1.62
321	321	2200042530730	Wilton Farm WF	2.297	140.89	1.27	1.27
322	322	2200042533411	Denzell Downs WF	0.184	150.76	2.17	2.17
323	323	2200042541583	Puriton Landfill PV_1 Rainbow	0.505	7.19	4.07	4.07
324	324	2200042557281	Portworthy Dams PV_1	13.918	23.47	3.13	3.13
325	325	2200042616556	Wick Farm Boundary Import	0.134	9.00	4.29	4.29
326	326	2200043348684	Carland Cross (PV)	4.099	1,027.28	1.76	1.76
327	327	2200042552600	Batsworthy WF	1.470	347.31	1.58	1.58
328	328	2200042557306	Portworthy Dams PV_2	13.918	23.47	3.02	3.02
329	329	2200042563211	Crewkerne PV shared Imports	0.377	18.85	6.54	6.54
331	331	2200042569134	Tonedale Farm PV		246.85	2.40	2.40
332	332	2200042541644	Puriton Landfill PV_2 SSB	0.505	7.19	3.97	3.97
333	333	2200042582446	Red Hill Farm		20.31	3.04	3.04
334	334	2200042574222	Chelwood	12.091	26.63	2.78	2.78
335	335	2200042592913	West Carclaze1	3.785	12.53	2.16	2.16
336	336	2200042592931	West Carclaze2	3.785	6.27	1.86	1.86
337	337	2200042495680	Northmoor (embd) PV		5.51	1.52	1.52
338	338	2200042540687	Nmoor Little Tinney WF		2.75	1.02	1.02
339	339	2200042540696	Nmoor East Balsdon WF		2.75	1.05	1.05
340	340	2200042598135	Nmoor Hornacott PV		5.51	1.40	1.40
341	341	2200042601346	Oakham Farm	0.075	18.29	19.04	19.04
342	342	2200042603237	Carnemough Farm	1.355	22.82	1.74	1.74
343	343	2200042689252	Ashwater WT Site 1	0.144	1,029.42	3.48	3.48
345	345	2200042620162	Great Houndbeare 2	1.029	73.60	3.36	3.36
346	346	2200042620205	Withy Drove	0.520	110.27	2.71	2.71
348	348	2200042620250	Fitzwarren (Montys) Farm		8.25	3.62	3.62
350	350	2200042622035	Dunsland Cross WF	0.139	13.27	3.86	3.86
351	351	2200042626944	Trerule Farm	2.231	30.23	1.76	1.76
352	352	2200042627140	Nancrossa	6.126	3.26	4.61	4.61
353	353	2200042637885	Wick Farm West	0.134	10.68	4.29	4.29
354	354	2200042655528	(LWeston ntw) Severn Community	0.389	225.93	1.14	1.14
356	356	2200042679592	Tamerton Bridge STOR	1.599	18.11	1.43	1.43
357	357	2200042689270	Ashwater PV Site 2	0.144	5.58	3.63	3.63
358	358	2200042722608	Bodwen	3.890	27.67	3.81	3.81
359	359	2200042729774	Sharland Farm PV	8.378	57.03	12.97	12.97
360	360	2200042733460	Stoneshill Farm	3.123	1,059.59	2.94	2.94
361	361	2200042733850	Nmoor Parsonage Wood PV		5.51	1.25	1.25

Note: The list of MPANs / MSIDs provided may be incomplete; the DNO reserves the right to apply the listed charges to any other MPANs / MSIDs associated with the site.

Annex 2a - Schedule of Import Charges for use of the Distribution System by Designated EHV Properties (including LDNOs with Designated EHV Properties/end-users).

Import Unique Identifier	LLFC/DUoS Tariff Id	Import MPANs/MSIDs	Name	Import Super Red unit charge (p/kWh)	Import fixed charge (p/day)	Import capacity charge (p/kVA/day)	Import exceeded capacity charge (p/kVA/day)
362	362	2200042738705	Axe View Way PV	0.338	11.72	2.18	2.18
363	363	2200042742491	Place Barton Farm	2.563	24.29	2.58	2.58
364	364	2200042742516	Old Stone Farm	2.635	15.15	5.99	5.99
367	367	2200042784482	Lockleaze Battery Storage	1.178	686.00	1.17	1.17
368	368	2200043210930	West Holcombe PV	3.194	1,060.64	3.97	3.97
369	369	2200043245180	Hallen 33kV Battery	0.053	1,827.44	0.82	0.82
370	370	2200043332959	Two Post Cross PV	0.468	9.65	2.57	2.57
600	600	2200032010850	Imerys1(Blackpool)	3.636	5,838.83	1.18	1.18
602	602	2200043470729	Lower Litchardon PV		33.50	1.29	1.29
603	603	2200042461315	Otterham WT Feeder1	0.848	2.70	1.00	1.00
604	604	2200042501410	Otterham WT Feeder2	0.848	2.70	1.03	1.03
607	607	2200042141133	Wyld Meadow	0.329	17.91	1.73	1.73
608	608	2200042141259	Prince Rock	6.025	1,548.16	0.96	0.96
612	612	2200032168607	Bradon Farm	0.473	300.41	1.36	1.36
613	613	2200040848888	Carland Cross (WF Boundary)	4.099	1,061.75	1.41	1.41
614	614	2200030511311	Cold Northcott	1.199	22.11	25.52	25.52
615	615	2200040863404	Forestmoor 1	0.077	21.06	5.40	5.40
616	616	2200040863431	Forestmoor 2	0.077	21.06	5.39	5.39
617	617	2200030109831	Four Burrows	4.088	41.25	2.89	2.89
618	618	2200042384194	Canworthy PV		9.51	1.60	1.60
619	619	2200030112133	St Breock	1.141	33.62	18.93	18.93
620	620	2200030348790	DML - Central	5.613	4,918.71	0.86	0.86
623	623	2200042602289	Denbrook WF	0.489	85.61	1.00	1.00
624	624	2200041804437	Hayle Wave Hub	8.495		1.78	1.78
626	626	2200040571113	Connon Bridge	2.422	45.92	7.39	7.39
627	627	2200040979020	Chelson	6.033	28.93	1.18	1.18
628	628	2200041957685	Darracott	1.582	55.86	14.65	14.65
629	629	2200040164245	Bears Down	0.187	12.23	2.54	2.54
632	632	2200040473921	St Day	6.173	1,469.21	1.68	1.68
633	633	2200041499771	Shooters Bottom	12.126	24.68	4.17	4.17
634	634	2200041625596	Heathfield	7.428	1,061.16	2.54	2.54
635	635	2200041845860	Goonhilly	6.905	17.25	7.97	7.97
636	636	2200041786674	Delabole	1.166	20.55	17.65	17.65
637	637	2200041930489	Fullabrook		1,583.76	1.61	1.61
638	638	2200043200997	Hermerton Mine	11.329	6,190.61	2.36	2.36
639	639	2200042142094	Luxulyan(Trenoweth Farm)	3.868	8.10	4.80	4.80
642	642	2200042142439	Woodland Barton PV 33kV Gen	1.326	25.65	1.79	1.79
643	643	2200041978773	Manor PV Farm 33kV	3.838	7.64	2.46	2.46
644	644	2200041978852	Churchtown Farm PV 33kV	7.125	5.70	3.82	3.82
645	645	2200041978791	Trenouth PV 33kV	0.189	39.18	2.72	2.72

Note: The list of MPANs / MSIDs provided may be incomplete; the DNO reserves the right to apply the listed charges to any other MPANs / MSIDs associated with the site.

Annex 2a - Schedule of Import Charges for use of the Distribution System by Designated EHV Properties (including LDNOs with Designated EHV Properties/end-users).

Import Unique Identifier	LLFC/DUoS Tariff Id	Import MPANs/MSIDs	Name	Import Super Red unit charge (p/kWh)	Import fixed charge (p/day)	Import capacity charge (p/kVA/day)	Import exceeded capacity charge (p/kVA/day)
647	647	2200041979874	Howton Farm PV 33kV	1.497	7.66	3.38	3.38
649	649	2200042682406	Newton Downs Farm	13.914	93.03	2.59	2.59
652	652	2200041978728	East Langford PV 33kV	0.076	7.72	6.61	6.61
653	653	2200042194279	NINNIS PV 33kV Gen	3.845	16.99	1.96	1.96
654	654	2200042208824	Willsland PV 33kV Gen	0.217	8.30	5.83	5.83
655	655	2200042141151	Eastcombe PV 33kV Gen	0.122	13.35	4.44	4.44
656	656	2200042172879	Bratton Flemming PV	1.470	8.53	2.39	2.39
657	657	2200042196736	Beaford Brook PV	1.687	4.31	22.39	22.39
658	658	2200042206604	Park Wall PV	0.087	5.41	3.16	3.16
659	659	2200042198501	Bradford Solar Park	0.069	65.03	2.91	2.91
662	662	2200041982938	Causilgey PV 33kV Gen	4.047	5.15	3.85	3.85
663	663	2200042042966	Beechgrove Farm PV 33kV	0.329	3.36	3.28	3.28
664	664	2200041857484	Isles of Scilly	28.348	80.83	1.06	1.06
665	665	2200042019345	BLACKDITCH 33kV	0.510	0.85	6.74	6.74
669	669	2200030348718	Avonmouth Docks Boundary	1.348	7,147.23	2.11	2.11
673	673	2200042534070	CERC St Dennis		6,147.54	0.98	0.98
674	674	2200042538720	Sevenside Energy Recovery Centre		6,878.19	0.72	0.72
675	675	2200042787377	Old Green Wind Farm		6.84	0.97	0.97
676	676	2200043649507	Old Green Battery		569.90	0.98	0.98
678	678	2200043698337	Otterham WF Extension	0.848	1.08	1.11	1.11
679	679	2200043698898	Tregeen AD(OTHM1)	0.848	5.40	0.98	0.98
680	680	2200043841290	Tale Lane PV ESS 132kV		1,879.31	1.38	1.38
681	681	2200043969210	Fraddon Solar		1.51	1.68	1.68
682	682	2200044045880	Cold Harbour PV 132kV		15.24	1.68	1.68
683	683	2200044050151	Marsh Green Farm PV 132kV		49.66	1.67	1.67
690	690	2200030348620	Norbora	1.548	6,417.30	3.57	3.57
692	692	2200030349084 2200032161977	SWW Tamar	1.435	2,262.01	4.96	4.96
694	694	2200030349075 2200032161930	SWW Roadford	0.248	1,908.25	4.73	4.73
696	696	2200030347928	Tarmac	0.509	2,523.89	5.75	5.75
697	697	2200030348026 2200030348035	Abbeywood	2.369	5,838.84	1.03	1.03
698	698	2200030347101 2200032161995	HewlettPackard	2.708	5,807.70	2.57	2.57
699	699	2200030354118	Blagdon	2.373	1,212.44	3.39	3.39
700	700	2200031997477 2200031997529	BristolAirport	9.746	1,401.04	2.71	2.71
701	701	2200031846059	BGasHallen	3.906	6,757.89	1.16	1.16
702	702	2200030349260	Portbury Dock	4.685	6,503.92	1.75	1.75

Note: The list of MPANs / MSIDs provided may be incomplete; the DNO reserves the right to apply the listed charges to any other MPANs / MSIDs associated with the site.

Annex 2a - Schedule of Import Charges for use of the Distribution System by Designated EHV Properties (including LDNOs with Designated EHV Properties/end-users).

Import Unique Identifier	LLFC/DUoS Tariff Id	Import MPANs/MSIDs	Name	Import Super Red unit charge (p/kWh)	Import fixed charge (p/day)	Import capacity charge (p/kVA/day)	Import exceeded capacity charge (p/kVA/day)
703	703	2200030348470	Whatley Quarry	13.977	5,584.64	4.81	4.81
704	704	2200030349093 2200040240630	FalmouthDocks	12.844	1,401.04	2.20	2.20
706	706	2200040468930 2200042670943	DairyCrestDavidstow	15.609	9,359.55	4.28	4.28
707	707	2200041209970	Hemyock (Broadpath LF)	5.664	1,032.82	0.92	0.92
708	708	2200030348373	Imerys(Torycombe)	14.247	5,614.82	2.31	2.31
709	709	2200030346710 2200032196710	Royal United Hospital	21.886	1,268.10	1.94	1.94
713	713	2200042194640	Avonmouth BCC WF 33kV Gen	0.054	1,066.46	1.74	1.74
714	714	2200042108127	Bodiniel PV Park 33kV Gen	1.121	6.97	8.35	8.35
715	715	2200042385453	Garlenick WF 33kV	3.834	205.48	1.18	1.18
716	716	2200042165037	Warleigh Barton PV 33kV Gen	1.559	11.27	2.80	2.80
717	717	2200042171449	Winnards Perch PV 33kV Gen	0.186	29.81	2.67	2.67
718	718	2200042356276	Galsworthy WF	0.350	153.91	0.99	0.99
720	720	2200030348986 2200032178340 2200032178368 2200032178377 2200041226558 2200041226567	Airbus UK Ltd	8.434	30,388.07	1.86	1.86
750	750	2200032138124	RR Power Development		8,901.49	2.44	2.44
759	759	2200041527904	Langage	11.269	2,391.95	1.65	1.65
797	797	2200030348452	Imerys5(Drinnick)	7.018	10,106.82	1.95	1.95
798	798	2200030348382	Imerys4(Bugle)	9.172	5,815.27	1.97	1.97
799	799	2200032010879	Imerys3(Trebal)	2.242	7,986.93	1.73	1.73
800	800	2200030348666	Imerys6(Par)	5.459	5,720.97	1.77	1.77
805	805	2200030349242	DML - North	1.516	53,563.45	1.33	1.33
810	810	2200042163484	Marley Thatch PV	2.543	6.26	3.11	3.11
811	811	2200041648681 2200041648690 2200042093766	Bristol Royal Infirmary	2.100	5,726.04	1.00	1.00
812	812	2200042276123 2200042276132 2200042276141	Bristol University	1.590	6,027.45	2.09	2.09
813	813	2200043563036	Hill Barton Business Park 11kV	9.359	26.52	1.37	1.37
815	815	2200042163410	Burrowton Farm PV		7.06	1.28	1.28
816	816	2200042165055	Callington Solar	2.024	8.05	6.14	6.14
817	817	2200042165073	Hope Solar	7.130	17.47	3.76	3.76
818	818	2200042172043	NES Kingsweston Lane	0.388	259.57	1.21	1.21

Note: The list of MPANs / MSIDs provided may be incomplete; the DNO reserves the right to apply the listed charges to any other MPANs / MSIDs associated with the site.

Annex 2a - Schedule of Import Charges for use of the Distribution System by Designated EHV Properties (including LDNOs with Designated EHV Properties/end-users).

Import Unique Identifier	LLFC/DUoS Tariff Id	Import MPANs/MSIDs	Name	Import Super Red unit charge (p/kWh)	Import fixed charge (p/day)	Import capacity charge (p/kVA/day)	Import exceeded capacity charge (p/kVA/day)
820	820	2200042169714	Slade Farm PV	2.689	10.32	7.30	7.30
821	821	2200042171183	Rew Farm PV	1.327	8.18	2.16	2.16
822	822	2200042171208	Higher Trenhayle PV	8.771	8.98	4.62	4.62
823	823	2200042171244	Middle Treworder PV	1.135	1.83	21.24	21.24
824	824	2200042171616	Penhale Farm PV	1.141	22.24	19.43	19.43
825	825	2200042172512	Ayshford Court PV	3.188	2.63	2.35	2.35
826	826	2200042172920	West Hill PV	0.816	59.66	8.07	8.07
827	827	2200042172897	Knockworthy Farm PV	1.561	6.77	14.50	14.50
828	828	2200042218673 2200042218682	University of Bath	15.118	15,476.63	3.76	3.76
829	829	2200042174272	Trekening Farm PV	1.325	54.26	1.74	1.74
830	830	2200042184369	Four Burrows PV	4.113	5.50	3.85	3.85
833	833	2200042191756	Halse Farm PV		2.02	2.91	2.91
834	834	2200042192750	Hatchlands Farm PV	2.524	26.69	1.63	1.63
835	835	2200042193879	Higher Trevartha PV	2.319	27.10	5.68	5.68
837	837	2200042194047	Ford Farm PV	2.251	7.44	5.76	5.76
839	839	2200042345993	Trequite	2.271	6.40	3.91	3.91
841	841	2200042193735	Higher Tregarne PV	6.312	63.34	3.67	3.67
842	842	2200042195592	Higher North Beer PV	0.080	1.16	9.53	9.53
843	843	2200042196781	Horsacott PV	0.799	2.76	5.68	5.68
844	844	2200042201252	Langunnett PV	2.499	36.75	11.56	11.56
845	845	2200042201270	Trefinnick Farm PV	2.051	40.72	6.62	6.62
846	846	2200042202939	Little Trevease Farm PV	6.145	12.80	2.17	2.17
847	847	2200042432625	Marksbury	12.105	15.77	2.95	2.95
848	848	2200042202975	Cobbs Cross	0.502	5.70	3.35	3.35
849	849	2200042204652	Newlands Farm	0.332	6.23	2.63	2.63
850	850	2200042206580	CRICKET ST THOMAS	0.341	40.36	3.19	3.19
851	851	2200042206622	Parsonage Barn	0.343	44.79	3.77	3.77
852	852	2200042208806	Hewas PV	3.834	20.18	2.15	2.15
853	853	2200042208842	CRINACOTT PV	0.069	29.44	2.70	2.70
854	854	2200042214711	Penare Farm	3.987	16.65	1.35	1.35
855	855	2200042214730	Aller Court	0.495	48.26	1.90	1.90
857	857	2200042214943	Stonebarrow	0.330	10.98	1.98	1.98
858	858	2200042215088	Whitley Farm	0.502	18.77	2.28	2.28
859	859	2200042215246	New Rendy Farm		13.22	1.89	1.89
860	860	2200042216843	Tregassow	4.004	13.55	3.57	3.57
861	861	2200042218405	Pitworthy	0.069	54.72	5.07	5.07
862	862	2200042224250	Foxcombe PV	0.120	5.42	5.60	5.60
863	863	2200042224278	Rexon Cross PV Farm	0.232	8.00	5.94	5.94
864	864	2200042242880	Hazard Farm PV	2.517	10.68	2.52	2.52

Note: The list of MPANs / MSIDs provided may be incomplete; the DNO reserves the right to apply the listed charges to any other MPANs / MSIDs associated with the site.

Annex 2a - Schedule of Import Charges for use of the Distribution System by Designated EHV Properties (including LDNOs with Designated EHV Properties/end-users).

Import Unique Identifier	LLFC/DUoS Tariff Id	Import MPANs/MSIDs	Name	Import Super Red unit charge (p/kWh)	Import fixed charge (p/day)	Import capacity charge (p/kVA/day)	Import exceeded capacity charge (p/kVA/day)
865	865	2200042244673	Luscott Barton	0.807	21.27	18.29	18.29
866	866	2200042254120	Grange Farm PV		19.09	2.70	2.70
867	867	2200042352174	Derriton Fields	0.069	39.36	3.40	3.40
868	868	2200042278478	Cleave Farm	0.825	57.82	10.42	10.42
869	869	2200042342032	Woolavington	0.518	18.44	2.76	2.76
870	870	2200042342060	Trehawke Farm	2.297	41.42	1.80	1.80
871	871	2200042278751	Higher Berechapel Farm	0.354	426.71	3.33	3.33
872	872	2200042278947	Bommertown		13.74	1.90	1.90
873	873	2200042349739	Carloggas Farm	1.361	98.82	3.28	3.28
876	876	2200042911983	Viridor EFW (Seabank)	0.053	10,309.34	0.81	0.81
877	877	2200042911929	Alders Way STOR	2.494	53.53	1.03	1.03
878	878	2200042911965	Rockingham STOR	0.383	119.91	1.39	1.39
879	879	2200042965279	Fideoak Battery		985.92	0.82	0.82
880	880	2200042990994	Hele Manor STOR		16.57	1.02	1.02
882	882	2200043111690	Creacombe Solar (MRLF3)	13.905	39.68	2.73	2.73
883	883	2200043111715	Marlands Solar (MRLF3)	13.905	17.01	2.61	2.61
884	884	2200043129410	Langford	0.491	5,414.01	1.28	1.28
885	885	2200043152465	Wave Hub Battery	8.495	54.84	1.79	1.79
886	886	2200043161734	Ventonteague Wind Turbine	4.081	9.89	1.66	1.66
961	961	2200030348090	Sims Avonmouth	1.348	11,365.23	1.09	1.09
962	962	2200030348105	Flour Mills Avonmouth	1.348	2,472.18	3.11	3.11
7158	7158	7158	Huntworth	0.494	15.30	2.27	2.27
7293	7293	7293	Alveston Hammerly Down	0.101	9,603.88	1.84	1.84
7317	7317	7317	Barton Hill STOR CVA	0.091	31.96	1.20	1.20
7319	7319	7319	Water Lane B	6.866	20.58	1.68	1.68
7341	7341	7341	Cattedown STOR CVA	6.021	17.85	1.02	1.02
7445	7445	7445	Exeter Power Station	0.002	26.24	2.01	2.01
7494	7494	7494	Peak Gen Exeter	6.773	100.20	1.34	1.34
7525	7525	7525	Barton Hill Way ESS 33kV	0.091	385.20	0.94	0.94
7576	7576	7576	North Tawton ESS 33kV IDNO	0.489	753.05	0.49	0.49
New Import 1	New Import 1	New Import 1	Ash Farm PV 33kV	12.115		6.02	6.02
New Import 2	New Import 2	New Import 2	Cattybrook PV 132kV		15.27	2.36	2.36
New Import 3	New Import 3	New Import 3	Chelson Meadow PV 33kV	5.909	7.07	1.97	1.97
New Import 4	New Import 4	New Import 4	Clyst St Lawrence Energy Storage		12.71	1.33	1.33
New Import 5	New Import 5	New Import 5	Cornwall Bio Park	6.795	195.91	1.49	1.49
New Import 6	New Import 6	New Import 6	Deptford Farm PV ESS 132kV	0.017	777.00	1.91	1.91
New Import 7	New Import 7	New Import 7	Exeter MSA 33kV IDNO	4.267	9,372.47	1.26	1.26
New Import 8	New Import 8	New Import 8	Fairview ESS 132kV		784.93	3.26	3.26
New Import 9	New Import 9	New Import 9	Gravity A 33kV IDNO	0.095	44,721.64	2.22	2.22
New Import 10	New Import 10	New Import 10	Gravity B 33kV IDNO	0.528	99,688.77	0.87	0.87

Note: The list of MPANs / MSIDs provided may be incomplete; the DNO reserves the right to apply the listed charges to any other MPANs / MSIDs associated with the site.

Annex 2a - Schedule of Import Charges for use of the Distribution System by Designated EHV Properties (including LDNOs with Designated EHV Properties/end-users).

Import Unique Identifier	LLFC/DUoS Tariff Id	Import MPANs/MSIDs	Name	Import Super Red unit charge (p/kWh)	Import fixed charge (p/day)	Import capacity charge (p/kVA/day)	Import exceeded capacity charge (p/kVA/day)
New Import 11	New Import 11	New Import 11	GS394 Plymouth Centre	4.840	8,255.27	1.80	1.80
New Import 12	New Import 12	New Import 12	Hayle PV ESS 132kV		421.88	4.42	4.42
New Import 13	New Import 13	New Import 13	Higher Hawkerland Farm PV 33kV	7.701	62.69	3.22	3.22
New Import 14	New Import 14	New Import 14	Higher Witheven PV 132kV		9.56	1.65	1.65
New Import 15	New Import 15	New Import 15	Hoppaworthy PV ESS 132kV		764.80	1.89	1.89
New Import 16	New Import 16	New Import 16	Land at Imerys WT	3.786	27.99	1.06	1.06
New Import 17	New Import 17	New Import 17	Lower Langage Farm	11.244	43,117.73	2.35	2.35
New Import 18	New Import 18	New Import 18	Mahe PV 33kV	0.357	142.31	5.31	5.31
New Import 19	New Import 19	New Import 19	Menear PV ESS 33kV	3.793	196.37	1.68	1.68
New Import 20	New Import 20	New Import 20	Ottery St Mary PV	1.016	44.28	4.46	4.46
New Import 21	New Import 21	New Import 21	Peradon PV ESS 132kV		473.04	1.38	1.38
New Import 22	New Import 22	New Import 22	Perrinpit Road PV		3.97	1.67	1.67
New Import 23	New Import 23	New Import 23	Preston PV 33kV		3.55	1.73	1.73
New Import 24	New Import 24	New Import 24	Pyworthy PV 33kV	0.069	7.03	2.85	2.85
New Import 25	New Import 25	New Import 25	Rolls Royce Gypsy Patch Lane	1.200	37,627.92	1.91	1.91
New Import 26	New Import 26	New Import 26	Sandbay PV 33kV	0.132	55.13	3.06	3.06
New Import 27	New Import 27	New Import 27	Says Court Farm ESS 132kV		777.00	1.18	1.18
New Import 28	New Import 28	New Import 28	Severn Road Gas STOR 132kV		26.15	1.32	1.32
New Import 29	New Import 29	New Import 29	Severn Road Gas STOR B 132kV		48.19	1.32	1.32
New Import 30	New Import 30	New Import 30	South Crofty Mine 33kV	6.941	6,492.11	2.20	2.20
New Import 31	New Import 31	New Import 31	Sparrowhawk PV 33kV	3.058	10.15	1.70	1.70
New Import 32	New Import 32	New Import 32	St Austell BESS (50MW)		1,389.51	2.39	2.39
New Import 33	New Import 33	New Import 33	St Dennis Hydrogen		30,553.44	1.84	1.84
New Import 34	New Import 34	New Import 34	Stenalees Roche Road		12,389.87	3.12	3.12
New Import 35	New Import 35	New Import 35	Stowey Road PV		15.27	5.80	5.80
New Import 36	New Import 36	New Import 36	Taw Valley Creamery 11kV		14,373.95	1.97	1.97
New Import 37	New Import 37	New Import 37	Temple Quarter (Plot 12) 10 Hingham Street	1.283	14,456.70	1.98	1.98
New Import 38	New Import 38	New Import 38	Trenoweth Farm PV		26.68	4.47	4.47
New Import 39	New Import 39	New Import 39	Treviscoe PV ESS 132kV - Treviscoe		1,321.73	1.43	1.43
New Import 40	New Import 40	New Import 40	Watchet ESS 33kV		396.89	0.93	0.93
New Import 41	New Import 41	New Import 41	Welton Hill		764.80	5.82	5.82
New Import 42	New Import 42	New Import 42	Wyndham Estate PV ESS 33kV		1,587.83	1.24	1.24
New Import 43	New Import 43	New Import 43	Yanel PV 132kV		4.04	2.08	2.08

Note: The list of MPANs / MSIDs provided may be incomplete; the DNO reserves the right to apply the listed charges to any other MPANs / MSIDs associated with the site.

National Grid Electricity Distribution (South West) plc - Effective from 1 April 2027 - Final Designated EHV export charges

Export Unique Identifier	LLFC/DUoS Tariff Id	Export MPANs/MSIDs	Name	Export Super Red unit charge (p/kWh)	Export fixed charge (p/day)	Export capacity charge (p/kVA/day)	Export exceeded capacity charge (p/kVA/day)
218	218	2200043334167	Bowerhouse 2		753.55	0.05	0.05
220	220	2200043437119	Feeder Road Battery	-1.887	637.44	0.05	0.05
221	221	2200043663900	Beavor Grange Farm PV 33kV		726.57	0.05	0.05
222	222	2200043539664	Church Path Solar Park 33kV (formerly known as Aller Langport PV)		718.41	0.05	0.05
223	223	2200043726427	Liverton Farm (STOR Boundary)	-0.783	291.99	0.05	0.05
224	224	2200043668537	Horseley Level PV 33kV		4,171.78	0.05	0.05
225	225	2200043745698	NIRO PV (Rockebeare)		1,718.35	0.05	0.05
226	226	2200043795397	Hunstrete 33kV Solar Park (formerly known as Marksbury B PV 33kV)		4,824.96	0.05	0.05
227	227	2200043848835	Gammaton Moor PV 132kV		8,356.44	0.05	0.05
229	229	2200043963760	Limebury PV 33kV		797.35	0.05	0.05
230	230	2200043956293	Court Barton PV 33kV		720.15	0.05	0.05
231	231	2200043980000	Howgrove PV 33kV		1,957.27	0.05	0.05
232	232	2200044061029	East Rightadown PV 33kV		711.04	0.05	0.05
964	964	2200042999603	Ernesettle BS 11kV (Kawasaki)		8.12	0.05	0.05
529	529	2200042755082	Otterham Wind Farm Phase 3 (STOR)	-0.869	1,163.47	0.05	0.05
373	373	2200042291229	Till House		2,068.37	0.05	0.05
374	374	2200042297587	Outlands Wood		794.42	0.05	0.05
375	375	2200042305485	Culmhead		2,314.47	0.05	0.05
376	376	2200042308040	Whitchurch Farm PV		840.38	0.05	0.05
377	377	2200042312881	Kingsland Barton		763.74	0.05	0.05
378	378	2200042314995	Mendip Solar PV Farm		811.46	0.05	0.05
379	379	2200042315749	St Stephen PV		2,622.55	0.05	0.05
380	380	2200042315785	Trewidland farm PV		2,086.27	0.05	0.05
381	381	2200042316789	Watchfield Lawn		976.50	0.05	0.05
382	382	2200042382639	Gover Park		1,887.42	0.05	0.05
383	383	2200042323137	North Wayton		1,803.00	0.05	0.05
384	384	2200042324460	Week Farm		3,225.48	0.05	0.05
385	385	2200042326059	Cullompton		2,519.80	0.05	0.05
386	386	2200042329087	Dinder Farm		1,065.10	0.05	0.05
388	388	2200042329069	Pitts Farm		1,058.40	0.05	0.05
389	389	2200042333687	Kerriers		10,035.56	0.05	0.05
390	390	2200042333710	Ernesettle Lane		881.85	0.05	0.05
392	392	2200042340230	Goonhilly Solar Park		746.11	0.05	0.05
393	393	2200042348674	Nanteague		4,734.97	0.05	0.05
394	394	2200042340824	Bidwell Dartington PV		1,811.43	0.05	0.05

Note: The list of MPANs / MSIDs provided may be incomplete; the DNO reserves the right to apply the listed charges to any other MPANs / MSIDs associated with the site.

Annex 2b - Schedule of Export Charges for use of the Distribution System by Designated EHV Properties (including LDNOs with Designated EHV Properties/end-users).

Export Unique Identifier	LLFC/DUoS Tariff Id	Export MPANs/MSIDs	Name	Export Super Red unit charge (p/kWh)	Export fixed charge (p/day)	Export capacity charge (p/kVA/day)	Export exceeded capacity charge (p/kVA/day)
395	395	2200042343221	New Row Farm		1,160.19	0.05	0.05
396	396	2200042354214	Woodland Barton Windfarm		8,106.37	0.05	0.05
397	397	2200042387502	Four Burrows 2		2,273.59	0.05	0.05
398	398	2200042398220	Redlands Farm		2,616.11	0.05	0.05
399	399	2200042400891	Tengore Lane PV		1,691.44	0.05	0.05
400	400	2200042400873	Liverton Farm (PV)	-0.783	474.51	0.05	0.05
401	401	2200042407879	Yonder Parks Farm		2,729.10	0.05	0.05
402	402	2200042410339	Somerton Door		891.32	0.05	0.05
403	403	2200042414867	Carditch Drove		763.96	0.05	0.05
404	404	2200042417803	Capelands Farm		792.64	0.05	0.05
405	405	2200042418807	East Youlstone WF		6,582.13	0.05	0.05
406	406	2200042437368	Francis Court Farm		1,051.54	0.05	0.05
407	407	2200042443325	Northwood		1,853.25	0.05	0.05
408	408	2200042443361	Tricky Warren		937.99	0.05	0.05
409	409	2200042447019	Iwood Lane		989.76	0.05	0.05
410	410	2200042446993	Rydon Farm		6,689.05	0.05	0.05
411	411	2200042446975	Balls Wood		5,852.71	0.05	0.05
412	412	2200042457499	Ashlawn Farm		1,677.38	0.05	0.05
413	413	2200042457912	Pencoose Farm		2,374.80	0.05	0.05
414	414	2200042457995	Hawkers Farm		797.34	0.05	0.05
415	415	2200042459566	Hurcott		835.30	0.05	0.05
416	416	2200042461306	Garvinack		6,772.99	0.05	0.05
417	417	2200042462188	New Barton		14,436.44	0.05	0.05
418	418	2200042465170	Coombeshead Farm		965.54	0.05	0.05
419	419	2200042465198	Walland Farm		796.09	0.05	0.05
420	420	2200042467600	Ashcombe		1,366.21	0.05	0.05
421	421	2200042469893	Newnham Farm		9,378.18	0.05	0.05
422	422	2200042473472	Roskrow Barton PV		2,032.91	0.05	0.05
423	423	2200042473454	Parkview Solar		1,018.78	0.05	0.05
424	424	2200042475178	Towerhead Farm		2,571.78	0.05	0.05
425	425	2200042475201	Rookery Farm		1,483.59	0.05	0.05
426	426	2200042475424	Bystock Farm		3,337.51	0.05	0.05
428	428	2200042475832	Burthy PV		1,352.78	0.05	0.05
429	429	2200042480656	Wilton Farm PV		1,020.77	0.05	0.05
431	431	2200042484882	Woodmanton (Coombe) Farm		2,573.08	0.05	0.05
432	432	2200042484855	Higher Bye Farm		1,683.02	0.05	0.05
433	433	2200042530740	Wilton Farm WF		1,408.86	0.05	0.05
434	434	2200042533420	Denzell Downs WF		10,579.09	0.05	0.05
435	435	2200042541635	Puriton Landfill PV_1 Rainbow		898.28	0.05	0.05
436	436	2200042557290	Portworthy Dams PV_1		1,173.75	0.05	0.05

Note: The list of MPANs / MSIDs provided may be incomplete; the DNO reserves the right to apply the listed charges to any other MPANs / MSIDs associated with the site.

Annex 2b - Schedule of Export Charges for use of the Distribution System by Designated EHV Properties (including LDNOs with Designated EHV Properties/end-users).

Export Unique Identifier	LLFC/DUoS Tariff Id	Export MPANs/MSIDs	Name	Export Super Red unit charge (p/kWh)	Export fixed charge (p/day)	Export capacity charge (p/kVA/day)	Export exceeded capacity charge (p/kVA/day)
494	494	2200043348709	Carland Cross (PV)	-5.294	196.50	0.05	0.05
439	439	2200042552646	Batsworthy WF		22,300.73	0.05	0.05
440	440	2200042557315	Portworthy Dams PV_2		1,056.37	0.05	0.05
443	443	2200042569161	Tonedale Farm PV		2,267.03	0.05	0.05
444	444	2200042541653	Puriton Landfill PV_2 SSB		808.45	0.05	0.05
447	447	2200042582455	Red Hill Farm		1,603.12	0.05	0.05
446	446	2200042574231	Chelwood		2,291.63	0.05	0.05
448	448	2200042592922	West Carclaze1		1,954.69	0.05	0.05
449	449	2200042592940	West Carclaze2		977.34	0.05	0.05
450	450	2200042495670	Northmoor (embd) PV		525.45	0.05	0.05
451	451	2200042540678	Nmoor Little Tinney WF		56.28	0.05	0.05
452	452	2200042540710	Nmoor East Balsdon WF		56.28	0.05	0.05
453	453	2200042598144	Nmoor Hornacott PV		525.45	0.05	0.05
454	454	2200042601355	Oakham Farm		1,418.36	0.05	0.05
455	455	2200042603246	Carnemough Farm		3,802.60	0.05	0.05
456	456	2200042689261	Ashwater WT Site 1		139.57	0.05	0.05
458	458	2200042620171	Great Houndbeare 2		3,064.01	0.05	0.05
459	459	2200042620214	Withy Drove		4,736.09	0.05	0.05
461	461	2200042620260	Fitzwarren (Montys) Farm		3,212.17	0.05	0.05
463	463	2200042622044	Dunsland Cross WF		715.70	0.05	0.05
464	464	2200042626953	Trerule Farm		2,133.36	0.05	0.05
465	465	2200042627159	Nancrossa		814.81	0.05	0.05
466	466	2200042637894	Wick Farm West		755.99	0.05	0.05
467	467	2200042655537	(LWeston ntw) Severn Community		3,009.34	0.05	0.05
469	469	2200042679608	Tamerton Bridge STOR	-2.439	1,905.75	0.05	0.05
470	470	2200042689280	Ashwater PV Site 2		1,161.25	0.05	0.05
471	471	2200042722617	Bodwen		4,479.60	0.05	0.05
472	472	2200042729783	Sharland Farm PV		2,549.11	0.05	0.05
473	473	2200042733479	Stoneshill Farm		2,860.24	0.05	0.05
474	474	2200042733869	Nmoor Parsonage Wood PV		384.37	0.05	0.05
475	475	2200042738714	Axe View Way PV		947.25	0.05	0.05
476	476	2200042742507	Place Barton Farm		2,202.42	0.05	0.05
477	477	2200042742525	Old Stone Farm		1,346.83	0.05	0.05
480	480	2200042784491	Lockleaze Battery Storage	-1.519	722.08	0.05	0.05
491	491	2200043210940	West Holcombe PV		1,029.15	0.05	0.05
492	492	2200043245190	Hallen 33kV Battery	-0.053	1,923.60	0.05	0.05
493	493	2200043332940	Two Post Cross PV	-3.886	837.00	0.05	0.05
601	601	2200031824542	Imerys1(Blackpool)		0.01	0.05	0.05
784	784	2200043470710	Lower Litchardon PV		3,350.09	0.05	0.05
785	785	2200042461324	Otterham WT Feeder1		27.02	0.05	0.05

Note: The list of MPANs / MSIDs provided may be incomplete; the DNO reserves the right to apply the listed charges to any other MPANs / MSIDs associated with the site.

Annex 2b - Schedule of Export Charges for use of the Distribution System by Designated EHV Properties (including LDNOs with Designated EHV Properties/end-users).

Export Unique Identifier	LLFC/DUoS Tariff Id	Export MPANs/MSIDs	Name	Export Super Red unit charge (p/kWh)	Export fixed charge (p/day)	Export capacity charge (p/kVA/day)	Export exceeded capacity charge (p/kVA/day)
786	786	2200042501429	Otterham WT Feeder2		194.54	0.05	0.05
789	789	2200042141142	Wyld Meadow		1,755.23	0.05	0.05
791	791	2200042141277	Prince Rock	-6.393	551.91	0.05	0.05
765	765	2200032168616	Bradon Farm	-0.686	3,885.32	0.05	0.05
766	766	2200031664357	Carland Cross (WF Boundary)	-5.294	492.96	0.05	0.05
767	767	2200031822971	Cold Northcott	-59.701	796.05	0.05	0.05
768	768	2200040863399	Forestmoor 1				
769	769	2200040863422	Forestmoor 2				
770	770	2200031823558	Four Burrows		1,856.34	0.05	0.05
783	783	2200042384200	Canworthy PV		1,560.34	0.05	0.05
775	775	2200031823530	St Breock		1,867.84	0.05	0.05
723	723	2200042334148	DML - Central	-5.621	4,942.07	0.05	0.05
748	748	2200042602298	Denbrook WF		8,746.00	0.05	0.05
747	747	2200041804446	Hayle Wave Hub		1,041.95	0.05	0.05
752	752	2200040571122	Connon Bridge	-17.905	1,530.60	0.05	0.05
753	753	2200040979039	Chelson	-6.746	867.96	0.05	0.05
754	754	2200041253506	Darracott		1,017.51	0.05	0.05
764	764	2200040164254	Bears Down		2,936.20	0.05	0.05
757	757	2200040473940	St Day	-8.089	1,169.11	0.05	0.05
758	758	2200041499762	Shooters Bottom		1,410.54	0.05	0.05
760	760	2200041625587	Heathfield	-11.396	746.48	0.05	0.05
761	761	2200041845850	Goonhilly		1,379.99	0.05	0.05
762	762	2200041786683	Delabole		1,890.87	0.05	0.05
763	763	2200041930498	Fullabrook		48,625.33	0.05	0.05
724	724	2200042142410	Luxulyan(Trenoweth Farm)		2,339.21	0.05	0.05
725	725	2200042142457	Woodland Barton PV 33kV Gen		2,565.35	0.05	0.05
726	726	2200041978782	Manor PV Farm 33kV		1,061.29	0.05	0.05
727	727	2200041978861	Churchtown Farm PV 33kV		791.81	0.05	0.05
728	728	2200041978807	Trenouth PV 33kV		3,134.40	0.05	0.05
732	732	2200041979883	Howton Farm PV 33kV		1,094.28	0.05	0.05
734	734	2200042682424	Newton Downs Farm		1,651.14	0.05	0.05
735	735	2200041978737	East Langford PV 33kV		1,102.79	0.05	0.05
736	736	2200042194288	NINNIS PV 33kV Gen		1,685.52	0.05	0.05
737	737	2200042208833	Willsland PV 33kV Gen		1,095.77	0.05	0.05
738	738	2200042141160	Eastcombe PV 33kV Gen		1,703.74	0.05	0.05
739	739	2200042172888	Bratton Flemming PV		852.88	0.05	0.05
740	740	2200042196745	Beaford Brook PV		862.83	0.05	0.05
742	742	2200042206613	Park Wall PV		1,082.82	0.05	0.05
743	743	2200042198520	Bradford Solar Park		6,503.02	0.05	0.05
744	744	2200041982947	Causilgey PV 33kV Gen		926.29	0.05	0.05

Note: The list of MPANs / MSIDs provided may be incomplete; the DNO reserves the right to apply the listed charges to any other MPANs / MSIDs associated with the site.

Annex 2b - Schedule of Export Charges for use of the Distribution System by Designated EHV Properties (including LDNOs with Designated EHV Properties/end-users).

Export Unique Identifier	LLFC/DUoS Tariff Id	Export MPANs/MSIDs	Name	Export Super Red unit charge (p/kWh)	Export fixed charge (p/day)	Export capacity charge (p/kVA/day)	Export exceeded capacity charge (p/kVA/day)
745	745	2200042042975	Beechgrove Farm PV 33kV		1,079.40	0.05	0.05
772	772	2200031825680	Isles of Scilly	-28.350	484.98	0.05	0.05
666	666	2200042019354	BLACKDITCH 33kV		728.12	0.05	0.05
806	806	2200041310085	Avonmouth Docks Boundary				
586	586	2200042534080	CERC St Dennis	-0.037	2,999.98	0.05	0.05
587	587	2200042538749	Sevenside Energy Recovery Centre		14,528.70	0.05	0.05
588	588	2200042787386	Old Green Wind Farm	-0.008	393.23	0.05	0.05
589	589	2200043649516	Old Green Battery	-0.008	599.88	0.05	0.05
590	590	2200043698364	Otterham WF Extension		54.04	0.05	0.05
591	591	2200043698903	Tregeen AD(OTHM1)	-0.869	43.23	0.05	0.05
592	592	2200043841306	Tale Lane PV ESS 132kV	-0.073	1,917.65	0.05	0.05
593	593	2200043969229	Fraddon Solar		3,079.79	0.05	0.05
594	594	2200044045913	Cold Harbour PV 132kV		1,554.62	0.05	0.05
595	595	2200044050160	Marsh Green Farm PV 132kV		1,520.19	0.05	0.05
693	693	2200031824213	SWW Roadford		353.76	0.05	0.05
HP Export	HP Export	HP Export	HewlettPackard		31.15	0.05	0.05
808	808	2200031824747	BGasHallen				
807	807	2200041310094	Portbury Dock		277.94	0.05	0.05
795	795	2200042430770	Whatley Quarry	-15.150	123.00	0.05	0.05
809	809	2200041209989	Hemyock (Broadpath LF)	-5.714	179.62	0.05	0.05
794	794	2200031824524	Imerys(Torycombe)		224.02	0.05	0.05
722	722	2200041987314 2200041987323	Royal United Hospital		132.93	0.05	0.05
776	776	2200042103449	Avonmouth BCC WF 33kV Gen		1,776.14	0.05	0.05
777	777	2200042108289	Bodiniel PV Park 33kV Gen		1,161.16	0.05	0.05
778	778	2200042385462	Garlenick WF 33kV		8,219.02	0.05	0.05
779	779	2200042165046	Warleigh Barton PV 33kV Gen		1,577.52	0.05	0.05
780	780	2200042171458	Winnards Perch PV 33kV Gen		1,738.65	0.05	0.05
781	781	2200042356285	Galsworthy WF		1,415.95	0.05	0.05
751	751	2200032050436	RR Power Development	-0.048	19,110.29	0.05	0.05
804	804	2200031824551	Imerys5(Drinnick)		251.47	0.05	0.05
803	803	2200030347690	Imerys4(Bugle)	-9.410	400.78	0.05	0.05
801	801	2200031824738	Imerys3(Trebal)		126.26	0.05	0.05
802	802	2200031824490	Imerys6(Par)	-5.502	495.08	0.05	0.05
790	790	2200042163493	Marley Thatch PV		1,064.28	0.05	0.05
793	793	2200042093720 2200042093739 2200042093757	Bristol Royal Infirmary	-2.100	301.41	0.05	0.05
796	796	2200043563045	Hill Barton Business Park 11kV	-9.481	162.08	0.05	0.05
792	792	2200042163457	Burrowton Farm PV		961.80	0.05	0.05

Note: The list of MPANs / MSIDs provided may be incomplete; the DNO reserves the right to apply the listed charges to any other MPANs / MSIDs associated with the site.

Annex 2b - Schedule of Export Charges for use of the Distribution System by Designated EHV Properties (including LDNOs with Designated EHV Properties/end-users).

Export Unique Identifier	LLFC/DUoS Tariff Id	Export MPANs/MSIDs	Name	Export Super Red unit charge (p/kWh)	Export fixed charge (p/day)	Export capacity charge (p/kVA/day)	Export exceeded capacity charge (p/kVA/day)
900	900	2200042165064	Callington Solar		845.39	0.05	0.05
901	901	2200042165082	Hope Solar		1,833.84	0.05	0.05
903	903	2200042172052	NES Kingsweston Lane	-1.150	1,038.29	0.05	0.05
905	905	2200042169723	Slade Farm PV		1,555.99	0.05	0.05
906	906	2200042171192	Rew Farm PV		1,406.49	0.05	0.05
907	907	2200042171226	Higher Trenhayle PV		1,077.44	0.05	0.05
908	908	2200042171253	Middle Treworder PV		894.73	0.05	0.05
909	909	2200042171625	Penhale Farm PV		1,334.17	0.05	0.05
910	910	2200042172521	Ayshford Court PV		796.60	0.05	0.05
911	911	2200042172930	West Hill PV		8,041.65	0.05	0.05
912	912	2200042172902	Knockworthy Farm PV		752.36	0.05	0.05
914	914	2200042174281	Trekenning Farm PV		6,472.98	0.05	0.05
915	915	2200042184378	Four Burrows PV		759.45	0.05	0.05
918	918	2200042191765	Halse Farm PV		758.37	0.05	0.05
919	919	2200042192769	Hatchlands Farm PV		1,482.52	0.05	0.05
920	920	2200042193888	Higher Trevartha PV		1,788.37	0.05	0.05
922	922	2200042194056	Ford Farm PV		797.56	0.05	0.05
924	924	2200042346000	Trequite		2,111.39	0.05	0.05
926	926	2200042193744	Higher Tregarne PV		2,714.52	0.05	0.05
927	927	2200042195608	Higher North Beer PV		818.35	0.05	0.05
928	928	2200042196790	Horsacott PV		782.76	0.05	0.05
929	929	2200042201261	Langunnett PV		3,481.58	0.05	0.05
930	930	2200042201280	Trefinnick Farm PV		3,393.66	0.05	0.05
931	931	2200042202948	Little Trevease Farm PV		1,228.58	0.05	0.05
932	932	2200042432634	Marksbury		1,258.10	0.05	0.05
933	933	2200042202984	Cobbs Cross		1,139.08	0.05	0.05
934	934	2200042204661	Newlands Farm		1,226.49	0.05	0.05
935	935	2200042206599	CRICKET ST THOMAS		1,210.66	0.05	0.05
936	936	2200042206631	Parsonage Barn		3,135.21	0.05	0.05
937	937	2200042208815	Hewas PV		2,017.70	0.05	0.05
938	938	2200042208851	CRINACOTT PV		2,582.68	0.05	0.05
939	939	2200042214720	Penare Farm		712.32	0.05	0.05
940	940	2200042214749	Aller Court		1,655.55	0.05	0.05
942	942	2200042214952	Stonebarrow		904.76	0.05	0.05
943	943	2200042215097	Whitley Farm		1,501.66	0.05	0.05
944	944	2200042215255	New Rendy Farm		1,078.44	0.05	0.05
945	945	2200042216852	Tregassow		3,388.42	0.05	0.05
946	946	2200042218414	Pitworthy		11,201.51	0.05	0.05
947	947	2200042224269	Foxcombe PV		1,084.52	0.05	0.05
948	948	2200042224287	Rexon Cross PV Farm		1,119.65	0.05	0.05

Note: The list of MPANs / MSIDs provided may be incomplete; the DNO reserves the right to apply the listed charges to any other MPANs / MSIDs associated with the site.

Annex 2b - Schedule of Export Charges for use of the Distribution System by Designated EHV Properties (including LDNOs with Designated EHV Properties/end-users).

Export Unique Identifier	LLFC/DUoS Tariff Id	Export MPANs/MSIDs	Name	Export Super Red unit charge (p/kWh)	Export fixed charge (p/day)	Export capacity charge (p/kVA/day)	Export exceeded capacity charge (p/kVA/day)
949	949	2200042242899	Hazard Farm PV		2,115.38	0.05	0.05
950	950	2200042244682	Luscott Barton		1,446.23	0.05	0.05
951	951	2200042254139	Grange Farm PV		1,909.09	0.05	0.05
952	952	2200042352183	Derriton Fields		6,244.83	0.05	0.05
953	953	2200042278487	Cleave Farm		4,602.25	0.05	0.05
954	954	2200042342041	Woolavington		2,151.70	0.05	0.05
955	955	2200042342079	Trehawke Farm		4,188.26	0.05	0.05
956	956	2200042278760	Higher Berechapel Farm	-6.138	1,333.47	0.05	0.05
957	957	2200042278956	Bommertown		934.60	0.05	0.05
958	958	2200042349748	Carloggas Farm		3,568.25	0.05	0.05
481	481	2200042911992	Viridor EFW (Seabank)	-0.053	1,570.24	0.05	0.05
482	482	2200042911947	Alders Way STOR	-2.687	1,502.50	0.05	0.05
483	483	2200042911974	Rockingham STOR	-1.135	7,993.74	0.05	0.05
484	484	2200042965260	Fideoak Battery		1,037.78	0.05	0.05
485	485	2200042991000	Hele Manor STOR		712.40	0.05	0.05
487	487	2200043111681	Creacombe Solar (MRLF3)		2,040.81	0.05	0.05
488	488	2200043111706	Marlands Solar (MRLF3)		1,133.78	0.05	0.05
489	489	2200043152456	Wave Hub Battery	-10.812	54.84	0.05	0.05
490	490	2200043161743	Ventonteague Wind Turbine		997.82	0.05	0.05
7158	7158	7158	Huntworth	-2.774	765.07	0.05	0.05
7318	7318	7318	Barton Hill STOR CVA	-0.098	741.56	0.05	0.05
7320	7320	7320	Water Lane B	-7.554	2,148.88	0.05	0.05
7342	7342	7342	Cattedown STOR CVA	-6.390	1,346.25	0.05	0.05
7446	7446	7446	Exeter Power Station	-2.135	1,543.61	0.05	0.05
7495	7495	7495	Peak Gen Exeter	-7.301	4,090.07	0.05	0.05
7526	7526	7526	Barton Hill Way ESS 33kV	-0.098	405.46	0.05	0.05
7577	7577	7577	North Tawton ESS 33kV IDNO	-0.489	792.69	0.05	0.05
427	427	2200042573488	Pylle PV Site 1		854.30	0.05	0.05
437	437	2200042542763	Wick Farm PV_1 Export		359.99	0.05	0.05
438	438	2200042542781	Wick Farm PV_2 Export		359.99	0.05	0.05
441	441	2200042563230	Crewkerne PV Site 1		1,569.52	0.05	0.05
442	442	2200042563276 2200042710611	Crewkerne PV Site 2		1,569.52	0.05	0.05
445	445	2200042573502	Pylle PV Site 2		854.30	0.05	0.05
New Export 1	New Export 1	New Export 1	Ash Farm PV 33kV		1,808.48	0.05	0.05
New Export 2	New Export 2	New Export 2	Cattybrook PV 132kV		1,554.59	0.05	0.05
New Export 3	New Export 3	New Export 3	Chelson Meadow PV 33kV		721.90	0.05	0.05
New Export 4	New Export 4	New Export 4	Clyst St Lawrence Energy Storage		2,161.72	0.05	0.05
New Export 5	New Export 5	New Export 5	Cornwall Bio Park	-6.992	6,530.36	0.05	0.05
New Export 6	New Export 6	New Export 6	Deptford Farm PV ESS 132kV	-0.058	792.85	0.05	0.05

Note: The list of MPANs / MSIDs provided may be incomplete; the DNO reserves the right to apply the listed charges to any other MPANs / MSIDs associated with the site.

Annex 2b - Schedule of Export Charges for use of the Distribution System by Designated EHV Properties (including LDNOs with Designated EHV Properties/end-users).

Export Unique Identifier	LLFC/DUoS Tariff Id	Export MPANs/MSIDs	Name	Export Super Red unit charge (p/kWh)	Export fixed charge (p/day)	Export capacity charge (p/kVA/day)	Export exceeded capacity charge (p/kVA/day)
New Export 8	New Export 8	New Export 8	Fairview ESS 132kV	-5.322	784.93	0.05	0.05
New Export 11	New Export 11	New Export 11	GS394 Plymouth Centre		37.25	0.05	0.05
New Export 12	New Export 12	New Export 12	Hayle PV ESS 132kV	-7.099	1,147.97	0.05	0.05
New Export 13	New Export 13	New Export 13	Higher Hawkerland Farm PV 33kV		4,264.66	0.05	0.05
New Export 14	New Export 14	New Export 14	Higher Witheven PV 132kV		1,560.30	0.05	0.05
New Export 15	New Export 15	New Export 15	Hoppaworthy PV ESS 132kV		805.05	0.05	0.05
New Export 16	New Export 16	New Export 16	Land at Imerys WT		3,586.42	0.05	0.05
New Export 18	New Export 18	New Export 18	Mahe PV 33kV		4,356.39	0.05	0.05
New Export 19	New Export 19	New Export 19	Menear PV ESS 33kV	-4.138	601.14	0.05	0.05
New Export 20	New Export 20	New Export 20	Ottery St Mary PV		5,271.20	0.05	0.05
New Export 21	New Export 21	New Export 21	Peradon PV ESS 132kV	-0.057	1,096.81	0.05	0.05
New Export 22	New Export 22	New Export 22	Perrinpit Road PV		1,565.88	0.05	0.05
New Export 23	New Export 23	New Export 23	Preston PV 33kV		725.42	0.05	0.05
New Export 24	New Export 24	New Export 24	Pyworthy PV 33kV		2,309.79	0.05	0.05
New Export 26	New Export 26	New Export 26	Sandbay PV 33kV		9,844.00	0.05	0.05
New Export 27	New Export 27	New Export 27	Says Court Farm ESS 132kV	-0.250	792.85	0.05	0.05
New Export 28	New Export 28	New Export 28	Severn Road Gas STOR 132kV	-0.028	2,752.86	0.05	0.05
New Export 29	New Export 29	New Export 29	Severn Road Gas STOR B 132kV	-0.028	1,521.67	0.05	0.05
New Export 31	New Export 31	New Export 31	Sparrowhawk PV 33kV		1,449.92	0.05	0.05
New Export 32	New Export 32	New Export 32	St Austell BESS (50MW)	-3.247	1,389.51	0.05	0.05
New Export 35	New Export 35	New Export 35	Stowey Road PV		1,554.59	0.05	0.05
New Export 38	New Export 38	New Export 38	Trenoweth Farm PV	-6.701	2,808.87	0.05	0.05
New Export 39	New Export 39	New Export 39	Treviscoe PV ESS 132kV - Treviscoe		2,373.72	0.05	0.05
New Export 40	New Export 40	New Export 40	Watchet ESS 33kV		417.76	0.05	0.05
New Export 41	New Export 41	New Export 41	Welton Hill	-10.167	805.05	0.05	0.05
New Export 42	New Export 42	New Export 42	Wyndham Estate PV ESS 33kV		1,671.43	0.05	0.05
New Export 43	New Export 43	New Export 43	Yanel PV 132kV		1,565.82	0.05	0.05

Note: The list of MPANs / MSIDs provided may be incomplete; the DNO reserves the right to apply the listed charges to any other MPANs / MSIDs associated with the site.

Annex 3 - Schedule of Charges for use of the Distribution System to Preserved/Additional LLFC Classes

We currently do not have any Preserved/Additional LLFC Classes.

National Grid Electricity Distribution (South West) plc - Effective from 1 April 2027 - Final LV and HV tariffs									
Supercustomer preserved charges/additional LLFCs									
	Closed LLFCs/DUoS Tariff Id	PCs	Red/black unit charge p/kWh	Amber/yellow unit charge p/kWh	Green unit charge p/kWh	Fixed charge p/MPAN/day			
Notes:	[Add DNO specific notes relevant to charges]								

Site Specific preserved charges/additional LLFCs									
	Closed LLFCs/DUoS Tariff Id	PCs	Red/black unit charge p/kWh	Amber/yellow unit charge p/kWh	Green unit charge p/kWh	Fixed charge p/MPAN/day	Capacity charge p/kVA/day	Exceeded capacity charge p/kVA/day	Reactive power charge p/kVArh
		0							
Notes:	Time periods [Add DNO specific notes relevant to charges] Unit charges in the red time band apply – between [xxxx] and [xxxx], Monday to Friday including bank holidays. Unit charges in the amber time band apply – between [xxxx] and [xxxx], Monday to Friday including bank holidays. Unit charges in the green time band apply – between [xxxx] and [xxxx], Monday to Friday including bank holidays, and [xxxx] and [xxxx] Saturday and Sunday. All times are UK clock-time. [Add DNO specific notes]								

Annex 4 - Charges applied to LDNOs with HV/LV end users

National Grid Electricity Distribution (South West) plc - Effective from 1 April 2027 - Final LDNO tariffs

Time Bands for LV and HV Designated Properties			
Time periods	Red Time Band	Amber Time Band	Green Time Band
Monday to Friday (Including Bank Holidays) All Year	17:00 to 19:00	07:30 to 17:00 19:00 to 21:30	00:00 to 07:30 21:30 to 24:00
Saturday and Sunday All Year		16:30 to 19:30	00:00 to 16:30 19:30 to 24:00
Notes	All the above times are in UK Clock time		

Time Bands for Unmetered Properties			
	Black Time Band	Yellow Time Band	Green Time Band
Monday to Friday (Including Bank Holidays) Nov to Feb Inclusive (excluding 22nd Dec to 4th Jan inclusive)	17:00 to 19:00	07:30 to 17:00 19:00 to 21:30	00:00 to 07:30 21:30 to 24:00
Monday to Friday (Including Bank Holidays) Mar to Oct Inclusive (plus 22nd Dec to 4th Jan inclusive)		07:30 to 21:30	00:00 to 07:30 21:30 to 24:00
Saturday and Sunday All Year		16:30 to 19:30	00:00 to 16:30 19:30 to 24:00
Notes	All the above times are in UK Clock time		

Tariff name	Unique billing identifier	PCs	Red/black unit charge p/kWh	Amber/yellow unit charge p/kWh	Green unit charge p/kWh	Fixed charge p/MPAN/day	Capacity charge p/kVA/day	Exceeded capacity charge p/kVA/day	Reactive power charge p/kVArh
LDNO LV: Domestic Aggregated or CT with Residual		1, 2 or 0	15.081	1.203	0.119	10.59			
LDNO LV: Domestic Aggregated (related MPAN)		2	15.081	1.203	0.119				
LDNO LV: Non-Domestic Aggregated or CT No Residual		3 to 8 or 0	14.754	1.177	0.116	11.43			
LDNO LV: Non-Domestic Aggregated or CT Band 1		3 to 8 or 0	14.754	1.177	0.116	13.38			
LDNO LV: Non-Domestic Aggregated or CT Band 2		3 to 8 or 0	14.754	1.177	0.116	19.36			
LDNO LV: Non-Domestic Aggregated or CT Band 3		3 to 8 or 0	14.754	1.177	0.116	27.36			
LDNO LV: Non-Domestic Aggregated or CT Band 4		3 to 8 or 0	14.754	1.177	0.116	50.14			
LDNO LV: Non-Domestic Aggregated (related MPAN)		4	14.754	1.177	0.116				
LDNO LV: LV Site Specific No Residual		0	9.162	0.651	0.066	11.33	7.67	7.67	0.150
LDNO LV: LV Site Specific Band 1		0	9.162	0.651	0.066	84.51	7.67	7.67	0.150
LDNO LV: LV Site Specific Band 2		0	9.162	0.651	0.066	142.66	7.67	7.67	0.150
LDNO LV: LV Site Specific Band 3		0	9.162	0.651	0.066	220.07	7.67	7.67	0.150
LDNO LV: LV Site Specific Band 4		0	9.162	0.651	0.066	473.87	7.67	7.67	0.150
LDNO LV: Unmetered Supplies		0, 1 or 8	45.018	2.464	1.224				
LDNO LV: LV Generation Aggregated		0	-15.280	-1.219	-0.121	0.00			
LDNO LV: LV Generation Site Specific		0	-15.280	-1.219	-0.121	0.00			0.312
LDNO HV: Domestic Aggregated or CT with Residual		1, 2 or 0	10.108	0.806	0.080	7.10			
LDNO HV: Domestic Aggregated (Related MPAN)		2	10.108	0.806	0.080				
LDNO HV: Non-Domestic Aggregated or CT No Residual		3 to 8 or 0	9.889	0.789	0.078	7.66			
LDNO HV: Non-Domestic Aggregated or CT Band 1		3 to 8 or 0	9.889	0.789	0.078	8.97			
LDNO HV: Non-Domestic Aggregated or CT Band 2		3 to 8 or 0	9.889	0.789	0.078	12.97			
LDNO HV: Non-Domestic Aggregated or CT Band 3		3 to 8 or 0	9.889	0.789	0.078	18.34			
LDNO HV: Non-Domestic Aggregated or CT Band 4		3 to 8 or 0	9.889	0.789	0.078	33.61			
LDNO HV: Non-Domestic Aggregated (related MPAN)		4	9.889	0.789	0.078				
LDNO HV: LV Site Specific No Residual		0	6.142	0.437	0.044	7.60	5.14	5.14	0.101
LDNO HV: LV Site Specific Band 1		0	6.142	0.437	0.044	56.65	5.14	5.14	0.101
LDNO HV: LV Site Specific Band 2		0	6.142	0.437	0.044	95.62	5.14	5.14	0.101
LDNO HV: LV Site Specific Band 3		0	6.142	0.437	0.044	147.51	5.14	5.14	0.101
LDNO HV: LV Site Specific Band 4		0	6.142	0.437	0.044	317.64	5.14	5.14	0.101
LDNO HV: LV Sub Site Specific No Residual		0	6.776	0.342	0.037	10.28	7.63	7.63	0.096
LDNO HV: LV Sub Site Specific Band 1		0	6.776	0.342	0.037	95.30	7.63	7.63	0.096
LDNO HV: LV Sub Site Specific Band 2		0	6.776	0.342	0.037	162.86	7.63	7.63	0.096
LDNO HV: LV Sub Site Specific Band 3		0	6.776	0.342	0.037	252.81	7.63	7.63	0.096
LDNO HV: LV Sub Site Specific Band 4		0	6.776	0.342	0.037	547.71	7.63	7.63	0.096
LDNO HV: HV Site Specific No Residual		0	6.148	0.236	0.027	112.73	8.70	8.70	0.079
LDNO HV: HV Site Specific Band 1		0	6.148	0.236	0.027	848.40	8.70	8.70	0.079
LDNO HV: HV Site Specific Band 2		0	6.148	0.236	0.027	1810.11	8.70	8.70	0.079
LDNO HV: HV Site Specific Band 3		0	6.148	0.236	0.027	3952.13	8.70	8.70	0.079
LDNO HV: HV Site Specific Band 4		0	6.148	0.236	0.027	7507.68	8.70	8.70	0.079
LDNO HV: Unmetered Supplies		0, 1 or 8	30.175	1.652	0.821				
LDNO HV: LV Generation Aggregated		0	-15.280	-1.219	-0.121	0.00			
LDNO HV: LV Sub Generation Aggregated		0	-13.109	-0.975	-0.097	0.00			

Note: Where a tariff only has a p/kWh unit rate in Unit Charge 1 then this unit rate applies at all times.

Annex 4 - Charges applied to LDNOs with HV/LV end users

Tariff name	Unique billing identifier	PCs	Red/black unit charge p/kWh	Amber/yellow unit charge p/kWh	Green unit charge p/kWh	Fixed charge p/MPAN/day	Capacity charge p/kVA/day	Exceeded capacity charge p/kVA/day	Reactive power charge p/kVArh
LDNO HV: LV Generation Site Specific		0	-15.280	-1.219	-0.121	0.00			0.312
LDNO HV: LV Sub Generation Site Specific		0	-13.109	-0.975	-0.097	0.00			0.224
LDNO HV: HV Generation Site Specific		0	-8.196	-0.414	-0.045	0.00			0.187
LDNO HVplus: Domestic Aggregated or CT with Residual		1, 2 or 0	7.086	0.565	0.056	4.98			
LDNO HVplus: Domestic Aggregated (related MPAN)		2	7.086	0.565	0.056				
LDNO HVplus: Non-Domestic Aggregated or CT No Residual		3 to 8 or 0	6.932	0.553	0.055	5.37			
LDNO HVplus: Non-Domestic Aggregated or CT Band 1		3 to 8 or 0	6.932	0.553	0.055	6.29			
LDNO HVplus: Non-Domestic Aggregated or CT Band 2		3 to 8 or 0	6.932	0.553	0.055	9.09			
LDNO HVplus: Non-Domestic Aggregated or CT Band 3		3 to 8 or 0	6.932	0.553	0.055	12.86			
LDNO HVplus: Non-Domestic Aggregated or CT Band 4		3 to 8 or 0	6.932	0.553	0.055	23.56			
LDNO HVplus: Non-Domestic Aggregated (related MPAN)		4	6.932	0.553	0.055				
LDNO HVplus: LV Site Specific No Residual		0	4.305	0.306	0.031	5.33	3.60	3.60	0.070
LDNO HVplus: LV Site Specific Band 1		0	4.305	0.306	0.031	39.71	3.60	3.60	0.070
LDNO HVplus: LV Site Specific Band 2		0	4.305	0.306	0.031	67.03	3.60	3.60	0.070
LDNO HVplus: LV Site Specific Band 3		0	4.305	0.306	0.031	103.41	3.60	3.60	0.070
LDNO HVplus: LV Site Specific Band 4		0	4.305	0.306	0.031	222.66	3.60	3.60	0.070
LDNO HVplus: LV Sub Site Specific No Residual		0	4.640	0.234	0.025	7.04	5.22	5.22	0.065
LDNO HVplus: LV Sub Site Specific Band 1		0	4.640	0.234	0.025	65.25	5.22	5.22	0.065
LDNO HVplus: LV Sub Site Specific Band 2		0	4.640	0.234	0.025	111.51	5.22	5.22	0.065
LDNO HVplus: LV Sub Site Specific Band 3		0	4.640	0.234	0.025	173.10	5.22	5.22	0.065
LDNO HVplus: LV Sub Site Specific Band 4		0	4.640	0.234	0.025	375.01	5.22	5.22	0.065
LDNO HVplus: HV Site Specific No Residual		0	4.160	0.159	0.018	76.28	5.89	5.89	0.054
LDNO HVplus: HV Site Specific Band 1		0	4.160	0.159	0.018	574.08	5.89	5.89	0.054
LDNO HVplus: HV Site Specific Band 2		0	4.160	0.159	0.018	1224.84	5.89	5.89	0.054
LDNO HVplus: HV Site Specific Band 3		0	4.160	0.159	0.018	2674.27	5.89	5.89	0.054
LDNO HVplus: HV Site Specific Band 4		0	4.160	0.159	0.018	5080.18	5.89	5.89	0.054
LDNO HVplus: Unmetered Supplies		0, 1 or 8	21.153	1.158	0.575				
LDNO HVplus: LV Generation Aggregated		0	-7.219	-0.576	-0.057	0.00			
LDNO HVplus: LV Sub Generation Aggregated		0	-7.271	-0.541	-0.054	0.00			
LDNO HVplus: LV Generation Site Specific		0	-7.219	-0.576	-0.057	0.00			0.148
LDNO HVplus: LV Sub Generation Site Specific		0	-7.271	-0.541	-0.054	0.00			0.124
LDNO HVplus: HV Generation Site Specific		0	-8.196	-0.414	-0.045	86.08			0.187
LDNO EHV: Domestic Aggregated or CT with Residual		1, 2 or 0	5.517	0.440	0.044	3.87			
LDNO EHV: Domestic Aggregated (related MPAN)		2	5.517	0.440	0.044				
LDNO EHV: Non-Domestic Aggregated or CT No Residual		3 to 8 or 0	5.398	0.431	0.043	4.18			
LDNO EHV: Non-Domestic Aggregated or CT Band 1		3 to 8 or 0	5.398	0.431	0.043	4.89			
LDNO EHV: Non-Domestic Aggregated or CT Band 2		3 to 8 or 0	5.398	0.431	0.043	7.08			
LDNO EHV: Non-Domestic Aggregated or CT Band 3		3 to 8 or 0	5.398	0.431	0.043	10.01			
LDNO EHV: Non-Domestic Aggregated or CT Band 4		3 to 8 or 0	5.398	0.431	0.043	18.35			
LDNO EHV: Non-Domestic Aggregated (related MPAN)		4	5.398	0.431	0.043				
LDNO EHV: LV Site Specific No Residual		0	3.352	0.238	0.024	4.15	2.81	2.81	0.055
LDNO EHV: LV Site Specific Band 1		0	3.352	0.238	0.024	30.92	2.81	2.81	0.055
LDNO EHV: LV Site Specific Band 2		0	3.352	0.238	0.024	52.19	2.81	2.81	0.055
LDNO EHV: LV Site Specific Band 3		0	3.352	0.238	0.024	80.51	2.81	2.81	0.055
LDNO EHV: LV Site Specific Band 4		0	3.352	0.238	0.024	173.37	2.81	2.81	0.055
LDNO EHV: LV Sub Site Specific No Residual		0	3.613	0.182	0.020	5.48	4.07	4.07	0.051
LDNO EHV: LV Sub Site Specific Band 1		0	3.613	0.182	0.020	50.81	4.07	4.07	0.051
LDNO EHV: LV Sub Site Specific Band 2		0	3.613	0.182	0.020	86.83	4.07	4.07	0.051
LDNO EHV: LV Sub Site Specific Band 3		0	3.613	0.182	0.020	134.78	4.07	4.07	0.051
LDNO EHV: LV Sub Site Specific Band 4		0	3.613	0.182	0.020	291.99	4.07	4.07	0.051
LDNO EHV: HV Site Specific No Residual		0	3.239	0.124	0.014	59.40	4.58	4.58	0.042
LDNO EHV: HV Site Specific Band 1		0	3.239	0.124	0.014	446.99	4.58	4.58	0.042
LDNO EHV: HV Site Specific Band 2		0	3.239	0.124	0.014	953.69	4.58	4.58	0.042
LDNO EHV: HV Site Specific Band 3		0	3.239	0.124	0.014	2082.26	4.58	4.58	0.042
LDNO EHV: HV Site Specific Band 4		0	3.239	0.124	0.014	3955.57	4.58	4.58	0.042
LDNO EHV: Unmetered Supplies		0, 1 or 8	16.470	0.902	0.448				
LDNO EHV: LV Generation Aggregated		0	-5.621	-0.448	-0.044	0.00			

Note: Where a tariff only has a p/kWh unit rate in Unit Charge 1 then this unit rate applies at all times.

Annex 4 - Charges applied to LDNOs with HV/LV end users

Tariff name	Unique billing identifier	PCs	Red/black unit charge p/kWh	Amber/yellow unit charge p/kWh	Green unit charge p/kWh	Fixed charge p/MPAN/day	Capacity charge p/kVA/day	Exceeded capacity charge p/kVA/day	Reactive power charge p/kVArh
LDNO EHV: LV Sub Generation Aggregated		0	-5.661	-0.421	-0.042	0.00			
LDNO EHV: LV Generation Site Specific		0	-5.621	-0.448	-0.044	0.00			0.115
LDNO EHV: LV Sub Generation Site Specific		0	-5.661	-0.421	-0.042	0.00			0.097
LDNO EHV: HV Generation Site Specific		0	-6.382	-0.322	-0.035	67.02			0.146
LDNO 132kV/EHV: Domestic Aggregated or CT with Residual		1, 2 or 0	4.218	0.336	0.033	2.96			
LDNO 132kV/EHV: Domestic Aggregated (related MPAN)		2	4.218	0.336	0.033				
LDNO 132kV/EHV: Non-Domestic Aggregated or CT No Residual		3 to 8 or 0	4.127	0.329	0.033	3.20			
LDNO 132kV/EHV: Non-Domestic Aggregated or CT Band 1		3 to 8 or 0	4.127	0.329	0.033	3.74			
LDNO 132kV/EHV: Non-Domestic Aggregated or CT Band 2		3 to 8 or 0	4.127	0.329	0.033	5.41			
LDNO 132kV/EHV: Non-Domestic Aggregated or CT Band 3		3 to 8 or 0	4.127	0.329	0.033	7.65			
LDNO 132kV/EHV: Non-Domestic Aggregated or CT Band 4		3 to 8 or 0	4.127	0.329	0.033	14.03			
LDNO 132kV/EHV: Non-Domestic Aggregated (related MPAN)		4	4.127	0.329	0.033				
LDNO 132kV/EHV: LV Site Specific No Residual		0	2.563	0.182	0.018	3.17	2.14	2.14	0.042
LDNO 132kV/EHV: LV Site Specific Band 1		0	2.563	0.182	0.018	23.64	2.14	2.14	0.042
LDNO 132kV/EHV: LV Site Specific Band 2		0	2.563	0.182	0.018	39.91	2.14	2.14	0.042
LDNO 132kV/EHV: LV Site Specific Band 3		0	2.563	0.182	0.018	61.56	2.14	2.14	0.042
LDNO 132kV/EHV: LV Site Specific Band 4		0	2.563	0.182	0.018	132.56	2.14	2.14	0.042
LDNO 132kV/EHV: LV Sub Site Specific No Residual		0	2.762	0.139	0.015	4.19	3.11	3.11	0.039
LDNO 132kV/EHV: LV Sub Site Specific Band 1		0	2.762	0.139	0.015	38.85	3.11	3.11	0.039
LDNO 132kV/EHV: LV Sub Site Specific Band 2		0	2.762	0.139	0.015	66.39	3.11	3.11	0.039
LDNO 132kV/EHV: LV Sub Site Specific Band 3		0	2.762	0.139	0.015	103.05	3.11	3.11	0.039
LDNO 132kV/EHV: LV Sub Site Specific Band 4		0	2.762	0.139	0.015	223.26	3.11	3.11	0.039
LDNO 132kV/EHV: HV Site Specific No Residual		0	2.476	0.095	0.011	45.41	3.51	3.51	0.032
LDNO 132kV/EHV: HV Site Specific Band 1		0	2.476	0.095	0.011	341.77	3.51	3.51	0.032
LDNO 132kV/EHV: HV Site Specific Band 2		0	2.476	0.095	0.011	729.18	3.51	3.51	0.032
LDNO 132kV/EHV: HV Site Specific Band 3		0	2.476	0.095	0.011	1592.07	3.51	3.51	0.032
LDNO 132kV/EHV: HV Site Specific Band 4		0	2.476	0.095	0.011	3024.39	3.51	3.51	0.032
LDNO 132kV/EHV: Unmetered Supplies		0, 1 or 8	12.593	0.689	0.343				
LDNO 132kV/EHV: LV Generation Aggregated		0	-4.298	-0.343	-0.034	0.00			
LDNO 132kV/EHV: LV Sub Generation Aggregated		0	-4.328	-0.322	-0.032	0.00			
LDNO 132kV/EHV: LV Generation Site Specific		0	-4.298	-0.343	-0.034	0.00			0.088
LDNO 132kV/EHV: LV Sub Generation Site Specific		0	-4.328	-0.322	-0.032	0.00			0.074
LDNO 132kV/EHV: HV Generation Site Specific		0	-4.880	-0.246	-0.027	51.25			0.112
LDNO 132kV: Domestic Aggregated or CT with Residual		1, 2 or 0	2.941	0.235	0.023	2.06			
LDNO 132kV: Domestic Aggregated (related MPAN)		2	2.941	0.235	0.023				
LDNO 132kV: Non-Domestic Aggregated or CT No Residual		3 to 8 or 0	2.877	0.229	0.023	2.23			
LDNO 132kV: Non-Domestic Aggregated or CT Band 1		3 to 8 or 0	2.877	0.229	0.023	2.61			
LDNO 132kV: Non-Domestic Aggregated or CT Band 2		3 to 8 or 0	2.877	0.229	0.023	3.77			
LDNO 132kV: Non-Domestic Aggregated or CT Band 3		3 to 8 or 0	2.877	0.229	0.023	5.34			
LDNO 132kV: Non-Domestic Aggregated or CT Band 4		3 to 8 or 0	2.877	0.229	0.023	9.78			
LDNO 132kV: Non-Domestic Aggregated (related MPAN)		4	2.877	0.229	0.023				
LDNO 132kV: LV Site Specific No Residual		0	1.787	0.127	0.013	2.21	1.50	1.50	0.029
LDNO 132kV: LV Site Specific Band 1		0	1.787	0.127	0.013	16.48	1.50	1.50	0.029
LDNO 132kV: LV Site Specific Band 2		0	1.787	0.127	0.013	27.82	1.50	1.50	0.029
LDNO 132kV: LV Site Specific Band 3		0	1.787	0.127	0.013	42.91	1.50	1.50	0.029
LDNO 132kV: LV Site Specific Band 4		0	1.787	0.127	0.013	92.40	1.50	1.50	0.029
LDNO 132kV: LV Sub Site Specific No Residual		0	1.925	0.097	0.010	2.92	2.17	2.17	0.027
LDNO 132kV: LV Sub Site Specific Band 1		0	1.925	0.097	0.010	27.08	2.17	2.17	0.027
LDNO 132kV: LV Sub Site Specific Band 2		0	1.925	0.097	0.010	46.28	2.17	2.17	0.027
LDNO 132kV: LV Sub Site Specific Band 3		0	1.925	0.097	0.010	71.84	2.17	2.17	0.027
LDNO 132kV: LV Sub Site Specific Band 4		0	1.925	0.097	0.010	155.63	2.17	2.17	0.027
LDNO 132kV: HV Site Specific No Residual		0	1.726	0.066	0.008	31.66	2.44	2.44	0.022
LDNO 132kV: HV Site Specific Band 1		0	1.726	0.066	0.008	238.24	2.44	2.44	0.022
LDNO 132kV: HV Site Specific Band 2		0	1.726	0.066	0.008	508.30	2.44	2.44	0.022
LDNO 132kV: HV Site Specific Band 3		0	1.726	0.066	0.008	1109.80	2.44	2.44	0.022
LDNO 132kV: HV Site Specific Band 4		0	1.726	0.066	0.008	2108.24	2.44	2.44	0.022
LDNO 132kV: Unmetered Supplies		0, 1 or 8	8.778	0.481	0.239				

Note: Where a tariff only has a p/kWh unit rate in Unit Charge 1 then this unit rate applies at all times.

Annex 4 - Charges applied to LDNOs with HV/LV end users

Tariff name	Unique billing identifier	PCs	Red/black unit charge p/kWh	Amber/yellow unit charge p/kWh	Green unit charge p/kWh	Fixed charge p/MPAN/day	Capacity charge p/kVA/day	Exceeded capacity charge p/kVA/day	Reactive power charge p/kVArh
LDNO 132kV: LV Generation Aggregated		0	-2.996	-0.239	-0.024	0.00			
LDNO 132kV: LV Sub Generation Aggregated		0	-3.017	-0.224	-0.022	0.00			
LDNO 132kV: LV Generation Site Specific		0	-2.996	-0.239	-0.024	0.00			0.061
LDNO 132kV: LV Sub Generation Site Specific		0	-3.017	-0.224	-0.022	0.00			0.052
LDNO 132kV: HV Generation Site Specific		0	-3.401	-0.172	-0.019	35.72			0.078
LDNO 0000: Domestic Aggregated or CT with Residual		1, 2 or 0	1.230	0.098	0.010	0.86			
LDNO 0000: Domestic Aggregated (related MPAN)		2	1.230	0.098	0.010				
LDNO 0000: Non-Domestic Aggregated or CT No Residual		3 to 8 or 0	1.204	0.096	0.009	0.93			
LDNO 0000: Non-Domestic Aggregated or CT Band 1		3 to 8 or 0	1.204	0.096	0.009	1.09			
LDNO 0000: Non-Domestic Aggregated or CT Band 2		3 to 8 or 0	1.204	0.096	0.009	1.58			
LDNO 0000: Non-Domestic Aggregated or CT Band 3		3 to 8 or 0	1.204	0.096	0.009	2.23			
LDNO 0000: Non-Domestic Aggregated or CT Band 4		3 to 8 or 0	1.204	0.096	0.009	4.09			
LDNO 0000: Non-Domestic Aggregated (related MPAN)		4	1.204	0.096	0.009				
LDNO 0000: LV Site Specific No Residual		0	0.747	0.053	0.005	0.92	0.63	0.63	0.012
LDNO 0000: LV Site Specific Band 1		0	0.747	0.053	0.005	6.89	0.63	0.63	0.012
LDNO 0000: LV Site Specific Band 2		0	0.747	0.053	0.005	11.64	0.63	0.63	0.012
LDNO 0000: LV Site Specific Band 3		0	0.747	0.053	0.005	17.95	0.63	0.63	0.012
LDNO 0000: LV Site Specific Band 4		0	0.747	0.053	0.005	38.66	0.63	0.63	0.012
LDNO 0000: LV Sub Site Specific No Residual		0	0.806	0.041	0.004	1.22	0.91	0.91	0.011
LDNO 0000: LV Sub Site Specific Band 1		0	0.806	0.041	0.004	11.33	0.91	0.91	0.011
LDNO 0000: LV Sub Site Specific Band 2		0	0.806	0.041	0.004	19.36	0.91	0.91	0.011
LDNO 0000: LV Sub Site Specific Band 3		0	0.806	0.041	0.004	30.05	0.91	0.91	0.011
LDNO 0000: LV Sub Site Specific Band 4		0	0.806	0.041	0.004	65.11	0.91	0.91	0.011
LDNO 0000: HV Site Specific No Residual		0	0.722	0.028	0.003	13.24	1.02	1.02	0.009
LDNO 0000: HV Site Specific Band 1		0	0.722	0.028	0.003	99.67	1.02	1.02	0.009
LDNO 0000: HV Site Specific Band 2		0	0.722	0.028	0.003	212.64	1.02	1.02	0.009
LDNO 0000: HV Site Specific Band 3		0	0.722	0.028	0.003	464.28	1.02	1.02	0.009
LDNO 0000: HV Site Specific Band 4		0	0.722	0.028	0.003	881.97	1.02	1.02	0.009
LDNO 0000: Unmetered Supplies		0, 1 or 8	3.672	0.201	0.100				
LDNO 0000: LV Generation Aggregated		0	-1.253	-0.100	-0.010	0.00			
LDNO 0000: LV Sub Generation Aggregated		0	-1.262	-0.094	-0.009	0.00			
LDNO 0000: LV Generation Site Specific		0	-1.253	-0.100	-0.010	0.00			0.026
LDNO 0000: LV Sub Generation Site Specific		0	-1.262	-0.094	-0.009	0.00			0.022
LDNO 0000: HV Generation Site Specific		0	-1.423	-0.072	-0.008	14.94			0.033

Note: Where a tariff only has a p/kWh unit rate in Unit Charge 1 then this unit rate applies at all times.

Annex 5 - Schedule of Line Loss Factors

This table has intentionally been left blank. The line loss factors that are approved by the BSC Panel for the applicable year and consequently published on the Elexon website will take precedence and be used in Settlement. This annex will be re-published once these values are available.

National Grid Electricity Distribution (South West) plc - Illustrative LLFs for year beginning 1 April 2027				
Time periods	Period 1	Period 2	Period 3	Period 4
	(Name 1)	(Name 2)	(Name 3)	(Name 4)
Monday to Friday Mar to Oct			00:00 - 06:30 23:30 - 24:00	06:30 - 23:30
Monday to Friday Nov to Feb	16:00 - 19:00	06:30 - 16:00	00:00 - 06:30 23:30 - 24:00	19:00 - 23:30
Saturday and Sunday All Year			00:00 - 06:30 23:30 - 24:00	06:30 - 23:30
Notes	All the above times are in UK Clock time			

Generic demand and generation LLFs					
Metered voltage, respective periods and associated LLFCs					
Metered voltage	Period 1	Period 2	Period 3	Period 4	Associated LLFC
132kV connected					
132/EHV connected					
132/HV connected					
EHV connected					
High Voltage Substation					
High Voltage Network					
Low Voltage Substation					
Low Voltage Network					

EHV site specific LLFs					
Demand					
Site	Period 1	Period 2	Period 3	Period 4	Associated LLFC
Site 1					
Site 2					
Site 3					
Site 4					
Site 5					

EHV site specific LLFs					
Generation					
Site	Period 1	Period 2	Period 3	Period 4	Associated LLFC
Site 1					
Site 2					
Site 3					
Site 4					
Site 5					

Annex 6 - New Designated EHV Properties. Addendum to Schedule of Charges for use of the Distribution System by Designated EHV Properties (including LDNOs with Designated EHV Properties/end-users).

National Grid Electricity Distribution (South West) plc - Effective from 1 April 2027 - Final new designated EHV charges															
Effective from date	Import Unique Identifier	LLFG/ DUoS Tariff Id	Import MPANs/MSIDs	Export Unique Identifier	LLFG/ DUoS Tariff Id	Export MPANs/MSIDs	Name	Residual Charging Band	Import Super Red unit charge (p/kWh)	Import fixed charge (p/day)	Import capacity charge (p/kVA/day)	Import exceeded capacity charge (p/kVA/day)	Export Super Red unit charge (p/kWh)	Export fixed charge (p/day)	Export capacity charge (p/kVA/day)
	EDCM import 1			EDCM export 1											
	EDCM import 2			EDCM export 2											
	EDCM import 3			EDCM export 3											
	EDCM import 4			EDCM export 4											
	EDCM import 5			EDCM export 5											
	EDCM import 6			EDCM export 6											
	EDCM import 7			EDCM export 7											
	EDCM import 8			EDCM export 8											
	EDCM import 9			EDCM export 9											
	EDCM import 10			EDCM export 10											

National Grid Electricity Distribution (South West) plc - Effective from 1 April 2027 - Final new designated EHV line loss factors															
Effective from date	Import Unique Identifier	LLFG/ DUoS Tariff Id	Import MPANs/MSIDs	Export Unique Identifier	LLFG/ DUoS Tariff Id	Export MPANs/MSIDs	Name	Residual Charging Band	Import LLF period 1	Import LLF period 2	Import LLF period 3	Import LLF period 4	Export LLF period 1	Export LLF period 2	Export LLF period 3
	EDCM Import 1			EDCM Export 1											
	EDCM Import 2			EDCM Export 2											
	EDCM Import 3			EDCM Export 3											
	EDCM Import 4			EDCM Export 4											
	EDCM Import 5			EDCM Export 5											
	EDCM Import 6			EDCM Export 6											
	EDCM Import 7			EDCM Export 7											
	EDCM Import 8			EDCM Export 8											
	EDCM Import 9			EDCM Export 9											
	EDCM Import 10			EDCM Export 10											

Note: The list of MPANs / MSIDs provided may be incomplete; the DNO reserves the right to apply the listed charges to any other MPANs / MSIDs associated with the site.

National Grid Electricity Distribution (South West) plc - Effective from 1 April 2027 - Final Supplier of Last Resort and Eligible Bad Debt Pass-Through Costs

Tariff name	Open LLFCs / LDNO unique billing identifier	PCs	Supplier of Last Resort Fixed charge adder* p/MPAN/day	Eligible Bad Debt Fixed charge adder*** p/MPAN/day
Domestic Aggregated or CT with Residual	10,20,30,40,202, L21,L22,L23,L24,D01, A21,A22,A23,A24	0, 1, 2	0.00	0.00
Non-Domestic Aggregated or CT No Residual	N10,N20,N30,L50,L60,L70,L80,X10,X20,X30,A50,A60,A70,A80	0, 3, 4, 5-8		0.00
Non-Domestic Aggregated or CT Band 1	1,2,3,110,203,210,L41,L42,L43,L44,X11,X21,X31,A51,A61,A71,A81	0, 3, 4, 5-8		0.00
Non-Domestic Aggregated or CT Band 2	N12,N22,N32,L52,L62,L72,L82,X12,X22,X32,A52,A62,A72,A82	0, 3, 4, 5-8		0.00
Non-Domestic Aggregated or CT Band 3	N13,N23,N33,L53,L63,L73,L83,X13,X23,X33,A53,A63,A73,A83	0, 3, 4, 5-8		0.00
Non-Domestic Aggregated or CT Band 4	N14,N24,N34,L54,L64,L74,L84,X14,X24,X34,A54,A64,A74,A84	0, 3, 4, 5-8		0.00
LV Site Specific No Residual	L00, LST	0		0.00
LV Site Specific Band 1	570	0		0.00
LV Site Specific Band 2	L02	0		0.00
LV Site Specific Band 3	L03	0		0.00
LV Site Specific Band 4	L04	0		0.00
LV Sub Site Specific No Residual	S00, SST	0		0.00
LV Sub Site Specific Band 1	540	0		0.00
LV Sub Site Specific Band 2	S02	0		0.00
LV Sub Site Specific Band 3	S03	0		0.00
LV Sub Site Specific Band 4	S04	0		0.00
HV Site Specific No Residual	H00, HST	0		0.00
HV Site Specific Band 1	510	0		0.00
HV Site Specific Band 2	H02	0		0.00
HV Site Specific Band 3	H03	0		0.00
HV Site Specific Band 4	H04	0		0.00
LDNO LV: Domestic Aggregated or CT with Residual	0	0, 1, 2	0.00	0.00
LDNO LV: Non-Domestic Aggregated or CT No Residual	0	0, 3, 4, 5-8		0.00
LDNO LV: Non-Domestic Aggregated or CT Band 1	0	0, 3, 4, 5-8		0.00
LDNO LV: Non-Domestic Aggregated or CT Band 2	0	0, 3, 4, 5-8		0.00
LDNO LV: Non-Domestic Aggregated or CT Band 3	0	0, 3, 4, 5-8		0.00
LDNO LV: Non-Domestic Aggregated or CT Band 4	0	0, 3, 4, 5-8		0.00
LDNO LV: LV Site Specific No Residual	0	0		0.00
LDNO LV: LV Site Specific Band 1	0	0		0.00
LDNO LV: LV Site Specific Band 2	0	0		0.00
LDNO LV: LV Site Specific Band 3	0	0		0.00
LDNO LV: LV Site Specific Band 4	0	0		0.00
LDNO HV: Domestic Aggregated or CT with Residual	0	0, 1, 2	0.00	0.00
LDNO HV: Non-Domestic Aggregated or CT No Residual	0	0, 3, 4, 5-8		0.00
LDNO HV: Non-Domestic Aggregated or CT Band 1	0	0, 3, 4, 5-8		0.00
LDNO HV: Non-Domestic Aggregated or CT Band 2	0	0, 3, 4, 5-8		0.00
LDNO HV: Non-Domestic Aggregated or CT Band 3	0	0, 3, 4, 5-8		0.00
LDNO HV: Non-Domestic Aggregated or CT Band 4	0	0, 3, 4, 5-8		0.00
LDNO HV: LV Site Specific No Residual	0	0		0.00

Annex 7 - Schedule of Charges to recover Excess Supplier of Last Resort pass-through costs

Tariff name	Open LLFCs / LDNO unique billing identifier	PCs	Supplier of Last Resort Fixed charge adder* p/MPAN/day	Eligible Bad Debt Fixed charge adder*** p/MPAN/day
LDNO HV: LV Site Specific Band 1	0	0		0.00
LDNO HV: LV Site Specific Band 2	0	0		0.00
LDNO HV: LV Site Specific Band 3	0	0		0.00
LDNO HV: LV Site Specific Band 4	0	0		0.00
LDNO HV: LV Sub Site Specific No Residual	0	0		0.00
LDNO HV: LV Sub Site Specific Band 1	0	0		0.00
LDNO HV: LV Sub Site Specific Band 2	0	0		0.00
LDNO HV: LV Sub Site Specific Band 3	0	0		0.00
LDNO HV: LV Sub Site Specific Band 4	0	0		0.00
LDNO HV: HV Site Specific No Residual	0	0		0.00
LDNO HV: HV Site Specific Band 1	0	0		0.00
LDNO HV: HV Site Specific Band 2	0	0		0.00
LDNO HV: HV Site Specific Band 3	0	0		0.00
LDNO HV: HV Site Specific Band 4	0	0		0.00
LDNO HVplus: Domestic Aggregated or CT with Residual	0	0, 1, 2	0.00	0.00
LDNO HVplus: Non-Domestic Aggregated or CT No Residual	0	0, 3, 4, 5-8		0.00
LDNO HVplus: Non-Domestic Aggregated or CT Band 1	0	0, 3, 4, 5-8		0.00
LDNO HVplus: Non-Domestic Aggregated or CT Band 2	0	0, 3, 4, 5-8		0.00
LDNO HVplus: Non-Domestic Aggregated or CT Band 3	0	0, 3, 4, 5-8		0.00
LDNO HVplus: Non-Domestic Aggregated or CT Band 4	0	0, 3, 4, 5-8		0.00
LDNO HVplus: LV Site Specific No Residual	0	0		0.00
LDNO HVplus: LV Site Specific Band 1	0	0		0.00
LDNO HVplus: LV Site Specific Band 2	0	0		0.00
LDNO HVplus: LV Site Specific Band 3	0	0		0.00
LDNO HVplus: LV Site Specific Band 4	0	0		0.00
LDNO HVplus: LV Sub Site Specific No Residual	0	0		0.00
LDNO HVplus: LV Sub Site Specific Band 1	0	0		0.00
LDNO HVplus: LV Sub Site Specific Band 2	0	0		0.00
LDNO HVplus: LV Sub Site Specific Band 3	0	0		0.00
LDNO HVplus: LV Sub Site Specific Band 4	0	0		0.00
LDNO HVplus: HV Site Specific No Residual	0	0		0.00
LDNO HVplus: HV Site Specific Band 1	0	0		0.00
LDNO HVplus: HV Site Specific Band 2	0	0		0.00
LDNO HVplus: HV Site Specific Band 3	0	0		0.00
LDNO HVplus: HV Site Specific Band 4	0	0		0.00
LDNO EHV: Domestic Aggregated or CT with Residual	0	0, 1, 2	0.00	0.00
LDNO EHV: Non-Domestic Aggregated or CT No Residual	0	0, 3, 4, 5-8		0.00
LDNO EHV: Non-Domestic Aggregated or CT Band 1	0	0, 3, 4, 5-8		0.00
LDNO EHV: Non-Domestic Aggregated or CT Band 2	0	0, 3, 4, 5-8		0.00
LDNO EHV: Non-Domestic Aggregated or CT Band 3	0	0, 3, 4, 5-8		0.00
LDNO EHV: Non-Domestic Aggregated or CT Band 4	0	0, 3, 4, 5-8		0.00
LDNO EHV: LV Site Specific No Residual	0	0		0.00
LDNO EHV: LV Site Specific Band 1	0	0		0.00
LDNO EHV: LV Site Specific Band 2	0	0		0.00
LDNO EHV: LV Site Specific Band 3	0	0		0.00
LDNO EHV: LV Site Specific Band 4	0	0		0.00
LDNO EHV: LV Sub Site Specific No Residual	0	0		0.00
LDNO EHV: LV Sub Site Specific Band 1	0	0		0.00
LDNO EHV: LV Sub Site Specific Band 2	0	0		0.00
LDNO EHV: LV Sub Site Specific Band 3	0	0		0.00
LDNO EHV: LV Sub Site Specific Band 4	0	0		0.00
LDNO EHV: HV Site Specific No Residual	0	0		0.00
LDNO EHV: HV Site Specific Band 1	0	0		0.00
LDNO EHV: HV Site Specific Band 2	0	0		0.00
LDNO EHV: HV Site Specific Band 3	0	0		0.00

Annex 7 - Schedule of Charges to recover Excess Supplier of Last Resort pass-through costs

Tariff name	Open LLFCs / LDNO unique billing identifier	PCs	Supplier of Last Resort Fixed charge adder* p/MPAN/day	Eligible Bad Debt Fixed charge adder*** p/MPAN/day
LDNO EHV: HV Site Specific Band 4	0	0		0.00
LDNO 132kV/EHV: Domestic Aggregated or CT with Residual	0	0, 1, 2	0.00	0.00
LDNO 132kV/EHV: Non-Domestic Aggregated or CT No Residual	0	0, 3, 4, 5-8		0.00
LDNO 132kV/EHV: Non-Domestic Aggregated or CT Band 1	0	0, 3, 4, 5-8		0.00
LDNO 132kV/EHV: Non-Domestic Aggregated or CT Band 2	0	0, 3, 4, 5-8		0.00
LDNO 132kV/EHV: Non-Domestic Aggregated or CT Band 3	0	0, 3, 4, 5-8		0.00
LDNO 132kV/EHV: Non-Domestic Aggregated or CT Band 4	0	0, 3, 4, 5-8		0.00
LDNO 132kV/EHV: LV Site Specific No Residual	0	0		0.00
LDNO 132kV/EHV: LV Site Specific Band 1	0	0		0.00
LDNO 132kV/EHV: LV Site Specific Band 2	0	0		0.00
LDNO 132kV/EHV: LV Site Specific Band 3	0	0		0.00
LDNO 132kV/EHV: LV Site Specific Band 4	0	0		0.00
LDNO 132kV/EHV: LV Sub Site Specific No Residual	0	0		0.00
LDNO 132kV/EHV: LV Sub Site Specific Band 1	0	0		0.00
LDNO 132kV/EHV: LV Sub Site Specific Band 2	0	0		0.00
LDNO 132kV/EHV: LV Sub Site Specific Band 3	0	0		0.00
LDNO 132kV/EHV: LV Sub Site Specific Band 4	0	0		0.00
LDNO 132kV/EHV: HV Site Specific No Residual	0	0		0.00
LDNO 132kV/EHV: HV Site Specific Band 1	0	0		0.00
LDNO 132kV/EHV: HV Site Specific Band 2	0	0		0.00
LDNO 132kV/EHV: HV Site Specific Band 3	0	0		0.00
LDNO 132kV/EHV: HV Site Specific Band 4	0	0		0.00
LDNO 132kV: Domestic Aggregated or CT with Residual	0	0, 1, 2	0.00	0.00
LDNO 132kV: Non-Domestic Aggregated or CT No Residual	0	0, 3, 4, 5-8		0.00
LDNO 132kV: Non-Domestic Aggregated or CT Band 1	0	0, 3, 4, 5-8		0.00
LDNO 132kV: Non-Domestic Aggregated or CT Band 2	0	0, 3, 4, 5-8		0.00
LDNO 132kV: Non-Domestic Aggregated or CT Band 3	0	0, 3, 4, 5-8		0.00
LDNO 132kV: Non-Domestic Aggregated or CT Band 4	0	0, 3, 4, 5-8		0.00
LDNO 132kV: LV Site Specific No Residual	0	0		0.00
LDNO 132kV: LV Site Specific Band 1	0	0		0.00
LDNO 132kV: LV Site Specific Band 2	0	0		0.00
LDNO 132kV: LV Site Specific Band 3	0	0		0.00
LDNO 132kV: LV Site Specific Band 4	0	0		0.00
LDNO 132kV: LV Sub Site Specific No Residual	0	0		0.00
LDNO 132kV: LV Sub Site Specific Band 1	0	0		0.00
LDNO 132kV: LV Sub Site Specific Band 2	0	0		0.00
LDNO 132kV: LV Sub Site Specific Band 3	0	0		0.00
LDNO 132kV: LV Sub Site Specific Band 4	0	0		0.00
LDNO 132kV: HV Site Specific No Residual	0	0		0.00
LDNO 132kV: HV Site Specific Band 1	0	0		0.00
LDNO 132kV: HV Site Specific Band 2	0	0		0.00
LDNO 132kV: HV Site Specific Band 3	0	0		0.00
LDNO 132kV: HV Site Specific Band 4	0	0		0.00
LDNO 0000: Domestic Aggregated or CT with Residual	0	0, 1, 2	0.00	0.00
LDNO 0000: Non-Domestic Aggregated or CT No Residual	0	0, 3, 4, 5-8		0.00
LDNO 0000: Non-Domestic Aggregated or CT Band 1	0	0, 3, 4, 5-8		0.00
LDNO 0000: Non-Domestic Aggregated or CT Band 2	0	0, 3, 4, 5-8		0.00
LDNO 0000: Non-Domestic Aggregated or CT Band 3	0	0, 3, 4, 5-8		0.00
LDNO 0000: Non-Domestic Aggregated or CT Band 4	0	0, 3, 4, 5-8		0.00
LDNO 0000: LV Site Specific No Residual	0	0		0.00

Annex 7 - Schedule of Charges to recover Excess Supplier of Last Resort pass-through costs

Tariff name	Open LLFCs / LDNO unique billing identifier	PCs	Supplier of Last Resort Fixed charge adder* p/MPAN/day	Eligible Bad Debt Fixed charge adder*** p/MPAN/day
LDNO 0000: LV Site Specific Band 1	0	0		0.00
LDNO 0000: LV Site Specific Band 2	0	0		0.00
LDNO 0000: LV Site Specific Band 3	0	0		0.00
LDNO 0000: LV Site Specific Band 4	0	0		0.00
LDNO 0000: LV Sub Site Specific No Residual	0	0		0.00
LDNO 0000: LV Sub Site Specific Band 1	0	0		0.00
LDNO 0000: LV Sub Site Specific Band 2	0	0		0.00
LDNO 0000: LV Sub Site Specific Band 3	0	0		0.00
LDNO 0000: LV Sub Site Specific Band 4	0	0		0.00
LDNO 0000: HV Site Specific No Residual	0	0		0.00
LDNO 0000: HV Site Specific Band 1	0	0		0.00
LDNO 0000: HV Site Specific Band 2	0	0		0.00
LDNO 0000: HV Site Specific Band 3	0	0		0.00
LDNO 0000: HV Site Specific Band 4	0	0		0.00

*Supplier of Last Resort pass-through costs allocated to all domestic tariffs with a fixed charge (including LDNO)

**Eligible Bad Debt pass-through costs allocated to all metered demand tariffs (including LDNO)